

point

Dishwasher

PODW56042W
PODW56042X
User Manual

LIFE MADE EASIER

GB

Thank you for purchasing your new POINT dishwasher. These operating instructions will help you use it properly and safely. We recommend that you spend some time reading this instruction manual in order that you fully understand all the operational features it offers. Read all the safety instructions carefully before use and keep this instruction manual for future reference.

NO

Takk for at du kjøpte din nye oppvaskmaskinen fra POINT. Denne bruksanvisningen vil hjelpe deg med å bruke den på en trygg og riktig måte. Vi anbefaler at du tar deg tid til å lese gjennom hele bruksanvisningen for å bli fortrolig med alle funksjonene som tilbys. Les alle sikkerhetsanvisningene nøye før bruk, og oppbevar bruksanvisningen for fremtidig referanse.

FI

Kiitos, kun valitsit uuden POINT-Astianpesukoneen. Nämä käyttöohjeet opastavat sinua käyttämään laitetta oikein ja turvallisesti. On suositeltavaa käyttää aikaa tämän käyttöoppaan lukemiseen, jotta ymmärrät täysin, mitä toiminnallisia ominaisuuksia tuote tarjoaa. Lue kaikki turvallisuusohjeet huolellisesti ennen laitteen käyttöä ja säilytä käyttöopas myöhempää käyttöä varten.

DK

Tak for købet af din nye opvaskemaskine fra POINT. Disse brugervejledninger hjælper dig med at bruge dette apparat rigtigt og sikkert. Vi anbefaler, at du læser denne brugervejledning, så du får en fuld forståelse af hvordan alle funktionerne virker. Læs sikkerhedsforskrifterne grundigt inden brug, og gem denne brugervejledning til senere brug.

SE

Tack för att du har köpt en ny diskmaskinen från POINT. Denna bruksanvisning hjälper dig att använda den på ett säkert och korrekt sätt. Vi rekommenderar att du tar dig tid att läsa igenom denna bruksanvisning för att till fullo förstå alla driftfunktioner som den erbjuder. Läs noga igenom alla säkerhetsinstruktioner före användning och spara bruksanvisningen för framtida bruk.

Instruction Manual – English	page	4	-	48
Bruksanvisning – Norsk	side	49	-	93
Käyttöopas - Suomi	sivu	94	-	138
Brugervejledning – Dansk	side	139	-	183
Bruksanvisning – Svenska	sida	184	-	228

GB

NO

FI

DK

SE

SAFETY INFORMATION

WARNING

When using your dishwasher, follow the precautions listed below:

- Installation and repair can only be carried out by a qualified technician.
- This appliance is intended to be used in household and similar applications such as:
 - staff kitchen areas in shops, offices and other working environments;
 - farm houses;
 - by clients in hotels, motels and other residential type environments;
 - bed and breakfast type environments.
- This appliance can be used by children aged 8 years and older and persons with reduced physical, sensory or mental capabilities or those lacking experience and knowledge if they are supervised or instructed on the safe use of the appliance and understand the hazards involved.
- Children shall not play with the appliance. Cleaning and user maintenance shall not be carried out by children without supervision (For EN60335-1). This appliance is not intended for use by persons (including children) with reduced physical, sensory or mental capabilities, or lack of experience and knowledge, unless they are supervised or instructed on the use

of the appliance by a person responsible for their safety (For IEC60335-1).

- Packaging material could be dangerous for children!
- This appliance is for indoor household use only. To protect against the risk of electrical shock, do not immerse the unit, mains power cable or plug in water or other liquid.
- Unplug before cleaning and performing maintenance on the appliance.
- Use a soft cloth moistened with mild soap, and then use a dry cloth to wipe it again.

Earthing Instructions

- This appliance must be earthed. In the event of a malfunction or breakdown, earthing will reduce the risk of an electric shock by providing a path of least resistance of electric current. This appliance is equipped with an earthing conductor plug.
- The plug must be plugged into an appropriate mains power outlet that is installed and earthed in accordance with all local codes and ordinances.
- Improper connection of the equipment-earthing conductor can result in the risk of an electric shock.
- Check with a qualified electrician or service representative if you are in doubt whether the appliance is properly grounded.
- Do not modify the plug provided with the appliance if it does not fit the outlet.

- Have a proper mains power outlet installed by a qualified electrician.
- Do not abuse, sit on, or stand on the door or dish rack of the dishwasher.
- Do not operate your dishwasher unless all enclosure panels are properly in place.
- Open the door very carefully if the dishwasher is operating, there is a risk of water squirting out.
- Do not place any heavy objects on or stand on the door when it is open. The appliance could tip forward.
- When loading items to be washed:
 1. Place sharp items well so that they are not likely to damage the door seal;
 2. Warning: Knives and other utensils with sharp points must be loaded in the basket with their points facing down or placed in a horizontal position.
- Some dishwasher detergents are strongly alkaline. They can be extremely dangerous if swallowed. Avoid contact with the skin and eyes and keep children away from the dishwasher when the door is open.
- Check that the detergent dispenser is empty after completion of the wash cycle.
- Do not wash plastic items unless they are marked "dishwasher safe" or the equivalent.
- For unmarked plastic items, check the manufacturer's recommendations.
- Use only detergent and rinse agents recommended for use in an automatic dishwasher.

- Never use soap, laundry detergent, or hand washing detergent in your dishwasher.
- The door should not be left open, since this could increase the risk of tripping.
- If the mains power cable is damaged, it must be replaced by the manufacturer or its service agent or a similarly qualified person in order to avoid a hazard.
- During installation, the power supply must not be excessively or dangerously bent or flattened.
- Do not tamper with controls.
- The appliance needs to be connected to the main water valve using new hose sets. Old sets should not be reused.
- To save energy, in standby mode, the appliance will switch off automatically while there is no any operation in 15 minutes.

The maximum number of place settings to be washed is 15.

The maximum permissible inlet water pressure is 1MPa.

The minimum permissible inlet water pressure is 0.04MPa.

Disposal

- For disposing of packaging and the appliance go to a recycling center, cut off the power supply cable and make the door closing device unusable.
- Cardboard packaging is manufactured from recycled

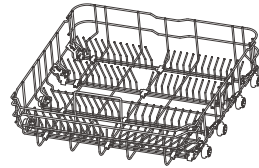
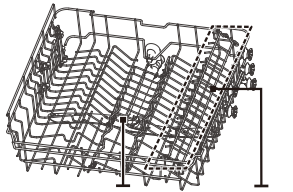
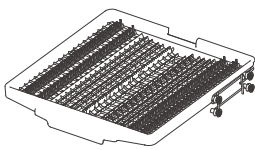
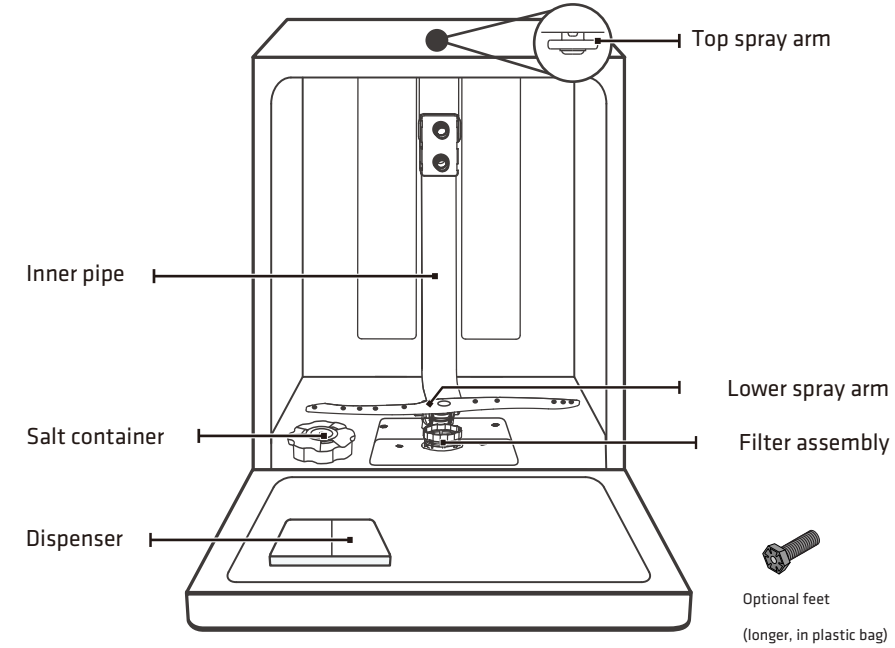
paper and should be disposed of in the waste paper collection for recycling.

- By ensuring this product is disposed of correctly, you will help prevent potential negative consequences for the environment and human health, which could otherwise be caused by inappropriate waste handling of this product.
- For more detailed information about recycling of this product, contact your local city office and your household waste disposal service.
- **DISPOSAL: Do not dispose this product as unsorted municipal waste. Collection of such waste separately for special treatment is necessary.**

PRODUCT OVERVIEW

IMPORTANT:

To get the best performance from your dishwasher, read all operating instructions before using it for the first time.

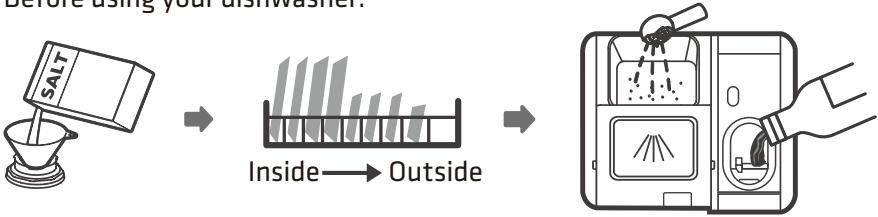


NOTE:

Pictures are only for reference, different models may be different. Preval in kind.

USING YOUR DISHWASHER

Before using your dishwasher:



1. Set the water softener
2. Load salt into the salt container
3. Load the basket
4. Fill the dispenser

NOTE:

Check the section “Water Softener” if you need to set the water softener.

Loading The Salt Into The Softener

NOTE:

If your model does not have a salt container for water softener, you may skip this section. Always use salt intended for dishwasher use. The salt container is located beneath the basket and should be filled as explained in the following:

WARNING

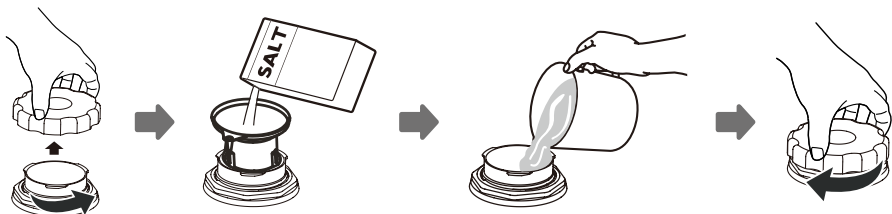
⚠ **Only use salt specifically designed for dishwashers use!**

Every other type of salt not specifically designed for dishwasher use, especially table salt, will damage the salt container. In case of damages caused by the use of unsuitable salt, the manufacturer does not give any warranty nor is liable for any damages caused.

⚠ **Only fill with salt before running a cycle.**

This will prevent any grains of salt or salty water, which may have been spilled, remaining on the bottom of the machine for any period of time, which may cause corrosion.

Follow the steps below for adding dishwasher salt:



1. Remove the basket and unscrew the reservoir cap.
2. Place the end of the funnel (supplied) into the hole and pour in about 1kg of dishwasher salt.
3. Before first wash, fill the salt container to its maximum limit with water. It is normal for a small amount of water to come out of the salt container.
4. After filling the container, screw back the cap tightly.
5. The salt warning light will stop blinking after the salt container has been filled with salt.
6. Immediately after filling the salt into the salt container, a washing program should be started (We suggest to use a short program). Otherwise the filter system, pump or other important parts of the machine may be damaged by salty water. This is out of warranty.

NOTE:

- ⌘ The salt container must only be refilled when the salt warning light (⊞) in the control panel comes on. Depending on how well the salt dissolves, the salt warning light may still be on even though the salt container is filled. If there is no salt warning light in the control panel (for some models), you can estimate when to fill the salt into the softener by the cycles that the dishwasher has run.
- ⌘ If salt has spilled, run a soak or quick program to remove it.

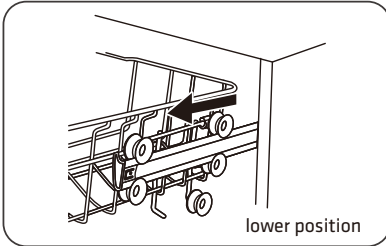
Basket Using Tips

Adjusting the upper basket

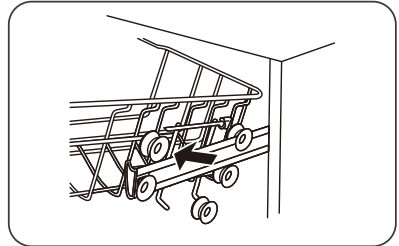
Type 1:

The height of the upper basket can be easily adjusted to accommodate taller dishes in either the upper or lower basket.

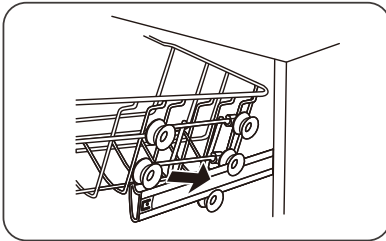
To adjust the height of the upper rack, follow these steps:



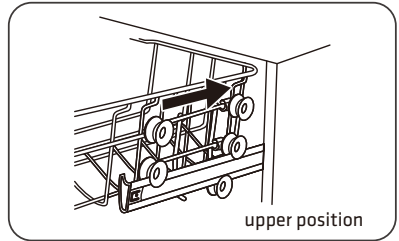
1 Pull out the upper basket.



2 Remove the upper basket.

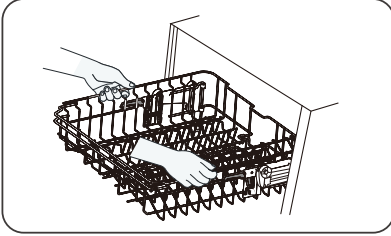


3 Re-attach the upper basket to upper or lower rollers.

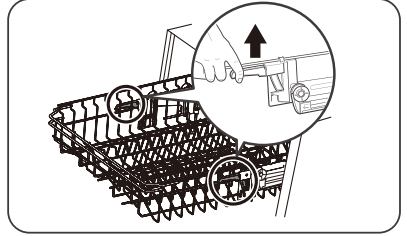


4 Push in the upper basket.

Type 2:



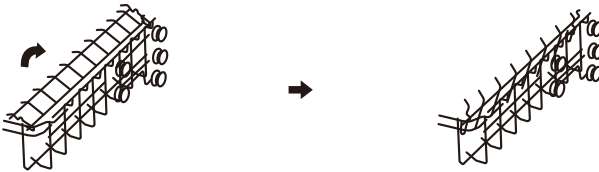
1 To raise the upper basket, just lift the upper basket at the center of each side until the basket locks into place in the upper position. It is not necessary to lift the adjuster handle.



2 To lower the upper basket, lift the adjuster handles on each side to release the basket and lower it to the lower position.

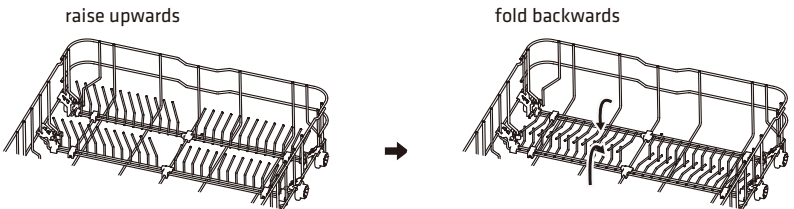
Folding back the cup shelves

To make room for taller items in the upper basket, raise the cup rack upwards. You can then lean the tall glasses against it. You can also remove it when it is not required for use.



Folding back the rack shelves

The spikes of the lower basket are used for holding plates and a platter. They can be lowered to make more room for large items.



MAINTENANCE AND CLEANING

External Care

The door and the door seal

Clean the door seals regularly with a soft damp cloth to remove food deposits. When the dishwasher is being loaded, food and drink residues may drip onto the sides of the dishwasher door. These surfaces are outside the wash cabinet and are not accessed by water from the spray arm. Any deposits should be wiped off before the door is closed.

The control panel

If cleaning is required, the control panel should be wiped with a soft damp cloth only.

WARNING

- ⌘ To prevent water from entering into the door lock and electrical components, do not use a spray cleaner of any kind.
- ⌘ Never use abrasive cleaners or scouring pads on the outer surfaces because they may scratch the finish. Some paper towels may also scratch or leave marks on the surface.

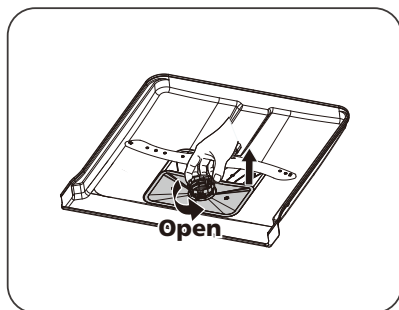
Internal Care

Filtering system

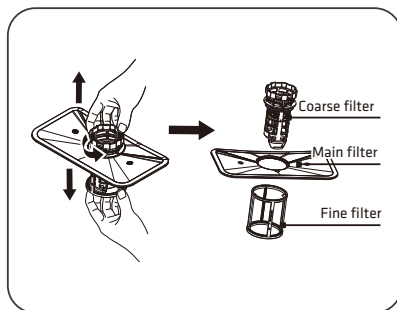
The filtering system in the base of the wash cabinet retains coarse debris from the washing cycle. The collected coarse debris may cause the filters to clog. Check the condition of the filters regularly and clean them if necessary under running water. Follow the steps below to clean the filters in the wash cabinet.

NOTE:

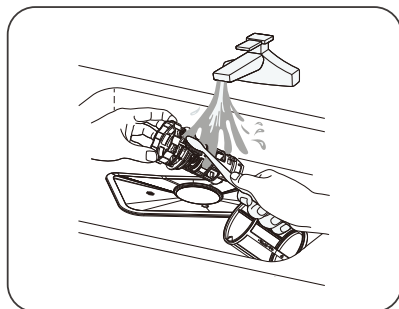
Pictures are only for reference, different models of the filtering system and spray arm may be different. Prevail in kind.



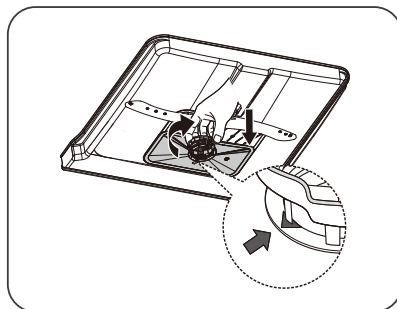
- 1 Hold the coarse filter and rotate it anticlockwise to unlock the filter. Lift the filter upwards and out of the dishwasher.



- 2 The fine filter can be pulled off the bottom of the filter assembly. The coarse filter can be detached from the main filter by gently squeezing the tabs at the top and pulling it away.



- 3 Larger food remnants can be cleaned by rinsing the filter under running water. For a more thorough clean, use a soft cleaning brush.



- 4 Reassemble the filters in the reverse order of the disassembly, replace the filter insert, and rotate clockwise to the close arrow.

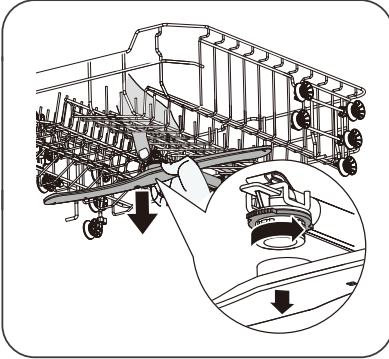
WARNING

- ⌘ Do not over tighten the filters. Put the filters back in sequence securely, otherwise coarse debris could get into the system and cause a blockage.
- ⌘ Never use the dishwasher without filters in place. Improper replacement of the filter may reduce the performance level of the appliance and damage dishes and utensils.

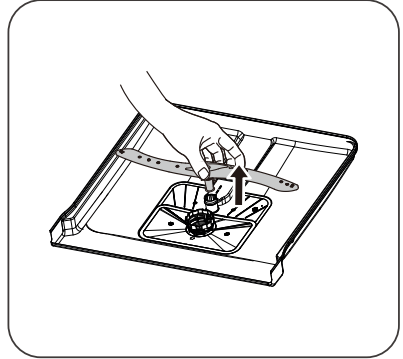
Spray arms

It is necessary to clean the spray arms regularly for hard water chemicals will clog the spray arm jets and bearings.

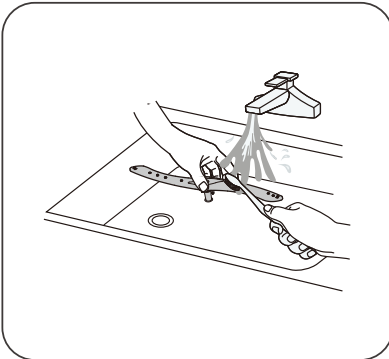
To clean the spray arms, follow the instructions below:



1 To remove the upper spray arm, hold the nut in the center still and rotate the spray arm counterclockwise to remove it.



2 To remove the lower spray arm, pull out the spray arm upward.



3 Wash the arms in soapy and warm water and use a soft brush to clean the jets. Replace them after rinsing them thoroughly.

Caring For The Dishwasher

Frost precaution

Take frost protection measures on the dishwasher in winter. After every washing cycle, operate as follows:

1. Cut off the electrical power to the dishwasher at the supply source.
2. Turn off the water supply and disconnect the water inlet pipe from the water valve.
3. Drain the water from the inlet pipe and water valve. (Use a pan to gather the water)
4. Reconnect the water inlet pipe to the water valve.
5. Remove the filter at the bottom of the tub and use a sponge to soak up water in the sump.

After every wash

After every wash, turn off the water supply to the appliance and leave the door slightly open so that moisture and odors are not trapped inside.

Remove the plug

Before cleaning or performing maintenance, always remove the plug from the mains power socket.

No solvents or abrasive cleaning

To clean the exterior and rubber parts of the dishwasher, do not use solvents or abrasive cleaning products. Only use a cloth with warm soapy water. To remove spots or stains from the surface of the interior, use a cloth dampened with water with a little vinegar, or a cleaning product made specifically for dishwashers.

When not in use for a long time

It is recommended that you run a wash cycle with the dishwasher empty and then remove the plug from the mains power socket, turn off the water supply and leave the door of appliance slightly open. This will help the door seals to last longer and prevent odors from forming within the appliance.

Moving the appliance

If the appliance must be moved, try to keep it in the vertical position. If absolutely necessary, it can be positioned on its back.

Seals

One of the factors that cause odours to form in the dishwasher is food that remains trapped in the seals. Periodic cleaning with a damp sponge will prevent this from occurring.

INSTALLATION INSTRUCTION

WARNING



Electrical Shock Hazard

Disconnect electrical power before installing dishwasher.
Failure to do so could result in death or electrical shock.

Attention

The installation of the pipes and electrical equipments should be done by professionals.

About Power Connection

WARNING

For personal safety:

Do not use an extension cord or an adapter plug with this appliance.⌘
Do not, under any circumstances, cut or remove the earthing connection from the cable.

Electrical requirements

Look at the rating label to know the rating voltage and connect the dishwasher to the appropriate power supply. Use the required fuse 10A/13A/16A, time delay fuse or circuit breaker recommended and provide separate circuit serving only this appliance.

Electrical connection

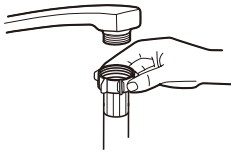
Ensure the voltage and frequency of the power being corresponds to those on the rating plate. Only insert the plug into an electrical socket which is earthed properly. If the electrical socket to which the appliance must be connected is not appropriate for the plug, replace the socket, rather than using an adaptor or the like as they could cause overheating and burns. Ensure that proper earthing exists before use.

Water Supply And Drain

Cold water connection

Connect the cold water supply hose to a threaded 3/4(inch) connector and make sure that it is fastened tightly in place.

If the water pipes are new or have not been used for an extended period of time, let the water run to make sure that the water is clear. This precaution is needed to avoid the risk of the water inlet to be blocked and damage the appliance.



ordinary supply hose



safety supply hose

About the safety supply hose

The safety supply hose consists of the double walls. The hose's system guarantees its intervention by blocking the flow of water in case of the supply hose breaking and when the air space between the supply hose itself and the outer corrugated hose is full of water.

WARNING

A hose that attaches to a sink spray can burst if it is installed on the same water line as the dishwasher. If your sink has one, it is recommended that the hose be disconnected and the hole plugged.

How to connect the safety supply hose

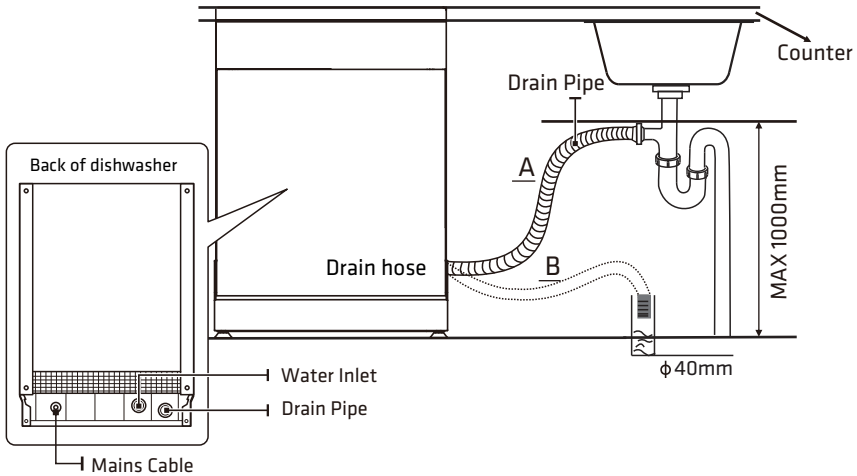
1. Pull the safety supply hoses completely out from storage compartment located at rear of dishwasher.
2. Tighten the screws of the safety supply hose to the faucet with thread 3/4inch.
3. Turn water fully on before starting the dishwasher.

How to disconnect the safety supply hose

1. Turn off the water.
2. Unscrew the safety supply hose from the faucet.

Connection Of Drain Hoses

Insert the drain hose into a drain pipe with a minimum diameter of 4 cm, or let it run into the sink, making sure to avoid bending or crimping it. The height of drain pipe must be less than 600mm. The free end of the hose must not be immersed in water to avoid any back flow occurring. Securely fix the drain hose in either position A or position B.



How to drain excess water from hoses

If the sink is 1000mm higher from the floor, the excess water in hoses cannot be drained directly into the sink. It will be necessary to drain excess water from hoses into a bowl or suitable container that is held outside and lower than the sink.

Water outlet

Connect the water drain hose. The drain hose must be correctly fitted to avoid water leaks. Ensure that the water drain hose is not kinked or squashed.

Extension hose

If you need a drain hose extension, make sure to use a similar drain hose. It must be no longer than 4 meters; otherwise the cleaning effect of the dishwasher could be reduced.

Syphon connection

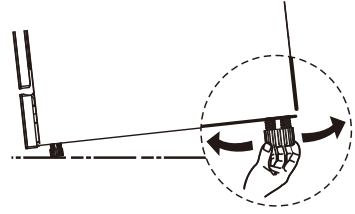
The waste connection must be at a height less than 100 cm (maximum) from the bottom of the dishwasher. The water drain hose should be fixed.

Position The Appliance

Position the appliance in the desired location. The back should rest against the wall behind it, and the sides, along the adjacent cabinets or walls. The dishwasher is equipped with water supply and drain hoses that can be positioned either to the right or the left sides to facilitate proper installation.

Levelling the appliance

Once the appliance is positioned for levelling, the height of the dishwasher may be altered via adjustment of the screwing level of the feet. In any case, the appliance should not be inclined more than 2°.



NOTE:

Only applies to the free-standing dishwasher.

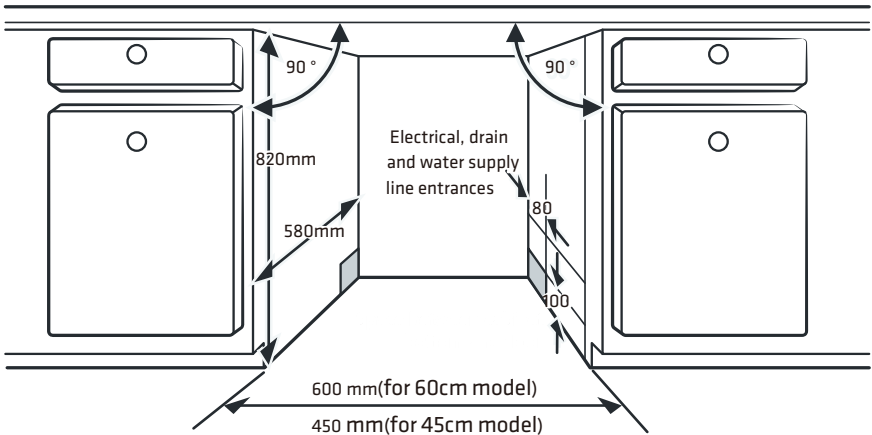
Built-In Installation (for the integrated model)

Step 1. Selecting the best location for the dishwasher

The installation position of dishwasher should be near the existing inlet and drain hoses and power cord.

Illustrations of cabinet dimensions and installation position of the dishwasher.

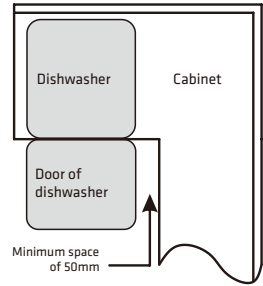
1. Less than 5 mm between the top of dishwasher and cabinet and the outer door aligned to cabinet.



2. If dishwasher is installed at the corner of the cabinet, there should be some space when the door is opened.

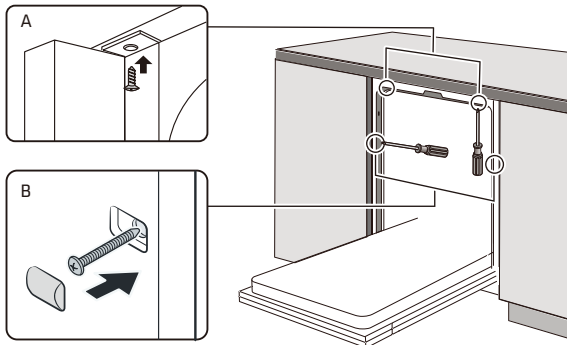
NOTE:

Depending on where your electrical outlet is, you may need to cut a hole in the opposite cabinet side.



Step 2. Dishwasher installation steps

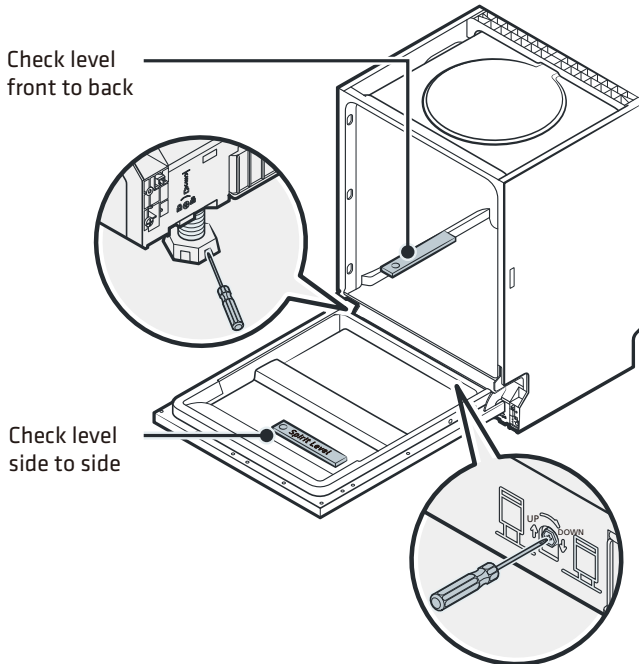
1. Affix the condensation strip under the work surface of cabinet. Please ensure the condensation strip is flush with edge of work surface.
2. Connect the inlet hose to the cold water supply.
3. Connect the drain hose.
4. Connect the power cord.
5. Place the dishwasher into position.
6. Level the dishwasher. The rear foot can be adjusted from the front of the dishwasher by turning the Philips screw in the middle of the base of dishwasher using an Philips screw. To adjust the front feet, use a flat screw driver and turn the front feet until the dishwasher is level.
7. Adjust the tension of the door springs by using an Allen key turning in a clockwise motion to tighten the left and right door springs. Failure to do this could cause damage to your dishwasher.
8. The dishwasher must be secured in place. There are two ways to do this:
 - A. Normal work surface: Put the installation hook into the slot of the side plane and secure it to the work surface with the wood screws.
 - B. Marble or granite work top: Fix the side with screw.



Step 3. Levelling the dishwasher

Dishwasher must be level for proper dish rack operation and wash performance.

1. Place a spirit level on door and rack track inside the tub as shown to check that the dishwasher is level.
2. Level the dishwasher by adjusting the three levelling legs individually.
3. When level the dishwasher, please pay attention not to let the dishwasher tip over.



NOTE:

The maximum adjustment height of the feet is 70 mm.

TROUBLESHOOTING TIPS

Before Calling For Service

Reviewing the charts on the following pages may save you from calling for service.

Problem	Possible Causes	What To Do
Dishwasher doesn't start	Fuse blown, or the circuit break tripped.	Replace fuse or reset circuit breaker. Remove any other appliances sharing the same circuit with the dishwasher.
	Power supply is not turned on.	Make sure the dishwasher is turned on and the door is closed securely. Make sure the power cord is properly plugged into the wall socket.
	Water pressure is low.	Check that the water supply is connected properly and the water is turned on.
	Door of dishwasher is not properly closed.	Make sure to close the door properly and latch it.
Water not pumped from dishwasher	Twisted or trapped drain hose.	Check the drain hose.
	Filter clogged.	Check the coarse filter.
	Kitchen sink clogged.	Check the kitchen sink to make sure it is draining well. If the problem is the kitchen sink that is not draining, you may need a plumber rather than a serviceman for dishwashers.
Suds in the tub	Wrong detergent.	Use only the special dishwasher detergent to avoid suds. If this occurs, open the dishwasher and let suds evaporate. Add 1 gallon of cold water to the bottom of the dishwasher. Close the dishwasher door, then select any cycle. Initially, the dishwasher will drain out the water. Open the door after draining stage is complete and check if the suds have disappeared. Repeat if necessary.

Problem	Possible Causes	What To Do
	Spilled rinse-aid.	Always wipe up rinse-aid spills immediately.
Stained tub interior	Detergent with colourant may have been used.	Make sure that the detergent has no colourant.
White film on inside surface	Hard water minerals.	To clean the interior, use a damp sponge with dishwasher detergent and wear rubber gloves. Never use any other cleaner than dishwasher detergent, otherwise, it may cause foaming or suds.
There are rust stains on cutlery	The affected items are not corrosion resistant.	Avoid washing items that are not corrosion resistant in the dishwasher.
	A program was not run after dishwasher salt was added. Traces of salt have gotten into the wash cycle.	Always run a wash program without any crockery after adding salt. Do not select the Turbo function (if present) after adding dishwasher salt.
	The lid of the softener is loose.	Check the softener lid is secure.
Knocking noise in the dishwasher	A spray arm is knocking against an item in a basket.	Interrupt the program and rearrange the items which are obstructing the spray arm.
Rattling noise in the dishwasher	Items of crockery are loose in the dishwasher.	Interrupt the program and rearrange the items of crockery.
Knocking noise in the water pipes	This may be caused by on-site installation or the cross-section of the piping.	This has no influence on the dishwasher function. If in doubt, contact a qualified plumber.
The dishes are not clean	The dishes were not loaded correctly.	See "Preparing And Loading Dishes".
	The program was not powerful enough.	Select a more intensive program.

Problem	Possible Causes	What To Do
The dishes are not clean	Not enough detergent was dispensed.	Use more detergent, or change your detergent.
	Items are blocking the movement of the spray arms.	Rearrange the items so that the spray can rotate freely.
	The filter combination is not clean or is not correctly fitted in the base of wash cabinet. This may cause the spray arm jets to get blocked.	Clean and/or fit the filter correctly. Clean the spray arm jets.
Cloudiness on glassware	Combination of soft water and too much detergent.	Use less detergent if you have soft water and select a shorter cycle to wash the glassware and to get them clean.
White spots appear on dishes and glasses	Hard water area can cause limescale deposits.	Check water softener settings or fill status of salt container.
Black or grey marks on dishes	Aluminium utensils have rubbed against dishes.	Use a mild abrasive cleaner to eliminate those marks.
Detergent left in dispenser	Dishes block detergent dispenser.	Re-loading the dishes properly.
The dishes aren't drying	Improper loading.	Use gloves if detergent residue can be found on dishes to avoid skin irritations.
	Dishes are removed too soon.	Do not empty your dishwasher immediately after washing. Open the door slightly so that the steam can come out. Take out the dishes until the inside temperature is safe to touch. Unload the lower basket first to prevent the dropping water from the upper basket.

Problem	Possible Causes	What To Do
The dishes aren't drying	Wrong program has been selected.	With a short program, the washing temperature is lower, decreasing cleaning performance. Choose a program with a long washing time.
	Use of cutlery with a low-quality coating.	Water drainage is more difficult with these items. Cutlery or dishes of this type are not suitable for washing in the dishwasher.

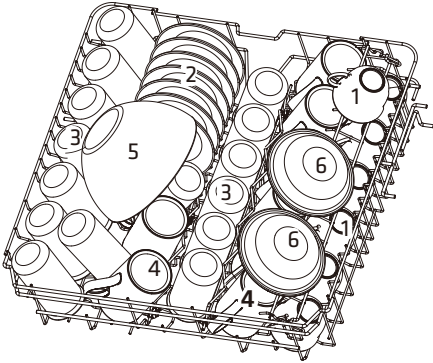
WARNING

Self-repair or non-professional repair may cause serious risks to the safety of the user of the appliance and impact warranty.

LOADING THE BASKETS ACCORDING TO EN60436:

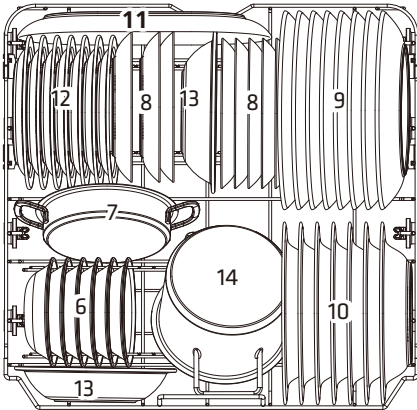
Basket:

Upper basket:



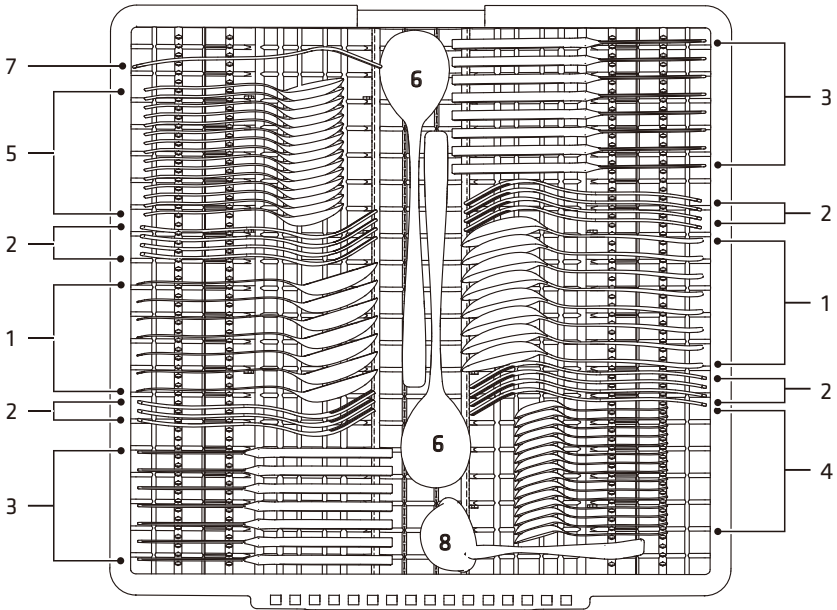
Number	Item
1	Cups
2	Saucers
3	Glasses
4	Mugs
5	Glass bowl
6	Dessert bowls

Lower basket:

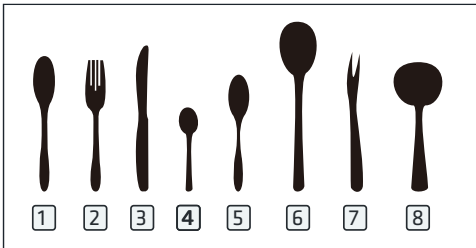


Number	Item
7	Oven pot
8	Dessert plates
9	Dinner plates
10	Soup plates
11	Oval platter
12	Melamine dessert plates
13	Melamine bowls
14	Small pot

Cutlery basket:



GB

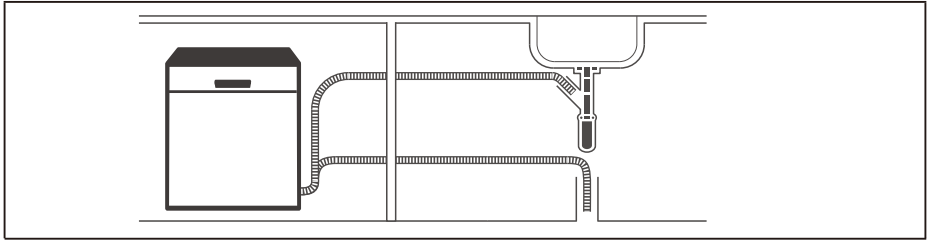


Number	Item
1	Soup spoons
2	Forks
3	Knives
4	Tea spoons
5	Dessert spoons
6	Serving spoons
7	Serving fork
8	Gravy ladle

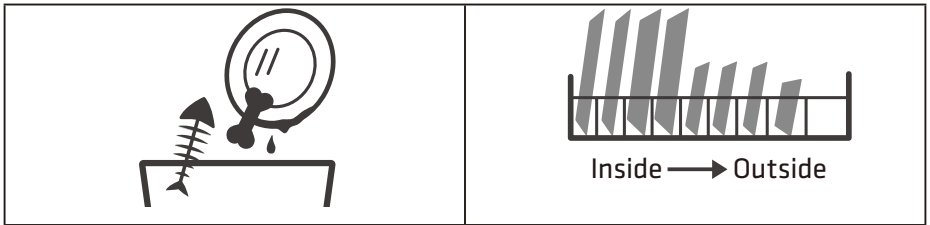
Information for comparability tests in accordance with EN60436:
 Capacity: 15 place settings
 Position of the upper basket: lower position
 Program: ECO
 Rinse aid setting: Max
 Softener setting: H3

QUICK USER GUIDE

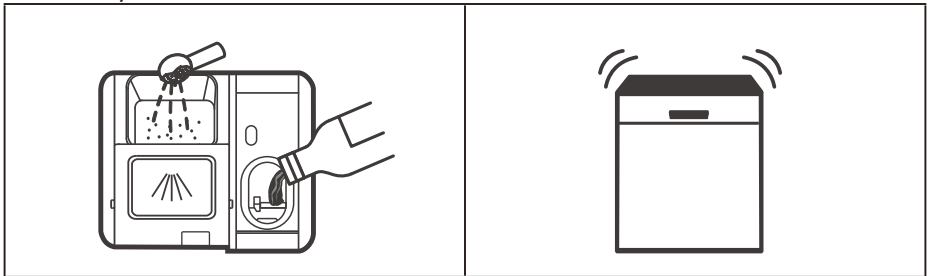
Read the corresponding content on the instruction manual for detailed operating method.



- 1. Install the dishwasher
(Check the section "INSTALLATION INSTRUCTION".)



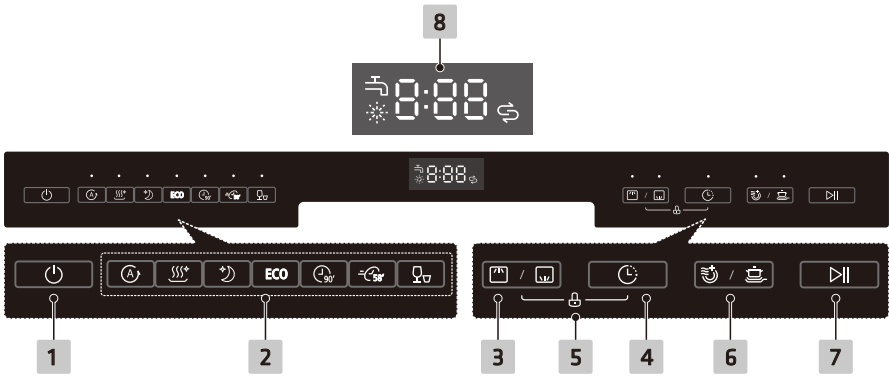
- 2. Remove large residue on the cutlery
- 3. Loading the baskets




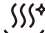


- 4. Filling the dispenser
- 5. Selecting a program and running the dishwasher

USING YOUR DISHWASHER

Control Panel









Operation (Button)




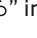

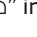
1 Power	Press this button to power on or power off your dishwasher.
2 Program	<p>Press the buttons to select the appropriate washing program, the selected program indicator will be lit.</p> <p> Auto For lightly, normally or heavily soiled crockery with or without dried-on food.</p> <p> Hygiene 72° This program increases the water temperature to 72°C for high-temperature sanitization.</p> <p> Whisper Lower noise and normal energy consumption, used for washing in evening.</p> <p>ECO ECO This is the standard program suitable for normally soiled loads, such as pots, plates, glasses and lightly soiled pans.</p> <p> 90' For normally soiled loads that need 90 min wash.</p>

GB

Display

<p>2 Program</p>	<p> 58 min For normally soiled loads that need 58 min wash.</p> <p> Rapid A shorter wash for lightly soiled loads that do not need drying.</p>
<p>3 Alt</p>	<p>Press the button to select either upper basket or lower basket loaded, and the response indicators will be lit.</p> <p> Upper When you select Upper, only the dishes in the upper rack will be washed. The spray system of the lower basket will not operate.</p> <p> Lower When you select Lower, only the dishes in the lower rack will be washed. The spray system of the upper basket will not operate.</p>
<p>4 Delay</p>	<p>Press this button to set the delayed hours for washing. You can delay the start of washing up to 24 hours.</p>
<p>5 Child lock</p>	<p>This option allows you to lock the buttons on the control panel - except the Power button - so children cannot accidentally start the dishwasher by pressing the buttons on the panel. To lock or unlock the buttons on the control panel, press and hold the Alt button+delay button for 3 seconds simultaneously.</p>
<p>6 Function</p>	<p>Press the button to select a function, corresponding indicator will be lit. Two functions cannot be selected at the same time.</p> <p> Extra Cleaning To wash very dirty, hard to clean dishes. (It can not be used with Auto and Rapid)</p> <p> Extra Drying To dry dishes more completely. (It can not be used with Auto, Whisper and Rapid)</p>
<p>7 Start/Pause</p>	<p>To start the selected washing program or pause it when the dishwasher is working.</p>

Display

8 Screen	<p> Rinse Aid If the “” indicator is lit, it means the dishwasher is low on dishwasher rinse aid and requires a refill.</p> <p> Salt If the “” indicator is lit, it means the dishwasher is low on dishwasher salt and needs to be refilled.</p> <p> Water Faucet If the “” indicator is lit, it means the water faucet is closed.</p>
	<p>8:88 To show the remaining program time and delay time, error code etc.</p>

Water Softener

The water softener must be set manually, using the water hardness dial. The water softener is designed to remove minerals and salts from the water, which would have a detrimental or adverse effect on the operation of the appliance. The more minerals there are, the harder your water is. The softener should be adjusted according to the hardness of the water in your area. Your local Water Authority can advise you on the hardness of the water in your area.

Adjusting salt consumption

The dishwasher is designed to allow for adjustment in the amount of salt consumed based on the hardness of the water used. This is intended to optimise and customize the level of salt consumption.

Follow the steps below for adjustment in salt consumption.

1. Switch on the appliance.
2. Within 60 seconds after the appliance was switched on, press the Rapid button for more than 5 seconds to enter the water softener setting mode.
3. Press the Rapid button again to select the proper set according to your local environment, the setting will change in the following sequence: H3->H4->H5->H6->H1->H2->H3.
4. Press the Power button to end the setting mode.

WATER HARDNESS				Water softener level	Regeneration occurs every X program sequence ¹⁾	Salt consumption (gram/cycle)
German °dH	French °fH	British °Clarke	Mmol/l			
0 - 5	0 - 9	0 - 6	0 - 0.94	H1	No regeneration	0
6 - 11	10 - 20	7 - 14	1.0 - 2.0	H2	10	9
12 - 17	21 - 30	15 - 21	2.1 - 3.0	H3	5	12
18 - 22	31 - 40	22 - 28	3.1 - 4.0	H4	3	20
23 - 34	41 - 60	29 - 42	4.1 - 6.0	H5	2	30
35 - 55	61 - 98	43 - 69	6.1 - 9.8	H6	1	60

$1^{\circ}\text{dH}=1.25$ $^{\circ}\text{Clarke}=1.78$ $^{\circ}\text{fH}=0.178\text{mmol/l}$

The factory setting: H3

- 1) Every cycle with a regeneration operation consumes additional 2.0 litres of water, the energy consumption increases by 0.02 kWh and the program extends by 4 minutes.

Note:

Check the section “Loading The Salt Into The Softener” if your dishwasher lacks salt.

NOTE:

If your model does not have any water softener, you may skip this section.

The hardness of the water varies from place to place. If hard water is used in the dishwasher, deposits will form on the dishes and utensils.

The appliance is equipped with a special softener that uses a salt container specifically designed to eliminate lime and minerals from the water.

Preparing And Loading Dishes

- ⌘ Consider buying utensils which are identified as dishwasher-proof.
- ⌘ For particular items, select a program with the lowest possible temperature.
- ⌘ To prevent damage, do not take glass and cutlery out of the dishwasher immediately after the program has ended.

For washing the following cutlery/dishes**Not suitable:**

- ⌘ Cutlery with wooden, horn china or mother-of-pearl handles
- ⌘ Plastic items that are not heat resistant
- ⌘ Older cutlery with glued parts that are not temperature resistant
- ⌘ Bonded cutlery items or dishes
- ⌘ Pewter or copper items
- ⌘ Crystal glass
- ⌘ Steel items subject to rusting
- ⌘ Wooden platters
- ⌘ Items made from synthetic fibres

Limited suitability:

- ⌘ Some types of glasses can become dull after a large number of washes
- ⌘ Silver and aluminum parts have a tendency to discolour during washing
- ⌘ Glazed patterns may fade if machine washed frequently

Recommendations for loading the dishwasher

Scrape off any large amounts of leftover food. Soften remnants of burnt food in pans. It is not necessary to rinse the dishes under running water. For best performance of the dishwasher, follow these loading guidelines.

(Features and appearance of baskets and cutlery baskets may vary from your model.)

Place objects in the dishwasher in following way:

- ⌘ Items such as cups, glasses, pots/pans, etc. are faced downwards.
- ⌘ Curved items, or ones with recesses, should be loaded at a slant so that water can run off.
- ⌘ All utensils are stacked securely and cannot tip over.
- ⌘ All utensils are placed in the way that the spray arms can rotate freely during washing.
- ⌘ Load hollow items such as cups, glasses, pans etc. with the opening facing downwards so that water cannot collect in the container or a deep base.
- ⌘ Dishes and items of cutlery must not lie inside one another, or cover each other.
- ⌘ To avoid damage, glasses should not touch one another.
- ⌘ Long bladed knives stored in an upright position are a potential hazard!
- ⌘ Long or sharp items of cutlery such as carving knives must be positioned horizontally in the basket.
- ⌘ Do not overload your dishwasher. This is important for good results and for reasonable consumption of energy.

Note:

Very small items should not be washed in the dishwasher as they could easily fall out of the basket.

Removing the dishes

To prevent water dripping from the upper basket into the lower basket, we recommend that you empty the lower basket first, followed by the upper basket.

WARNING



Items will be hot! To prevent damage, do not take glass and cutlery out of the dishwasher within 15 minutes after the program has ended.

Loading the upper basket

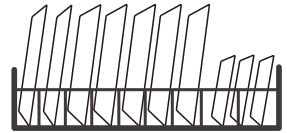
The upper basket is designed to hold more delicate and lighter dishware such as glasses, coffee and tea cups and saucers, as well as plates, small bowls and shallow pans (as long as they are not too dirty). Position the dishes and cookware so that they will not get moved by the spray of water.



Loading the lower basket

We suggest that you place large and difficult to clean items into the lower basket: such as pots, pans, lids, serving dishes and bowls, as shown in the figure on the right. It is preferable to place serving dishes and lids on the side of the racks in order to avoid blocking the rotation of the top spray arm.

The maximum diameter advised for plates in front of the detergent dispenser is 19 cm, to not hamper the opening of it.



Loading the cutlery basket

Cutlery should be placed in the cutlery basket separate from each other in the appropriate positions. Avoid nesting of the cutlery to prevent insufficient cleaning performance.

WARNING



Do not let any item extend through the bottom.
Always load sharp utensils with the sharp point down!

Function Of The Rinse Aid And Detergent

The rinse aid is released during the final rinse to prevent water from forming droplets on your dishes, which can leave spots and streaks. It also improves drying by allowing water to roll off the dishes. Your dishwasher is designed to use liquid rinse aids.

WARNING

Only use branded rinse aid for dishwasher. Never fill the rinse aid dispenser with any other substances (e.g. Dishwasher cleaning agent, liquid detergent). This would damage the appliance.

When to refill the rinse aid dispenser

The regularity of the dispenser needing to be refilled depends on how often dishes are washed and the rinse aid setting used.

⌘ The Low Rinse Aid indicator (⌘) will be lit when more rinse aid is needed.

⌘ Do not overfill the rinse aid dispenser.

Function of detergent

The chemical ingredients that compose the detergent are necessary to remove, crush and dispense all dirt out of the dishwasher. Most of the commercial quality detergents are suitable for this purpose.

WARNING

Proper Use of Detergent

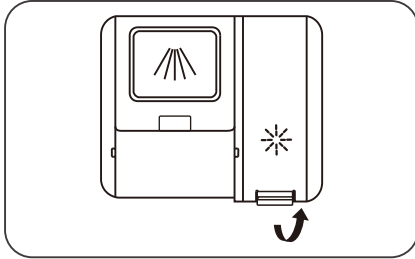
Use only detergent specifically made for dishwashers use. Keep your detergent fresh and dry.

Do not fill detergent into the dispenser until you are ready to start the dishwasher.

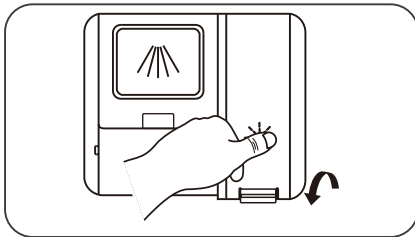


Dishwasher detergent is corrosive! Keep dishwasher detergent out of the reach of children.

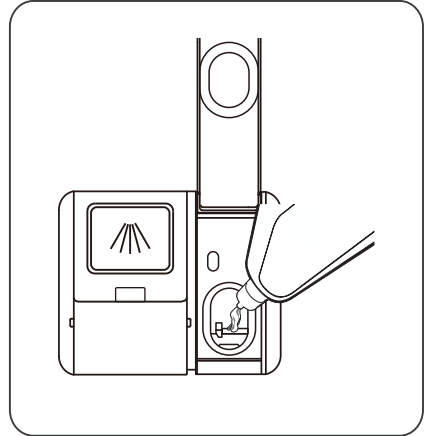
Filling The Rinse Aid Reservoir



- 1 Remove the rinse reservoir cap by lifting up the handle .



- 3 Close the cap in the end.



- 2 Pour the rinse aid into the dispenser, being careful not to overfill.

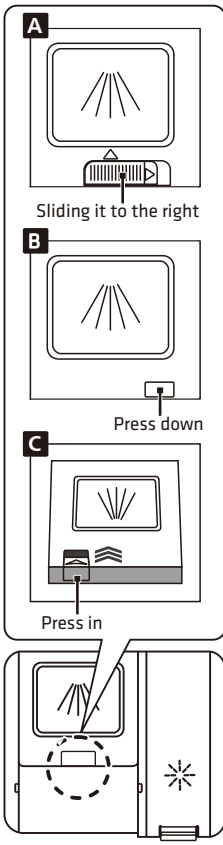
Adjusting the rinse aid reservoir

To achieve a better drying performance with limited rinse aid, the dishwasher is designed to adjust the consumption by user. Follow below steps:

1. Close the door, switch on the appliance.
2. After the appliance was switched on, press the Rapid button for more than 5 seconds within 60 seconds, and then press the Delay button to enter the set mode, the rinse aid indication blinks as 1Hz frequency.
3. Press the Rapid button again to select the proper set according to your using habits, the setting will change in the following sequence: d3->d4->d5->d1->d2->d3. The higher the number, the more rinse aid the dishwasher uses.
4. Without operation in 5 seconds or press the Power button to complete the setup and exit the setting mode.

Filling The Detergent Dispenser

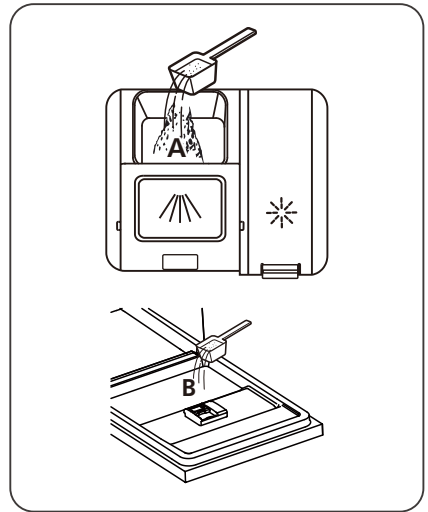
Three ways to open the cover:



- 1 Please choose an open way according to the actual situation.
 - A. Open the cap by sliding the release latch.
 - B. Open the cap by pressing down the release latch.
 - C. Open the cap by pressing in the release latch.

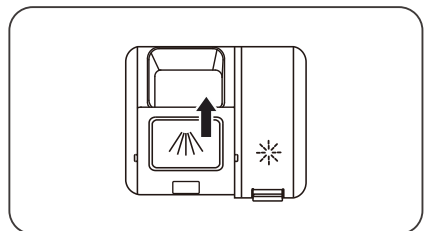
NOTE:

Please observe the manufacturer's recommendations on the detergent packaging.



- 2 Add detergent into the larger cavity (A) for main wash.

For better cleaning result, especially if you have very dirty items, pour a small amount of detergent onto the door. The additional detergent will activate during the pre-wash phase.








- 3 Close the flap by sliding it to the front and then pressing it down.


PROGRAMMING THE DISHWASHER

Wash Cycle Table

The table below shows which programs are best for the levels of food residue on them and how much detergent is needed. It also shows various information about the programs.

(●) Means: need to fill rinse aid into the Rinse-Aid Dispenser.

Program	Description Of Cycle	Detergent Pre/Main Wash	Running Time(min)	Energy (kWh)	Water (L)	Rinse Aid
 Auto	Pre-wash(45 °C)					
	Autowash(55-65 °C)	<u>4/19g</u>				
	Rinse	1 or 2 tabs	85-150	0.850-1.550	8.5-18.0	●
	Rinse(50-55 °C)					
	Drying					
 Hygiene 72°	Wash(72 °C)					
	Rinse	<u>23g</u>				
	Rinse	1 or 2 tabs	215	1.750	14.0	●
	Rinse(72 °C)					
	Drying					
 Whisper	Pre-wash(30 °C)					
	Wash(60 °C)	<u>4/19g</u>				
	Rinse	1 or 2 tabs	270	1.250	13.0	●
	Rinse(55 °C)					
	Drying					
ECO (*EN60436)	Pre-wash					
	Wash(50 °C)	<u>4/19g</u>				
	Rinse	1 or 2 tabs	198	0.758	9.8	●
	Rinse(50 °C)					
	Drying					
 90 min	Wash(60 °C)					
	Rinse	<u>23g</u>				
	Rinse(60 °C)	1 or 2 tabs	90	1.350	12.5	●
	Drying					
 58 min	Prewash(30 °C)					
	Wash(60 °C)	<u>4/19g</u>				
	Rinse(55 °C)	1 or 2 tabs	58	1.050	15.0	●
	Rinse(50 °C)					
	Drying					

Program	Description Of Cycle	Detergent Pre/Main Wash	Running Time(min)	Energy (kWh)	Water (L)	Rinse Aid
 Rapid	Wash(45°C) Rinse(45°C)	12g 1 tab	30	0.820	11.2	○

NOTE:

ECO : The ECO program is suitable to clean normally soiled tableware, that (*EN60436) for this use, it is the most efficient program in terms of its combined energy and water consumption, and it is used to assess compliance with the EU ecodesign legislation.

Saving Energy

1. Pre-rinsing of tableware items leads to increased water and energy consumption and is not recommended.
2. Washing tableware in a household dishwasher usually consumes less energy and water in the use phase than hand dishwashing when the household dishwasher is used according to the instructions.

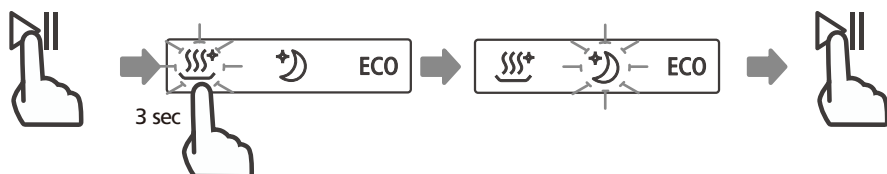
Starting A program

1. Draw out the lower and upper basket, load the dishes and push them back. It is recommended to load the lower basket first, then the upper one.
2. Pour in the detergent.
3. Insert the plug into the socket. The power supply refer to product fiche. Make sure that the water supply is turned on to full pressure.
4. Close the door, press the Power button, to switch on the machine.
5. Choose a program, the response light will turn on. Then press the Start/ Pause button, the dishwasher will start its cycle.

Changing The Program Mid-cycle

A program can only be changed if it has been running only for a short period of time, otherwise the detergent may have already been released or the wash water with detergent has already been drained. If this is the case, the dishwasher needs to be reset and the detergent dispenser must be refilled. To reset the dishwasher, follow the instructions below:

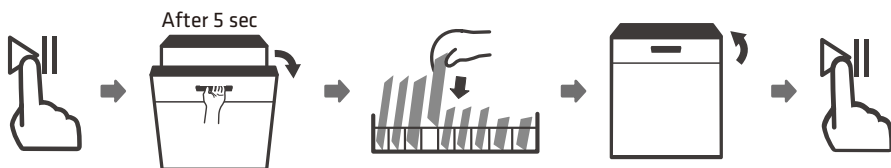
1. Press the Start/Pause button to pause the washing.
2. Press any one Program button more than three seconds, the machine will be in program selection mode.
3. You can change the program to the desired cycle setting.
4. Press the Start/Pause button, the dishwasher will continue to run after 10 seconds.



Forgot To Add A Dish?

A forgotten dish can be added any time before the detergent dispenser opens. If this is the case, follow the instructions below:

1. Open the door a little to stop the washing.
2. After the spray arms stop working, you can open the door completely.
3. Add the forgotten dishes.
4. Close the door.
5. The dishwasher will start running again.



NOTE:



It is dangerous to open the door mid-cycle, as hot steam may scald you.

Auto Open

After washing, the door will open automatically to achieve better drying effect.



NOTE:

The dishwasher door must not be blocked when set to open automatically.

This can disrupt door lock functionality.

ERROR CODES

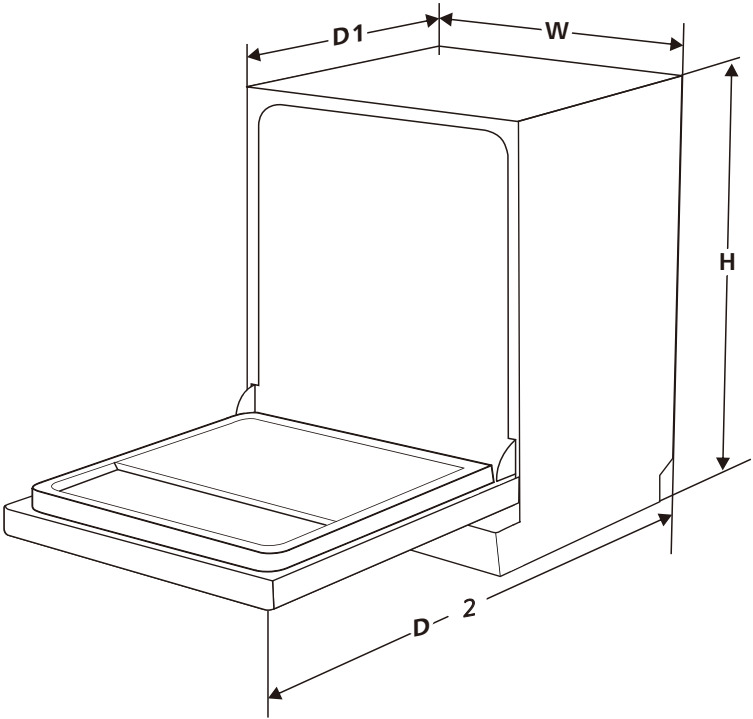
If there is a malfunction, the dishwasher will display error codes to identify these:

Codes	Meanings	Possible Causes
E1	Longer inlet time.	Faucet is not opened, or water intake is restricted, or water pressure is too low.
E3	Not reaching required temperature.	Malfunction of heating element.
E4	Overflow.	Some elements of dishwasher leak.
E8	Failure of orientation of distributary valve.	Open circuit or break of distributary valve.
Ec	Washing control system fail.	PCB or motor fail.
Ed	Failure of communication between main circuit board and display circuit board.	Open circuit or break wiring for the communication.

WARNING

- ⌘ If overflow occurs, turn off the main water supply before calling for service.
- ⌘ If there is water in the base pan because of an overfill or small leak, the water should be removed before restarting the dishwasher.
- ⌘ If there is an error code that cannot be solved, please request professional assistance.

TECHNICAL INFORMATION



GB

Height (H)	815mm
Width (W)	598mm
Depth (D1)	570mm (with the door closed)
Depth (D2)	1150mm (with the door opened 90°)

Product information sheet (EN 60436)

Supplier's name or trade mark: POINT				
Supplier's address ^(b):				
Model identifier: PODW56042W PODW56042X				
General product parameters:				
Parameter	Value	Parameter	Value	
Rated capacity ^(a) (ps)	15	Dimensions in cm	Height	82
			Width	60
			Depth	57
EEI ^(a)	43.9	Energy efficiency class ^(a)	C ^(c)	
Cleaning performance index ^(a)	1.125	Drying performance index ^(a)	1.065	
Energy consumption in kWh [per cycle], based on the eco programme using cold water fill. Actual energy consumption will depend on how the appliance is used.	0.758	Water consumption in litres [per cycle], based on the eco program. Actual water consumption will depend on how the appliance is used and on the hardness of the water.	9.8	
Program duration ^(a) (h:min)	3:18	Type	Free standing	
Airborne acoustical noise emissions ^(a) (dB(A) re 1 pW)	42	Airborne acoustical noise emission class ^(a)	B ^(c)	
Off-mode (W)	0.49	Standby mode (W)	N/A	
Delay start (W) (if applicable)	1.00	Networked standby (W) (if applicable)	N/A	
Minimum duration of the guarantee offered by the supplier ^(b):				
Additional information:				
Weblink to the supplier's website, where the information in point 6 of Annex II to Commission Regulation (EU) 2019/2022 ⁽¹⁾ ^(b) is found:				
(a) for the eco program.				
(b) changes to these items shall not be considered relevant for the purposes of paragraph 4 of Article 4 of Regulation (EU) 2017/1369.				
(c) if the product database automatically generates the definitive content of this cell, the supplier shall not enter these data.				
(1) Commission Regulation (EU) 2019/2022 of 1 October 2019 laying down eco design requirements for household dishwashers pursuant to Directive 2009/125/EC of the European Parliament and of the Council amending Commission Regulation (EC) No 1275/2008 and repealing Commission Regulation (EU) No 1016/2010 (see page 267 of this Official Journal).				

SPECIFICATION

Model: PODW56042W PODW56042X

Rated Voltage: 220-240V~ 50Hz

Power Consumption: 1760-2100W



This symbol on the product or in the instructions means that your electrical and electronic equipment should be disposed at the end of its life separately from your household waste. There are separate collection systems for recycling in the EU. For more information, please contact the local authority or your retailer where you purchased the product.

Power International AS,
PO Box 523, N-1471 Lørenskog, Norway

Power Norge:
<https://www.power.no/kundeservice/>
T: 21 00 40 00

Power Danmark:
<https://www.power.dk/kundeservice/>
T: 70 33 80 80

Punkt 1 Danmark:
<https://www.punkt1.dk/kundeservice/>
T: 70 70 17 07

Power Finland:
<https://www.power.fi/tuki/asiakaspalvelu/>
T: 0305 0305

Power Sverige:
<https://www.power.se/kundsservice/>
T: 08 517 66 000

SIKKERHETSINFORMASJON

ADVARSEL

Når du bruker oppvaskmaskinen, følger du forholdsreglene nedenfor:

- Installasjon og reparasjon kan kun utføres av en kvalifisert tekniker.
- Dette apparatet er beregnet for bruk i husholdninger og lignende bruksområder som:
 - personalrom i butikker, på kontorer og andre arbeidsplasser;
 - gårdsbruk;
 - av gjester i hoteller, moteller og andre bosteder;
 - enkle overnattingssteder.
- Dette apparatet kan brukes av barn fra og med åtte år og personer med reduserte fysiske, sensoriske eller mentale evner eller mangel på erfaring og kunnskap hvis de er under tilsyn eller har mottatt instruksjoner om bruk av apparatet på en sikker måte og forstår faren dette innebærer.
- Barn må ikke leke med apparatet. Rengjøring og brukervedlikehold skal ikke utføres av barn uten tilsyn (For EN60335-1). Dette apparatet skal ikke brukes av personer (inklusive barn) med reduserte fysiske evner, sansevner eller mentale evner, eller som mangler erfaring og kunnskap, med mindre de er under oppsyn eller har fått instruksjoner som gjelder bruk av apparatet av en person som er ansvarlig for deres sikkerhet (For IEC60335-1).
- Emballasjen kan være farlig for barn!

- Dette apparatet er kun til innendørs husholdningsbruk. For å beskytte mot elektrisk støt må du ikke sette motorenheten, strømkabelen eller støpselet i vann eller annen væske.
- Vær forsiktig når du rengjør eller utfører vedlikehold på apparatet.
- Bruk en myk klut fuktet med mild såpe, og bruk deretter en tørr klut til å tørke den igjen.

Instruksjoner Om Jording

- Dette apparatet må jordes. Ved funksjonsfeil eller sammenbrudd vil jording redusere risikoen for elektrisk støt ved å gi en bane med minst mulig motstand for elektrisk strøm. Dette apparatet er utstyrt med et støpsel med jordleder.
- Støpselet må kobles til et egnet strømuttak som er installert og jordnet i samsvar med alle lokale regler og forskrifter.
- Feil tilkobling av utstyrets jordingskontakt kan utgjøre en fare for elektrisk støt.
- Kontakt en kvalifisert elektriker eller servicerepresentant hvis du er i tvil om apparatet er riktig jordnet.
- Ikke modifier støpselet som følger med apparatet hvis det ikke passer i stikkontakten.
- Få en kvalifisert elektriker til å installere en egnet stikkontakt.
- Ikke misbruk, sitt på eller stå på døren eller tallerkenstativet til oppvaskmaskinen.

- Ikke bruk oppvaskmaskinen med mindre alle panelene er riktig på plass.
- Åpne døren veldig forsiktig hvis oppvaskmaskinen er i gang; det er fare for at vann spruter ut.
- Ikke plasser tunge gjenstander på eller stå på døren når den er åpen. Apparatet kan vippe fremover.
- Når du legger inn gjenstander som skal vaskes:
 1. Plasser skarpe gjenstander godt slik at de ikke sannsynlig kan skade dørpakningen.
 2. Advarsel: Kniver og andre redskaper med skarpe steder må legges i kurven med de skarpe stedene vendt nedover eller plassert vannrett.
- Noen oppvaskmidler er sterkt alkaliske. De kan være ekstremt farlige hvis de svelges. Unngå kontakt med huden og øynene, og hold barn borte fra oppvaskmaskinen når døren er åpen.
- Sjekk at oppvaskmiddelpulveret er tomt når vaskesyklusen er fullført.
- Ikke vask plastprodukter med mindre de er merket med «oppvaskmaskin» eller tilsvarende.
- For plastvarer som ikke er merket sjekker du anbefalingene til produsenten.
- Bruk kun oppvaskmiddel og skyllemidler anbefalt for bruk i automatisk oppvaskmaskin.
- Bruk aldri såpe, klesvaskemiddel eller håndoppvaskmiddel i oppvaskmaskinen.
- Døren skal ikke stå åpen, da man kan snuble i den.
- Hvis strømledningen er skadet, må den skiftes av produsenten, produsentens servicerepresentant

eller tilsvarende fagperson for å unngå fare.

- Under installasjon må strømforsyningen ikke bli bøyd eller flatet ut for mye.
- Ikke tukle med kontrollene.
- Apparatet må kobles til hovedvannventilen med nye slangesett. Gamle sett skal ikke brukes på nytt.
- For å spare strøm slås apparatet av automatisk hvis det står i ventemodus og ingenting gjøres på 15 minutter.

Det maksimale antallet oppdekninger som kan vaskes er 15.

Det maksimalt tillatte innløpsvannstrykket er 1 MPa.

Det minste tillatte innløpsvannstrykket er 0,04 MPa.

Avhending

- Når apparatet og emballasjen skal kastes, tar du det med til en gjenvinningsstasjon, klipper av strømkabelen og gjør et døren ikke kan lukkes.
- Pappemballasjen er laget av resirkulert papir og bør kastes sammen som annet papiravfall til resirkulering.
- Ved å sørge for at produktet avhendes på riktig måte vil du bidra til å motvirke de negative konsekvensene som feilaktig avfallshåndtering av dette produktet kan medføre for miljøet og menneskers helse.
- Du får mer inngående informasjon om resirkulering

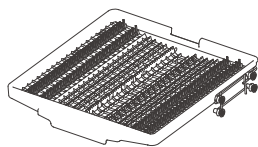
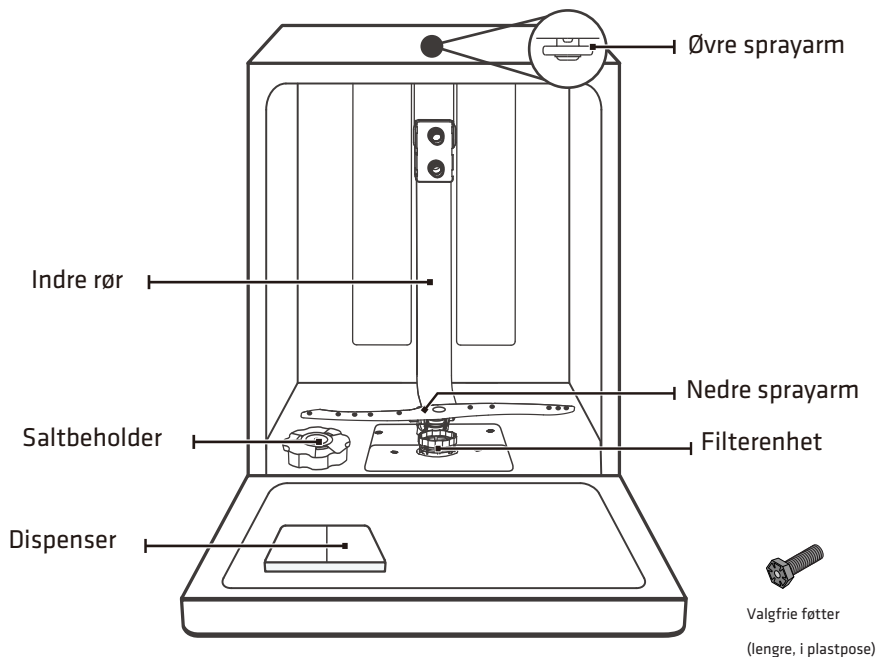
av dette produktet ved å ta kontakt med kommunen og det lokale renovasjonsselskapet.

- **KASSERING: Ikke avhend dette produktet som usortert kommunalt avfall. Det er nødvendig med separat innsamling for slikt avfall for spesiell behandling.**

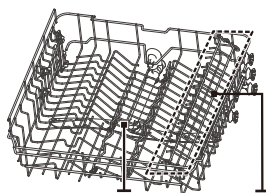
PRODUKTOVERSIKT

VIKTIG:

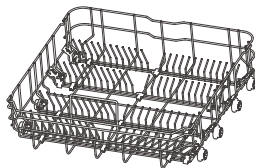
For at oppvaskmaskinen skal fungere så godt som mulig må alle bruksanvisningene leses før den brukes for første gang.



Bestikkstativ



Øvre kurv Koppstativ



Nedre kurv



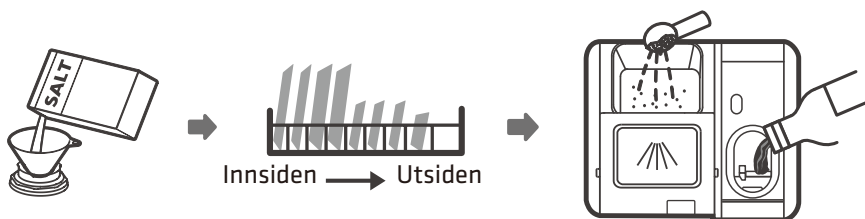
Trakt

MERK:

Bildene er kun til referanse; ulike modeller kan avvike. Det faktiske produktet gjelder.

BRUKE OPPVASKMASKINEN

Før du bruker oppvaskmaskinen:



1. Still inn vannmykneren
2. Legge salt i mykneren
3. Laste kurven
4. Fyll dispensereren

MERK:

Se i delen «Vannmykner». Hvis du må stille inn vannmykner.

Legge salt i mykneren

MERK:

Hvis modellen ikke har vannmykner, kan du hoppe over denne delen.

Bruk alltid salt beregnet for oppvaskmaskin.

Saltbeholderen er plassert under kurven og bør fylles som forklart i det følgende:

ADVARSEL

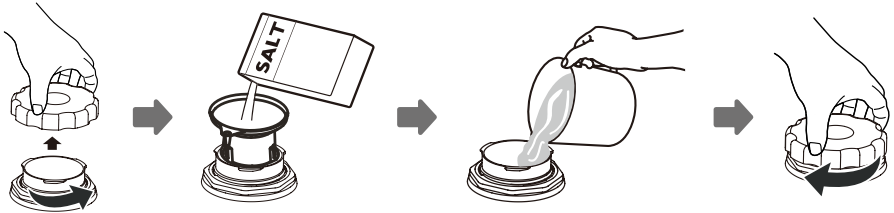
⌘ **Bruk bare salt som er spesielt laget for oppvaskmaskiner!**

Annen type salt, som ikke er spesielt laget for bruk i oppvaskmaskin, spesielt bordsalt, vil skade vannmykneren. Ved skader forårsaket av at uegnet salt brukes gjelder ikke produsentens garanti, og produsenten er heller ikke ansvarlig for følgeskader.

⌘ **Fyll bare med salt før du kjører en syklus.**


Dette vil forhindre at saltkorn eller saltvann som kan ha blitt sølt, blir liggende på bunnen av maskinen i en periode, noe som kan føre til korrosjon.

Følg trinnene nedenfor for å legge til oppvaskmaskinsalt:



1. Fjern kurven, og skru av beholderhetten.
2. Plasser enden av trakten (følger med) i hullet, og hell i ca 1 kg oppvaskmaskinsalt.
3. Før første vask fyller du saltbeholderen til maksimumsgrensen med vann. Det er normalt at det kommer litt vann ut av saltbeholderen.
4. Når du har fylt beholderen, skrur du lokket tett på igjen.
5. Saltvarslingslampen slutter å blinke når saltbeholderen er fylt med salt.
6. Så snart saltet er fylt opp i saltbeholderen, bør et oppvaskprogram startes. (Vi foreslår at du bruker et kort program.) Ellers kan filtersystemet, pumpen eller andre viktige deler av maskinen bli skadet av saltvann. Dette dekkes ikke av garantien.

MERK:

- ⌘ Saltbeholderen må bare fylles på når saltvarslingslampen () i kontrollpanelet lyser. Avhengig av hvor godt saltet løses opp, kan saltvarslingslampen fortsatt lyse selv om saltbeholderen er fylt. Hvis det ikke er en varslingslampe for salt i kontrollpanelet (noen modeller), kan du estimere når du skal fylle saltet i mykneren etter hvor mange sykluser oppvaskmaskinen har kjørt.
- ⌘ Hvis det har sølt ut salt, kjører du et bløte- eller hurtigprogram for å fjerne det.

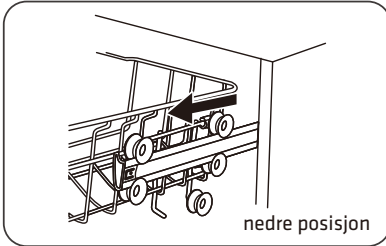
Tips Om Bruk Av Kurv

Justere den øvre kurven

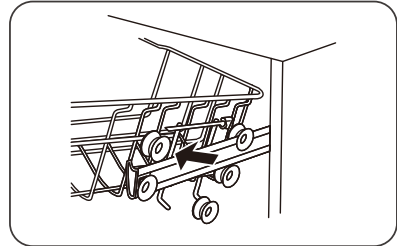
Type 1:

Høyden på den øvre kurven kan enkelt justeres for å få plass til høyere tallerkener i enten den øvre eller nedre kurven.

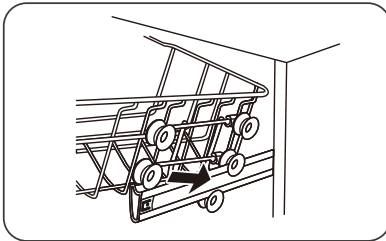
Følg disse trinnene for å justere høyden på det øvre stativet:



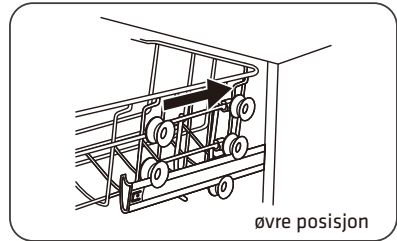
1. Trekk ut den øvre kurven.



2. Fjern den øvre kurven.

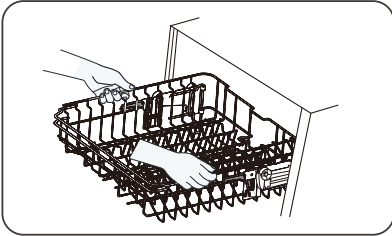


3. Fest den øvre kurven til øvre eller nedre rullestativ.

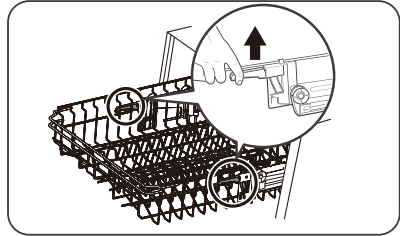


4. Skyv inn den øvre kurven

Type 2:



1. For å heve den øvre kurven løfter du bare den på midten av hver side til den låses på plass i øvre posisjon. Det er ikke nødvendig å løfte justeringshåndtaket.



2. For å senke den øvre kurven løfter du justeringshåndtakene på hver side for å frigjøre den og senke den til nedre posisjon.

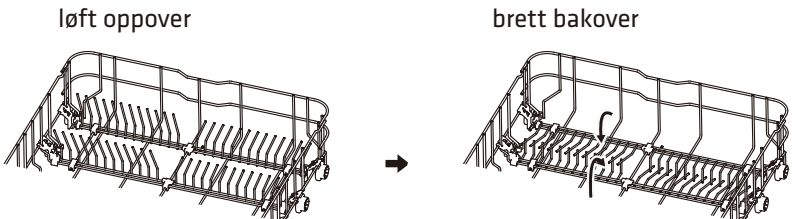
Brette tilbake kopphyllene

For å få plass til større gjenstander i den øvre kurven kan du løfte koppstativet oppover. Du kan deretter lene høye glass mot det. Du kan også fjerne det når det ikke må brukes.



Brette ned stativhyllene

Piggene på den nedre kurven brukes til å holde tallerkener og et fat. De kan senkes ned for å gi plass til større artikler.



VEDLIKEHOLD OG RENGJØRING

Eksternt Vedlikehold

Døren og dørpakningen

Rengjør dørpakningene regelmessig med en myk, fuktig klut for å fjerne matrester. Når det legges oppvask i oppvaskmaskinen, kan mat- og drikkerester dryppe ned på sidene av døren til oppvaskmaskinen. Disse overflatene er utenfor vaskekabinettet og får ikke tilgang til vann fra sprayarmen. Eventuelle rester bør tørkes av før døren lukkes.

Kontrollpanelet

Hvis kontrollpanelet må gjøres rent, skal det bare tørkes av med en myk, fuktig klut.

ADVARSEL

- ⌘ For å unngå at vann kommer inn i dørlåsen og elektriske komponenter må du ikke bruke en sprayrens av noe slag.
- ⌘ Bruk aldri rengjøringsmiddel eller skureputer på de ytre overflatene, da de kan skrape overflaten. Noen papirhåndklær kan også skrape opp eller etterlate merker på overflaten.

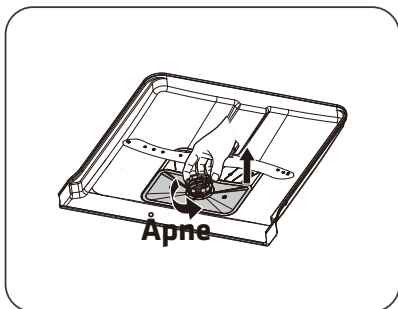
Internt Vedlikehold

Filtreringssystem

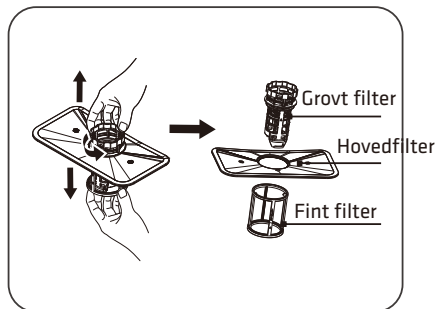
Filtreringssystemet på bunnen av vaskekabinettet holder grov rusk fra oppvasksyklusen. Grov rusk som har samlet seg, kan føre til at filtrene blir tette. Kontroller tilstanden til filtrene regelmessig, og rengjør dem om nødvendig under rennende vann. Følg trinnene nedenfor for å rengjøre filtrene i vaskekabinettet.

MERK:

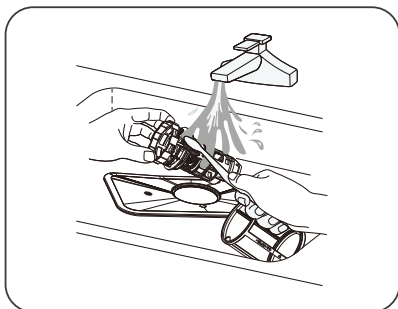
Bildene er kun til referanse. Ulike modeller av filtreringssystemet og sprayarm kan avvike. Det faktiske produktet gjelder.



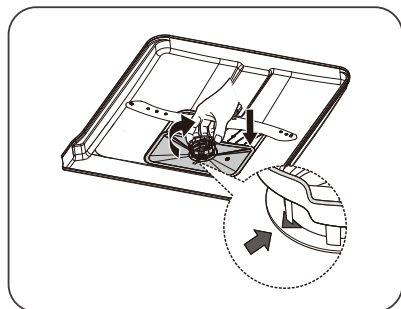
1. Hold i det grove filteret, og drei det mot klokken for å låse opp filteret. Løft filteret oppover og ut av oppvaskmaskinen.



2. Det fine filteret kan trekkes fra bunnen av filterenheten. Det grove filteret kan løsnes fra hovedfilteret ved å klemme tappene forsiktig og trekke det bort.



3. Større matrester kan fjernes ved å skylle filteret under rennende vann. For å rengjøre mer grundig kan du bruke en myk børste.



4. Sett sammen filtrene igjen i motsatt rekkefølge, sett inn filterinnsatsen, og vri den med klokken mot lukkepilen.

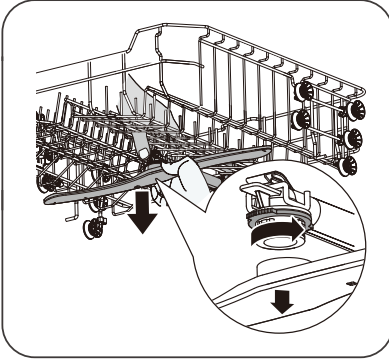
ADVARSEL

- ⌘ Ikke trekk til filtrene for mye. Sett filtrene godt tilbake i rekkefølge, ellers kan grovt rusk komme inn i systemet og forårsake blokkering.
- ⌘ Bruk aldri oppvaskmaskinen uten at filtrene er på plass. Hvis filteret byttes på feil måte, kan ytelsen til maskinen reduseres og fat og redskaper bli skadet.

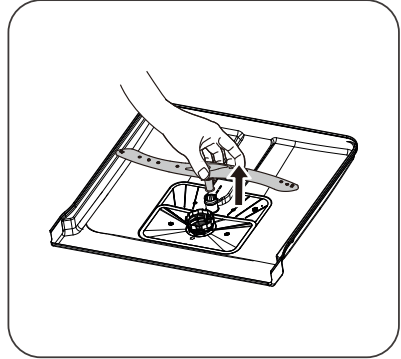
Sprayarmer

Sprayarmene må rengjøres regelmessig, da kjemikalier med hardt vann vil tette sprayarmdysene og lagrene.

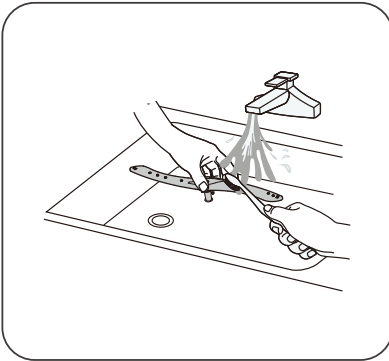
Følg instruksjonene nedenfor for å rengjøre sprayarmene:



1. For å fjerne den øvre sprayarmen holder du mutteren i midten stille og roterer sprayarmen av mot klokken.



2. For å fjerne den nedre sprayarmen trekker du den oppover.



3. Vask armene med varmt såpevann, og bruk en myk børste til å rengjøre dysene. Skyll dem grundig og sett dem på plass igjen.

Vedlikeholde Oppvaskmaskinen

Forholdsregler mot frost

Ta tiltak for frost på oppvaskmaskinen om vinteren. Gjør slik etter hver vaskesyklus:

1. Kutt av strømmen til oppvaskmaskinen ved kilden.
2. Slå av vannforsyningen, og koble vanninnløpsrøret fra vannventilen.
3. Tapp vannet fra innløpsrøret og vannventilen. (Bruk en panne til å samle vannet)
4. Koble vanninnløpsrøret til vannventilen igjen.
5. Fjern filteret på bunnen av karet, og bruk en svamp for å suge vann i bunnpannen.

Etter hver vask

Etter hver vask slår du av vannforsyningen til apparatet og lar døren være litt åpen slik at fukt og lukt ikke fanges på innsiden.

Ta ut støpselet

Før rengjøring eller vedlikehold må du alltid ta støpselet ut av stikkkontakten.

Ingen løsemidler eller skuremidler

Ikke bruk løsemidler eller skuremidler til å rengjøre utsiden og gummidelen av oppvaskmaskinen. Bruk bare en klut med varmt såpevann. For å fjerne flekker eller smuss fra overflaten av innsiden kan du bruke en klut fuktet med vann med litt eddik eller et rengjøringsprodukt laget spesielt for oppvaskmaskiner.

Ved lengre perioder uten bruk

Du bør kjøre en vaskesyklus med oppvaskmaskinen tom og så ta støpselet ut av stikkkontakten, slå av vanntilførselen og la døren til apparatet være litt åpen. Dette gjør at dørpakningene varer lenger og forhindrer at det dannes lukt i apparatet.

Flytte apparatet

Hvis apparatet må flyttes, må du prøve å holde det loddrett. Hvis det er absolutt nødvendig, kan det legges på ryggen.

Pakninger

En av de tingene som kan skape lukt i oppvaskmaskinen er at mat blir fanget i pakningene. Du kan rengjøre regelmessig med en fuktig svamp for å forhindre dette.

INSTRUKSJONER FOR INSTALLASJON

ADVARSEL



Fare For Elektrisk Støt

Koble fra elektrisk strøm før du installerer oppvaskmaskin. Ellers kan det føre til dødsfall eller elektrisk støt.

OBS

Rør og elektrisk utstyr skal installeres av fagfolk.

Om Strømtilkobling

ADVARSEL

For personlig sikkerhet:

- ⌘ Ikke bruk skjøteledning eller adapterstøpsler med dette apparatet.
- ⌘ Du må ikke under noen omstendighet kutte eller fjerne jordingskontakten fra kabelen.

Elektriske krav

Se på merkeetiketten for å finne riktig spenning, og koble oppvaskmaskinen til en riktig strømforsyning. Bruk den nødvendige sikringen 10A/13A/16A. Forsinkelsessikring eller effektbryter er anbefalt. Sørg for at apparatet har en helt egen kurs.

Elektrisk tilkobling

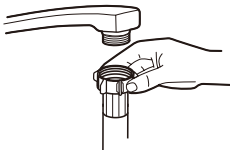
Sørg for at spenningen og frekvensen til strømmen tilsvarer det som står på typeskiltet. Støpselet skal kun settes i en stikkontakt som er ordentlig jordet. Hvis stikkontakten som apparatet må kobles til, ikke passer for støpselet, må du bytte ut stikkontakten og ikke bruke adaptere eller lignende, da de vil kunne forårsake overoppheting og forbrenning. Sørg for at jordingen er riktig før bruk.

Vannforsyning Og -Tapping

Tilkobling av kaldtvann

Koble kaldtvannsforsyningsslangen til en gjenget 3/4 (tommers) kontakt, og sørg for at den er strammet godt på plass.

Hvis vannrørene er nye eller ikke har vært brukt på en lengre periode, må du la vannet renne for å sikre at det er rent. Denne forholdsregelen må tas for å unngå fare for at vanninnløpet blokkeres og at apparatet blir skadet.



vanlig forsyningslange



sikkerhetsforsyningslange

Om sikkerhetsforsyningslangen

Sikkerhetsforsyningslangen består av doble vegger. Systemet til slangen sørger for at det stopper vannstrømmen dersom forsyningslangen går i stykker og når luftrommet mellom selve forsyningslangen og den ytre korrugerte slangen er full av vann.

ADVARSEL

En slange som festes til en vaskspray, kan sprekke hvis den er installert på samme vannlinje som oppvaskmaskinen. Hvis vasken har en, anbefales det at slangen kobles fra og hullet plugges.

Slik kobler du til sikkerhetsforsyningslangen

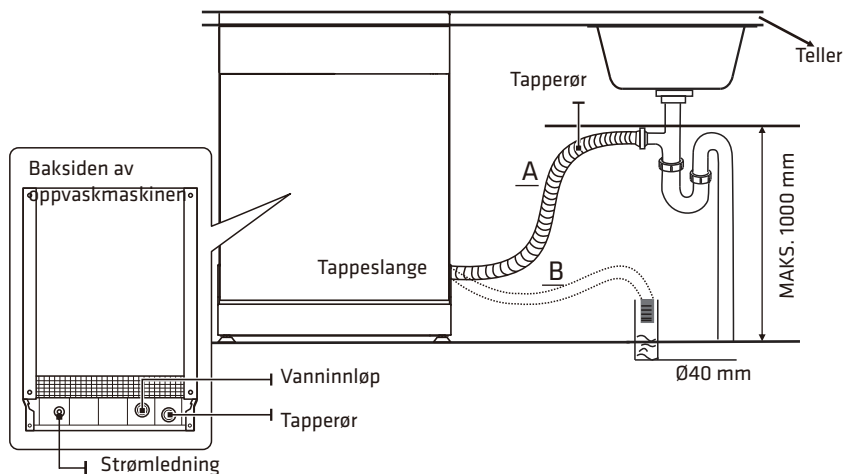
1. Trekk sikkerhetsforsyningslangene helt ut fra oppbevaringsrommet på baksiden av oppvaskmaskinen.
2. Trekk til skruene på sikkerhetsforsyningslangen på kranen med 3/4 tommers gjenging.
3. Slå på vannet helt før du starter oppvaskmaskinen.

Slik kobler du fra sikkerhetsforsyningslangen

1. Slå av vannet.
2. Skru sikkerhetsforsyningslangen ut fra kranen.

Tilkobling Av Tappeslanger

Sett tappeslangen i et avløpsrør med en minste diameter på 4 cm, eller la den renne inn i vasken; sørg for at den ikke blir bøyd eller klemt. Høyden på avløpsrøret må være mindre enn 600 mm. Den frie enden av slangen skal ikke dyppes i vann for å unngå at det oppstår tilbakestrømning. Fest tappeslangen sikkert i stilling A eller stilling B.



Hvordan tappe overflødig vann fra slanger

Hvis vasken er 1000 mm høyere fra gulvet, kan ikke overflødig vann i slanger tappes direkte i vasken. Overflødig vann fra slanger vil måtte tappes i en skål eller egnet beholder som holdes utenfor og lavere enn vasken.

Vannutløp

Koble til vanntappeslangen. Tappeslangen må være riktig montert for å unngå vannlekkasjer. Sørg for at vanntappeslangen ikke er knekt eller klemt.

Forlengesslange

Hvis tappeslangen må forlenges, må du bruke en lignende tappeslange. Den skal ikke være lenger enn 4 meter, ellers kan ytelsen til oppvaskmaskinen reduseres.

Sifonforbindelse

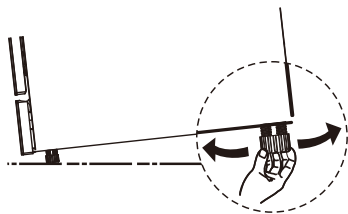
Avløpsforbindelsen må være i en høyde på mindre enn 100 cm (maks.) fra bunnen av oppvaskmaskinen. Vanntappeslangen skal festes.

Plassere apparatet

Plasser apparatet på ønsket sted. Ryggen skal hvile mot veggen bak den, og sidene langs tilstøtende skap eller vegger. Oppvaskmaskinen er utstyrt med vanntilførsels- og tappeslanger, som kan plasseres enten på høyre eller venstre side for å gjøre det enkelt å installere korrekt.

Sette apparatet i vater

Når apparatet er plassert for nivellering, kan høyden på oppvaskmaskinen stilles inn ved å skru på føttene. Under ingen omstendigheter skal apparatet stå mer enn 2° skrått.



MERK:

Gjelder bare frittstående oppvaskmaskin.

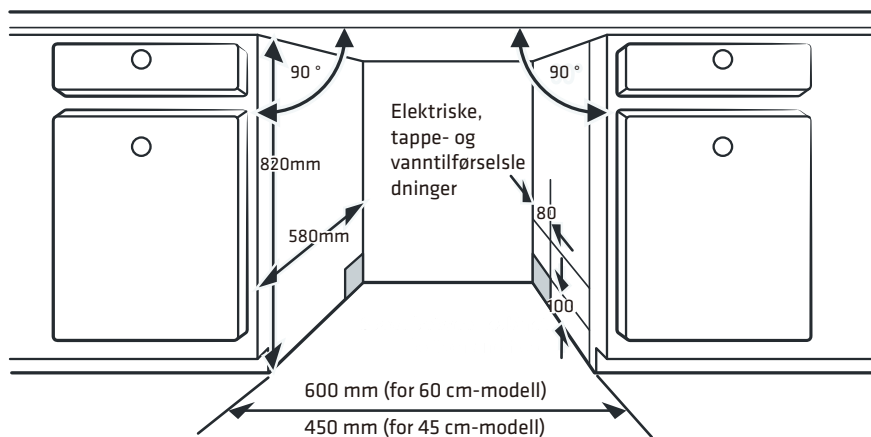
Innebygd installasjon (for den integrerte modellen)

Trinn 1. Velge det beste stedet for oppvaskmaskinen

Oppvaskmaskinen skal installeres i nærheten av eksisterende innløps- og tappeslanger og stikkontakt.

Illustrasjoner av skapets mål og monteringsposisjon for oppvaskmaskinen.

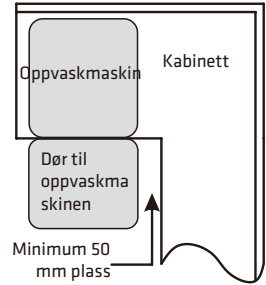
1. Mindre enn 5 mm mellom toppen av oppvaskmaskinen og skapet og ytterdøren på linje med skapet.



2. Hvis oppvaskmaskinen er installert i hjørnet av skapet, bør det være litt plass når døren åpnes.

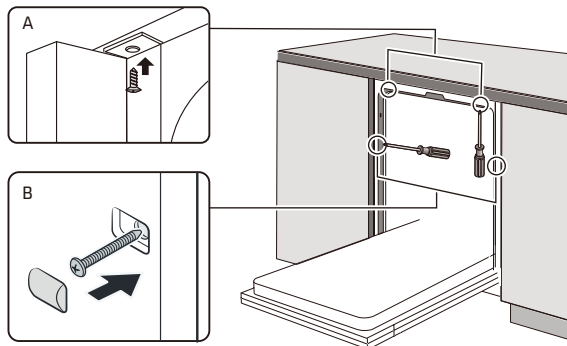
MERK:

Avhengig av hvor stikkkontakten er, kan du måtte skjære et hull på motsatt side av skapet.



Trinn 2. Trinn for installasjon av oppvaskmaskin

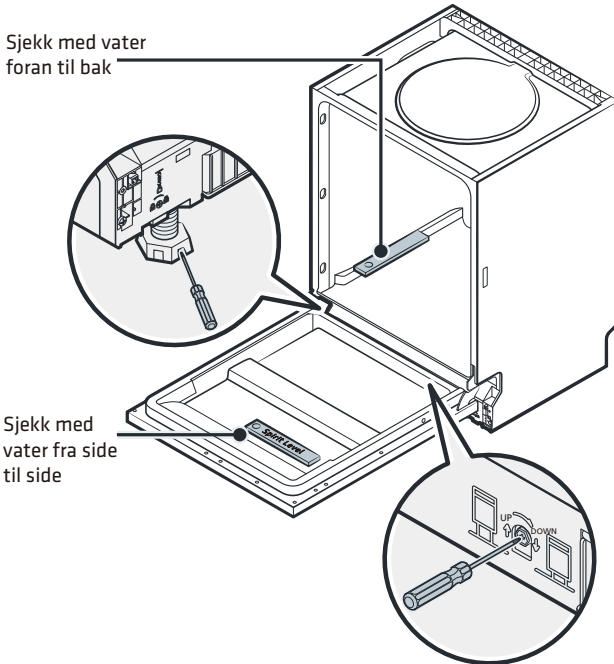
1. Fest kondensstripen under arbeidsflaten på skapet. Sørg for at kondensstripen er på linje med arbeidsflaten.
2. Koble innløpsslangen til kaldtvannsforsyningen.
3. Koble til tappeslangen.
4. Koble til strømledningen.
5. Sett oppvaskmaskinen på plass.
6. Sett oppvaskmaskinen i vater. Bakfoten kan justeres fra forsiden på oppvaskmaskinen ved å vri skruen midt på bunnen av oppvaskmaskinen med en stjerneskrutrekker. For å justere de fremre føttene bruker du en flat skrutrekker og dreier de fremre føttene til oppvaskmaskinen er i vater.
7. Juster spenningen til dørfjærene ved å vri en unbrakonøkkel med urviseren for å stramme venstre og høyre dørfjær. Hvis ikke dette gjøres, kan det føre til skade på oppvaskmaskinen.
8. Oppvaskmaskinen må sikres på plass. Det er to måter å gjøre dette på:
 - A. Normal arbeidsflate: Sett installasjonskroken inn i sporet på sideplanet og fest den til arbeidsflaten med treskruene.
 - B. Benkeplate i marmor eller granitt: Fest siden med skruer.



Trinn 3. Sette oppvaskmaskinen i vater

Oppvaskmaskinen må være i vater for at tallerkenstativet kan brukes riktig og for å opprettholde vaskeevnen.

1. Plasser et vater på døren og stativsporet inne i karet som vist for å sørge for at oppvaskmaskinen er i vater.
2. Sett oppvaskmaskinen i vater ved å justere de tre nivelleringsbenene for seg.
3. Når du setter oppvaskmaskinen i vater, må du passe på at den ikke oppvaskmaskinen velter.



MERK:

Maksimal justeringshøyde på føttene er 70 mm.

TIPS FOR PROBLEMLØSING

Før Du Ringer Service

Ved å gå gjennom diagrammene på de neste sidene kan du slippe å ringe etter service.

Problem	Mulige Årsaker	Ting Du Alltid Må Gjøre
Oppvaskmaskinen starter ikke	Sikring blåst, eller effektbryter utløst.	Bytt ut sikringen eller tilbakestill effektbryteren. Fjern alle andre apparater som er på samme kurs som oppvaskmaskinen.
	Strømforsyningen er ikke slått på.	Sørg for at oppvaskmaskinen er slått på og at døren er lukket ordentlig. Kontroller at strømledning er ordentlig tilkoblet stikkontakten.
	Vanntrykket er lavt.	Kontroller at vannforsyningen er riktig tilkoblet og at vannet er slått på.
	Døren til oppvaskmaskinen er ikke ordentlig lukket.	Sørg for å lukke døren ordentlig og smekke den igjen.
Vann pumpes ikke fra oppvaskmaskinen	Bøyd eller fanget tappeslange.	Kontroller tappeslangen.
	Filter tett.	Kontroller det grove filteret.
	Kjøkkenvasken er tett.	Sjekk oppvaskkummen for å sørge for at vannet dreneres som det skal. Hvis problemet er at kjøkkenvasken ikke drenerer, kan du trenge en rørlegger i stedet for en oppvaskmaskinreparatør.
Såpeskum i karet	Feil oppvaskmiddel.	Bruk kun spesielt vaskemiddel til oppvaskmiddel for å

Problem	Mulige Årsaker	Ting Du Alltid Må Gjøre
		unngå såpeskum. Hvis dette skjer, må du åpne oppvaskmaskinen og la såpeskummet fordampe. Tilsett 3,5 liter kaldt vann i bunnen av oppvaskmaskinen. Lukk døren til oppvaskmaskinen, og velg deretter en hvilken som helst syklus. Til å begynne med drenerer oppvaskmaskinen vannet. Åpne døren når vannet er drenert, og sjekk om såpeskummet har forsvunnet. Gjenta om nødvendig.
	Skyllmiddel er sølt.	Tørk alltid opp sølt skyllmiddel med en gang.
Karet er flekket på innsiden	Det kan ha blitt brukt oppvaskmiddel med fargestoff.	Kontroller at oppvaskmiddelet ikke har farge.
Hvit film på overflaten på innsiden	Hardvannsmineraler.	Rengjør innsiden med en fuktig svamp med oppvaskmiddel, og bruk gummihansker. Bruk aldri noe annet enn oppvaskmiddel til oppvaskmaskin, ellers kan det føre til skum eller såpeskum.
Det er rustflekker på bestikk	Artiklene er ikke er ikke motstandsdyktig mot korrosjon.	Unngå å vaske artikler som ikke er motstandsdyktig mot korrosjon i oppvaskmaskinen.
	Et program ble ikke kjørt etter at oppvaskmaskinsalt ble tilsatt. Spor av salt har kommet inn i	Kjør alltid et oppvaskprogram uten oppvask etter at du har satt til salt. Ikke velg

Problem	Mulige Årsaker	Ting Du Alltid Må Gjøre
	vaskesyklusen.	Turbo-funksjonen (hvis denne finnes) når oppvaskmaskinsalt er tilsatt.
	Lokket til mykneren er løst.	Kontroller at lokket til mykneren er fast.
Det kommer bankelyd fra oppvaskmaskinen	En sprayarm banker på en gjenstand i en kurv.	Avbryt programmet og rydd opp i gjenstandene som hindrer sprayarmen.
Skramlelyder i oppvaskmaskinen	Det er løst bestikk i oppvaskmaskinen.	Avbryt programmet og omplasser oppvasken.
Bankelyder i vannrørene	Dette kan være forårsaket av installasjonen på stedet eller tverrsnittet til rørene.	Dette påvirker på ingen måte funksjonaliteten til oppvaskmaskinen. Kontakt en faglært rørlegger hvis du er i tvil.
Oppvasken er ikke blitt ren	Oppvasken ble ikke lastet riktig.	Se «Gjøre Klar Og Legge I Oppvask».
	Programmet var ikke kraftig nok.	Velg et mer intenst program.
	Det ble ikke dispensert nok oppvaskmiddel.	Bruk mer oppvaskmiddel, eller bytt oppvaskmiddel.
	Elementer blokkerer bevegelsen til sprayarmene.	Plasser gjenstandene slik at sprayen kan rotere fritt.
	Filterkombinasjonen er ikke ren eller er ikke riktig montert i bunnen av vaskekabinettet. Dette kan føre til at sprøytearmdysene blir blokkert.	Rengjør og/eller monter filteret riktig. Rengjør sprayarmdysene.
Tåkete glass.	Kombinasjon av mykt vann og for mye oppvaskmiddel.	Bruk mindre oppvaskmiddel hvis du har mykt vann, og velg en kortere syklus for å vaske glasstøyet for å få dem rene.
Det kommer hvite flekker på tallerkener og	På steder med hardt vann kan det oppstå kalkavleiringer.	Legg til mer oppvaskmiddel.

Problem	Mulige Årsaker	Ting Du Alltid Må Gjøre
glass.		
Svarte eller grå merker på oppvasken	Aluminiumsredskaper har gnidd mot oppvasken.	Bruk et mildt rengjøringsmiddel for å fjerne disse merkene.
Det er oppvaskmiddel igjen i dispensereren	Oppvask blokkerer oppvaskmiddeldispenseren.	Sett i oppvasken i på nytt på riktig måte.
Oppvasken tørker ikke	Feil lasting.	Last oppvaskmaskinen som foreslått i instruksjonene.
	Oppvasken ble fjernet for tidlig.	Ikke tøm oppvaskmaskinen umiddelbart etter vask. Åpne døren litt slik at dampen kommer ut. Ta ut oppvasken når temperaturen på innsiden ikke er for høy til å berøre. Tøm den nedre kurven først for å forhindre at vant drypper fra den øvre kurven.
	Feil program er valgt.	Med et kort program er vasketemperaturen lavere, noe som reduserer ytelsen til oppvasken. Velg et program med en lang vasketid.
	Bestikk med belegg av lav kvalitet brukt.	Det er vanskeligere å fjerne vann fra slike artikler. Bestikk eller servise av denne typen er ikke egnet til å vaske i oppvaskmaskin.

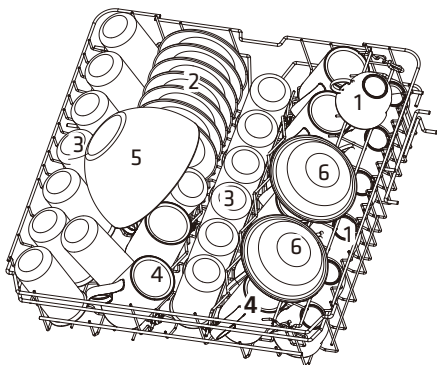
ADVARSEL

Hvis reparasjon utføres på egen hånd, eller av en ikke-profesjonell reparatør, kan det utgjøre en alvorlig risiko for sikkerheten til brukeren av apparatet og påvirke garantien.

LASTE KURVENE I HENHOLD TIL EN60436:

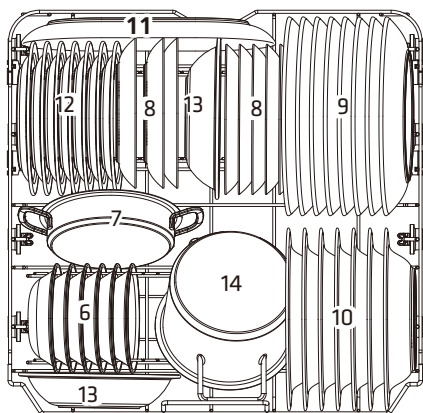
Kurv:

Øvre kurv:



Nummer	Artikkel
1	Kopper
2	Fat
3	Glass
4	Mugger
5	Glassbolle
6	Dessertskåler

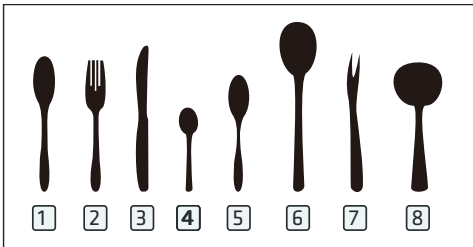
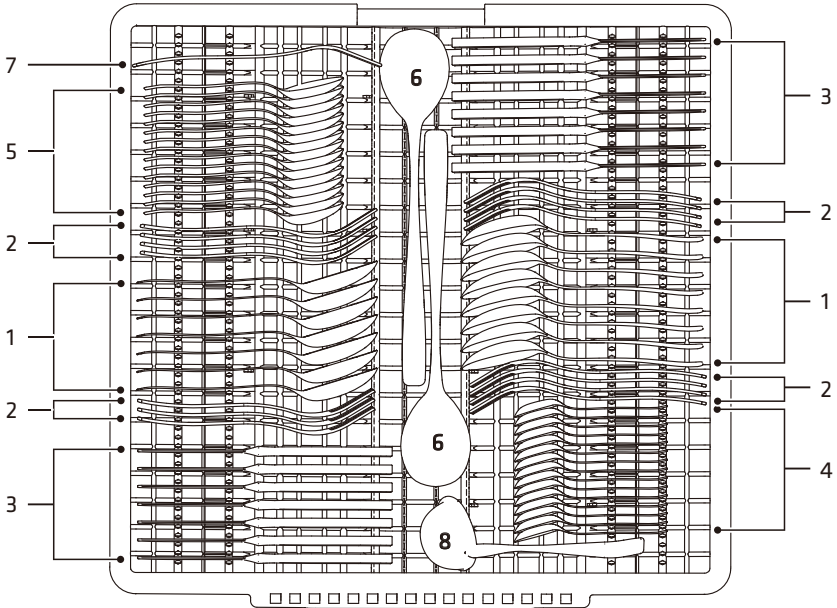
Nedre kurv:



Nummer	Artikkel
7	OvnsgrYTE
8	Desserttallerkener
9	Middagstallerkener
10	Suppetallerkener
11	Avlangt fat
12	Desserttallerkener i melamin
13	Boller i melamin
14	Liten gryte

NO

Bestikkurv:



Informasjon for sammenlignbarhetstester i samsvar med EN60436:

Kapasitet: 15 oppdekninger

Plassering av øvre kurv: nedre stilling

Program: ØKO

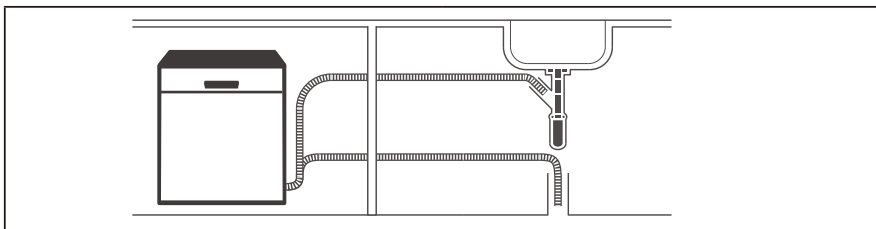
Stille inn skyllemiddel: Maks.

Myknerinnstilling: H3

Nummer	Artikkel
1	Suppeskjeer
2	Gafler
3	Kniver
4	Testkjeer
5	Dessertskjeer
6	Serveringskjeer
7	Serveringsgaffel
8	Sausesleiv

RASK BRUKERVEILEDNING

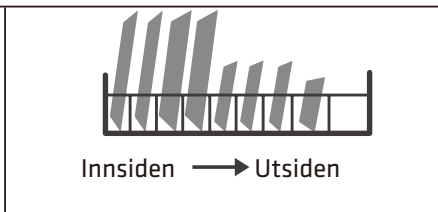
Les tilsvarende innhold i bruksanvisningen for detaljerte bruksanvisninger.



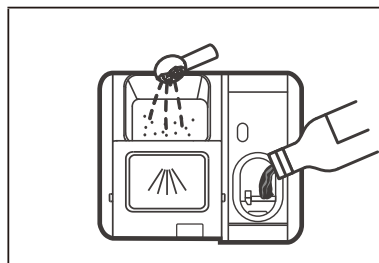
1. Installere oppvaskmaskinen
(Sjekk delen «INSTRUKSJONER FOR INSTALLASJON».)



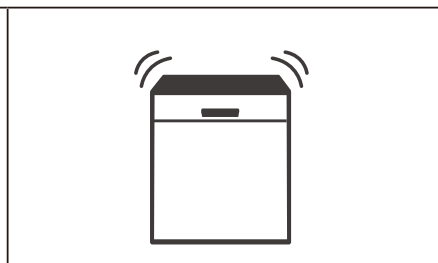
2. Fjern store matrester på bestikket



3. Laste kurvene



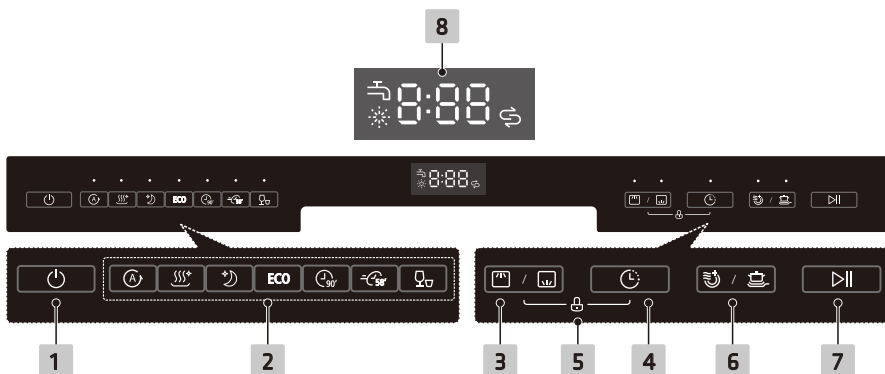
4. Fylle dispenser







5. Velge et program og kjøre oppvaskmaskinen







BRUKE OPPVASKMASKINEN

Kontrollpanel






Drift (knapp)

1 Strøm	Trykk denne knappen for å slå oppvaskmaskinen på eller av.
2 Program	<p>Trykk denne knappen for å velge et egnet oppvaskprogram, så lyser indikatoren for det valgte programmet.</p> <p> Auto For lett, normalt eller sterkt skittent servise med eller uten tørket mat.</p> <p> Hygiene 72° Dette programmet øker vanntemperaturen til 72° C for høye temperatur desinfisering.</p> <p> Stille Lavere støy og normalt energiforbruk – kan brukes på kveldstid.</p> <p>ECO ØKO Dette er standardprogrammet som egner seg for normalt skitten oppvask, som gryter, tallerkener, glass og lett skitne panner.</p> <p> 90 min. For normalt skitten oppvask som må vaskes på 90 minutter.</p>

	 58 min. For normalt skitten oppvask som må vaskes på 58 minutter.
	 Hurtig En kortere vask for litt skitten oppvask som ikke må tørkes.
3 Alternativ	<p>Trykk knappen for å velge at enten øvre eller nedre kurv lastet, så lyser responsindikatorene.</p> <p> Øvre Når du velger Øvre, vaskes bare oppvasken i den øvre kurven. Spraysystemet til den nedre kurven vil ikke fungere.</p> <p> Nedre Når du velger Nedre, vaskes bare oppvasken i den nedre kurven. Spraysystemet til den øvre kurven vil ikke fungere.</p>
4 Utsett	Trykk denne knappen for å stille inn forsinkelsestimer for vask. Du kan utsette starten på oppvasken i opptil 24 timer.
5 Barnesikring	<p>Dette alternativet lar deg låse knappene på kontrollpanelet – bortsett fra strømknappen – slik at barn ikke kan starte oppvaskmaskinen ved uhell ved å trykke knappene på panelet. Lås eller lås opp knappene på kontrollpanelet ved å holde inne inne Alternativ-knappen og forsinkelsesknappen i 3 sekunder.</p>
6 Funksjon	<p>Trykk knappen for å velge en funksjon, så lyser den tilsvarende indikatoren. To funksjoner kan ikke velges samtidig.</p> <p> Ekstra Rengjøring Å vaske veldig skitten oppvask som er vanskelig å rengjøre. (Den kan ikke brukes med Auto og Hurtig)</p> <p> Ekstra Tørrking For å gjøre oppvasken tørrere. (Den kan ikke brukes med Auto, Stille og Hurtig)</p>
7 Start/Pause	Trykkes for å starte det valgte oppvaskprogrammet eller ta pause når oppvaskmaskinen er i gang.

Display

8 Skjerm	 Skyllemiddel Hvis «☀»-indikatoren lyser, betyr det at oppvaskmaskinen har lite skyllemiddel og det må fylles på.  Salt Hvis «☹»-indikatoren lyser, betyr det at det er lite salt i oppvaskmaskinen og det må fylles på nytt.  Vannkran Hvis «☹»-indikatoren lyser, betyr det at vannkranen er lukket.
	 Her vises gjenværende programtid, utsettelsestid, feilkode osv.

Vannmykner

Vannmykner må stilles inn manuelt med vannhardhetsskiven.

Vannmykner er laget for å fjerne mineraler og salter fra vannet, som vil ha en skadelig eller negativ innvirkning på driften til apparatet. Jo flere mineraler det er, desto hardere er vannet. Mykner skal justeres i henhold til hardheten til vannet der du er. Det lokale vannverket kan gi deg råd om hvor hardt vannet er der du er.

Justere saltforbruk

Oppvaskmaskinen er designet slik at man kan justere mengden salt som brukes avhengig av hvor hardt vannet som brukes er. Dette er ment for å optimalisere og tilpasse mengden salt som forbrukes.

Følg trinnene nedenfor for å justere forbruket av salt.

1. Slå på apparatet.
2. Innen 60 sekunder etter at apparatet er slått på trykker du Hurtig-knappen i mer enn 5 sekunder for å gå inn i modus for å stille inn vannmykner.
3. Trykk Hurtig-knappen for å velge riktig innstilling i henhold til omgivelsene. De stilles inn i følgende rekkefølge: H3->H4->H5->H6->H1->H2->H3.
4. Trykk strømknappen for å avslutte innstillingsmodus.

VANNHARDHET				Vannmyknernivå	Regenerering skjer hver X. programsekvens ¹⁾	Saltforbruk (gram/syklus)
Tysk °dH	Fransk °fH	Britisk °Clarke	Mmol/l			
0-5	0-9	0-6	0-0,94	H1	Ingen regenerering	0
6-11	10-20	7-14	1,0-2,0	H2	10	9
12-17	21-30	15-21	2,1-3,0	H3	5	12
18-22	31-40	22-28	3,1-4,0	H4	3	20
23-34	41-60	29-42	4,1-6,0	H5	2	30
35-55	61-98	43-69	6,1-9,8	H6	1	60

1° dH=1,25 ° Clarke=1,78 ° fH=0,178 mmol/l

Fabrikkinnstillingen: H3

- 1) Hver syklus med en regenereringsoperasjon forbruker ytterligere 2,0 liter vann, energiforbruket øker med 0,02 kWh, og programmet forlenges med 4 minutter.

Merk:

Sjekk delen «Legge Salt I Mykneren» hvis oppvaskmaskinen mangler salt.

MERK:

Hvis modellen ikke har vannmykner, kan du hoppe over denne delen.

Hvor hardt vann man har, varierer fra sted til sted. Hvis det brukes hardt vann i oppvaskmaskinen, dannes det avleiringer på serviset og redskapene.

Apparatet er utstyrt med en spesiell mykner som bruker en saltbeholder som er spesielt utviklet for å fjerne kalk og mineraler fra vannet.

Forberede Og Laste Oppvasken

- ⌘ Det kan være lurt å kjøpe redskaper som det står at kan vaskes i oppvaskmaskin.

For visse artikler må du velge et program med lavest mulig temperatur.

- ⌘ Ikke ta glass og bestikk ut av oppvaskmaskinen med en gang etter at programmet er avsluttet for å forhindre skade.

For å vaske følgende bestikk/servise

Ikke egnet:

- ⌘ Bestikk med håndtak i tre, horn, porselen eller perlemor
- ⌘ Plastartikler som ikke tåler varme
- ⌘ Eldre bestikk med limte deler som ikke tåler varme
- ⌘ Limt bestikk eller fat
- ⌘ Tinn- eller koppertøy
- ⌘ Krystallglass
- ⌘ Stål som kan ruste
- ⌘ Trefat
- ⌘ Varer laget av syntetiske fibre

Begrenset egnethet:

- ⌘ Noen typer glass kan bli matte når de har blitt vasket mange ganger
- ⌘ Deler i sølv og aluminium kan bli misfarget under vask
- ⌘ Glaserte mønstre kan visne ved hyppig maskinvask

Anbefalinger for lasting av oppvaskmaskin

Skrap bort store matrester. Mykne brente matrester i panner. Det er ikke nødvendig å skylle oppvasken under rennende vann.

Følg disse retningslinjene for lasting for å at oppvaskmaskinen skal yte best mulig.

(Funksjoner og utseendet til kurver og bestikkurver kan variere fra din modell.)

Plasser gjenstander i oppvaskmaskinen på følgende måte:

- ⌘ Gjenstander som kopper, glass, gryter/panner osv. skal vendes nedover.
- ⌘ Buede gjenstander eller hule gjenstander bør legges skrått slik at vann kan renne av.
- ⌘ Alle redskaper er trygt stablet og kan ikke velte.
- ⌘ Alle redskaper er plassert slik at sprayarmene kan rotere fritt under oppvask.
- ⌘ Legg hule gjenstander som kopper, glass, panner osv. med åpningen vendt nedover slik at vann ikke samles i beholderen eller en dyp base.
- ⌘ Tallerkener og bestikk må ikke ligge inni hverandre eller dekke til hverandre.
- ⌘ For å unngå skade skal ikke glass komme i kontakt.
- ⌘ Lange kniver som plasseres stående, kan være farlige!
- ⌘ Langt og/eller skarpt bestikk, som skjærekniver, må plasseres vannrett i kurven.
- ⌘ Ikke legg for mye i oppvaskmaskinen. Dette er viktig for å få et godt resultat og rimelig strømforbruk.

Merk:

Svært små gjenstander skal ikke vaskes i oppvaskmaskin, da de lett kan falle ut av kurven.

Ta ut oppvasken

For å forhindre at vann drypper fra den øvre kurven ned i den nedre kurven bør du tømme den nedre kurven først og så den øvre kurven.

ADVARSEL



Tingene kommer til å være varme! Ikke ta glass og bestikk ut av oppvaskmaskinen innen cirka 15 minutter etter at programmet er avsluttet.

Laste den øvre kurven

Den øverste kurven er laget for å holde mer delikate og lettere servise som glass og kaffe- og tekopper samt tallerkener, små skåler og grunne panner (så lenge de ikke er for skitne). Plasser servise og kokekar slik at de ikke blir beveget av vannsprayen.



Laste den nedre kurven

Vi foreslår at du plasserer store gjenstander og de som er vanskelig å rengjøre i den nedre kurven, for eksempel gryter, panner, lokk, serveringsfat og skåler, som vist på figuren til høyre. Serveringsfat og lokk på bør helst legges på siden av stativene for å unngå at den øvre sprayarmen hindres fra å dreie. Foran oppvaskmiddeldispenseren kan man kun plassere tallerkener med diameter opptil 19 cm slik at den kan åpnes.



Laste bestikkurven

Bestikk bør plasseres i bestikkurven atskilt fra hverandre i passende posisjoner. Unngå å legge bestikket inni hverandre, da det ikke blir rent.

ADVARSEL



Ikke la noen gjenstander strekke gjennom bunnen.
Legg alltid i skarpe redskaper med den skarpe delen ned!

Funksjonene Til Skyblemiddel Og Oppvaskmiddel

Skyblemiddelet slippes ut under den siste skyllingen for å forhindre at det dannes vannråper på oppvasken, noe som kan lage flekker og striper. Det gjør også at det tørker bedre ved at vann får rulle av oppvasken. Oppvaskmaskinen er designet for å bruke flytende skyblemiddel.

ADVARSEL

Bruk kun skyblemiddel som laget for oppvaskmaskin. Fyll aldri skyblemiddeldispenseren med andre stoffer (f.eks. oppvaskmaskinrens eller flytende oppvaskmiddel).

Det kan skade apparatet.

Når skyblemiddeldispenseren skal fylles på

Hvor ofte dispenseren må fylles på igjen, avhenger av hvor ofte oppvasken tas og innstillingen som brukes for skyblemiddel.

☞ Indikatoren for lite skyblemiddel (☼) lyser når det må tilsettes skyblemiddel.

☞ Ikke overfyll skyblemiddeldispenseren.

Funksjonen til oppvaskmiddel

De kjemiske ingrediensene som oppvaskmiddel består av, er nødvendige for å fjerne, knuse og kaste all skitt ut av oppvaskmaskinen. Det meste av vanlig oppvaskmiddel er egnet for dette formålet.

ADVARSEL

Riktig Bruk av Oppvaskmiddel

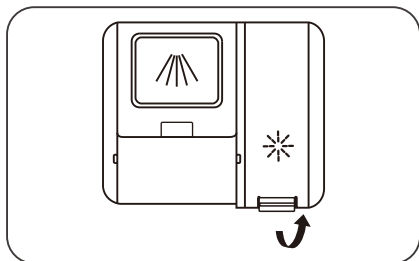
Bruk kun oppvaskmiddel som er laget spesielt for oppvaskmaskin. Hold oppvaskmiddelet friskt og tørt.

Ikke fyll oppvaskmiddel i dispenseren før du er klar til å starte oppvaskmaskinen.



Oppvaskmiddel er etsende! Hold oppvaskmiddel utilgjengelig for barn.

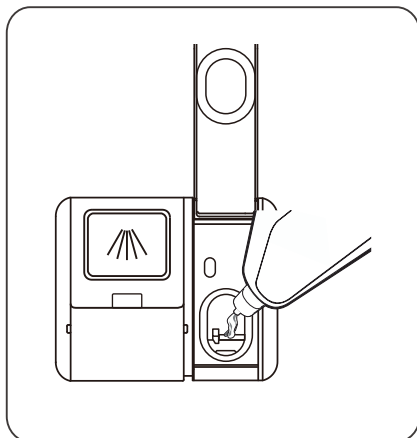
Fylle Skyblemiddelbeholderen



1. Ta av lokket på skyblemiddelbeholderen ved å løfte opp håndtaket.



3. Lukk til slutt lokket.



2. Hell skyblemiddel i dispenserens. Pass på at du ikke overfyller.

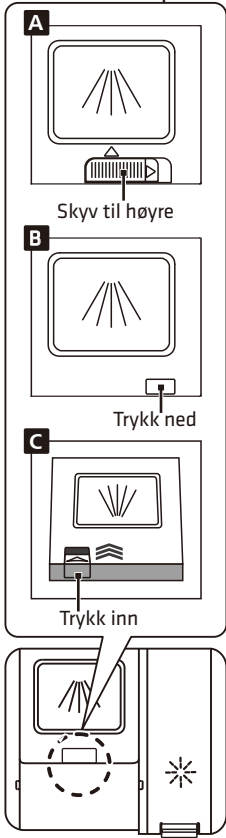
Justere skyblemiddelbeholderen

For å få tørke bedre med begrenset skyblemiddel er oppvaskmaskinen laget slik at forbruket kan justeres. Følg trinnene nedenfor:

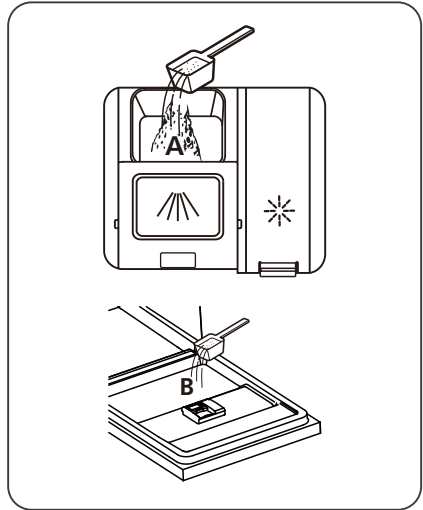
1. Lukk døren, og slå på apparatet.
2. Apparatet skal være slått på. Hold inne Hurtig-knappen i mer enn 5 sekunder. Trykk Utsett-knappen innen 60 sekunder for å gå inn i innstillingsmodus, så blinker skyblemiddelindikatoren en gang i sekundet.
3. Trykk Hurtig-knappen for å velge riktig innstilling i henhold til behov. Det stilles inn i følgende rekkefølge: d3->d4->d5->d1->d2->d3. Jo høyere tallet er, desto mer skyblemiddel bruker oppvaskmaskinen.
4. Trykk ingenting på 5 sekunder eller trykk strømknappen for å fullføre oppsettet og avslutte innstillingsmodus.

Fylle Oppvaskmiddeldispenseren

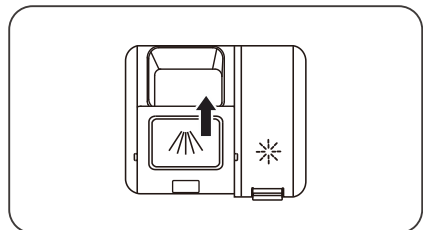
Det er tre måter å åpne lokket på:



1. Åpne henhold til hvordan det faktisk ser ut.
 - A. Åpne lokket ved å skyve låsen.
 - B. Åpne lokket ved å trykke ned låsen.
 - C. Åpne lokket ved å trykke inn låsen.



2. Legg oppvaskmiddel i det større hulrommet (**A**) for hovedvask. For å få et bedre rengjøringsresultat, spesielt hvis oppvasken er veldig skitten, kan du helle litt vaskemiddel på døren. Det ekstra vaskemiddelet aktiveres under forvasken.



3. Lukk klaffen ved å skyve den forover og så trykke den ned.

MERK:


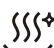




Følg produsentens anbefalinger på emballasjen til oppvaskmiddelet.

PROGRAMMERE OPPVASKMASKINEN

Oppvasksyklustabell

Tabellen nedenfor viser hvilke programmer som er best for mengdene matrester og hvor mye oppvaskmiddel som er nødvendig. Den viser også ulik informasjon om programmene.

● betyr at skyllemiddeldispenseren må fylles.

Program	Beskrivelse av syklus	Vaskemiddel for-/hovedvask	Kjøretid (min.)	Energi (kWh)	Vann (L)	Skyllemiddel
 Auto	Forvask (45 °C) Autovask (55-65 °C) Skyll (50-55 °C) Tørke	$\frac{4/19 \text{ g}}{(1 \text{ eller } 2 \text{ tabletter})}$	85-150	0,850-1,550	8,5-18,0	●
 Hygiene 72°	Vask (72 °C) Skyll Skyll (72 °C) Tørke	$\frac{23 \text{ g}}{(1 \text{ eller } 2 \text{ tabletter})}$	215	1,750	14,0	●
 Stille	Forvask (30 °C) Vask (60 °C) Skyll Skyll (55 °C) Tørke	$\frac{4/19 \text{ g}}{(1 \text{ eller } 2 \text{ tabletter})}$	270	1,250	13,0	●
ECO (*EN60436)	Forvask Vask (50 °C) Skyll Skyll (50 °C) Tørke	$\frac{4/19 \text{ g}}{(1 \text{ eller } 2 \text{ tabletter})}$	198	0,758	9,8	●
 90 min.	Vask (60 °C) Skyll Skyll (60 °C) Tørke	$\frac{23 \text{ g}}{(1 \text{ eller } 2 \text{ tabletter})}$	90	1,350	12,5	●
 58 min.	Forvask (30 °C) Vask (60 °C) Skyll (55 °C) Skyll (50 °C) Tørke	$\frac{4/19 \text{ g}}{(1 \text{ eller } 2 \text{ tabletter})}$	58	1,050	15,0	●
 Hurtig	Vask (45 °C) Skyll (45 °C)	$\frac{12 \text{ g}}{(1 \text{ tablett})}$	30	0,820	11,2	○

MERK:

ECO:
(*EN60436)

ØKO-programmet er egnet til å vaske normalt skittent servise. For denne bruken er dette programmet det mest effektive med tanke på kombinert strøm- og vannforbruk, og programmet brukes til å vurdere samsvar med EUs lovgivning for miljøvennlig design.

Spare Strøm

1. Det å skylle oppvasken på forhånd fører til økt vann- og energiforbruk og anbefales ikke.
2. Oppvask i en oppvaskmaskin til husholdning bruker vanligvis mindre energi og vann enn å vaske opp for hånd, gitt at oppvaskmaskinen brukes i henhold til produsentens instruksjoner.

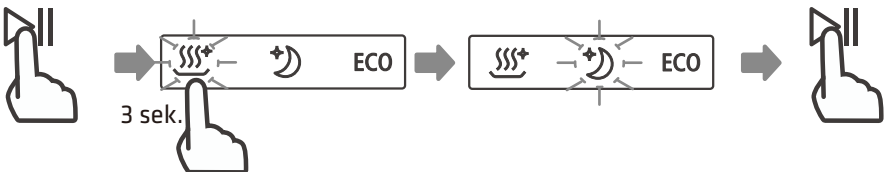
Starte Et program

1. Trekk ut den nedre og øvre kurven, legg i oppvasken, og skyv dem tilbake. Det er best å fylle den nedre kurven først og så den øvre.
2. Hell i oppvaskemidlet.
3. Sett støpselet i kontakten. Strømforsyningen beskrives på produktbladet. Sørg for at vannforsyningen er satt til fullt trykk.
4. Lukk døren og trykk strømknappen for å slå på oppvaskmaskinen.
5. Velg et program, så lyser lampen. Trykk deretter Start/Pause-knappen for å starte syklusen.

Endre Program I Midten Av En Syklus

Programmet kan bare endres hvis det har vært i gang i veldig kort tid, ellers kan vaskemiddelet allerede være sluppet ut eller vaskevannet med vaskemiddel allerede tappet ut. I så fall må oppvaskmaskinen tilbakestilles og oppvaskmiddeldispenseren fylles igjen. Følg fremgangsmåten nedenfor for å tilbakestille oppvaskmaskinen:

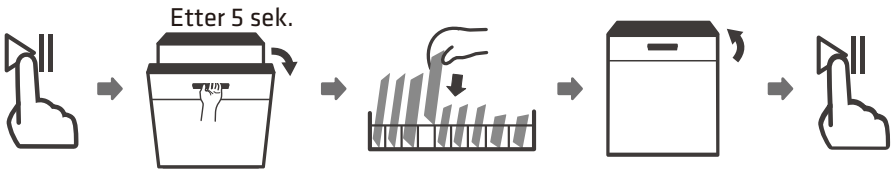
1. Trykk Start/Pause-knappen for å ta pause i oppvasken.
2. Hold inne Program-knappen i mer enn tre sekunder for å sette maskinen i programvalgmodus.
3. Du kan endre programmet til ønsket innstilling.
4. Trykk Start/Pause-knappen, så fortsetter oppvaskmaskinen å kjøre etter 10 sekunder.



Glemt Å Legge Til Litt Oppvask?

Hvis du har glemt å legge i noe, kan du legge det til før oppvaskmiddeldispenseren åpnes. Følg i så fall fremgangsmåten nedenfor:

1. Åpne døren litt for å stoppe oppvasken.
2. Når sprayarmene har stoppet, kan du åpne døren helt.
3. Legg i oppvasken du har glemt.
4. Lukk døren.
5. Oppvaskmaskinen begynner å kjøre igjen.



MERK:



Det er farlig å åpne døren midt i syklusen, da du kan bli brent av varm damp.

Åpne automatisk

Etter vask åpnes døren automatisk for å gi bedre tørkeeffekt.

MERK:

Døren til oppvaskmaskinen må ikke blokkeres når den er satt til å åpnes automatisk.

Dette kan forstyrre funksjonaliteten til dørlåsens.



FEILKODER

Hvis det er en feil, viser oppvaskmaskinen feilkoder for å identifisere disse:

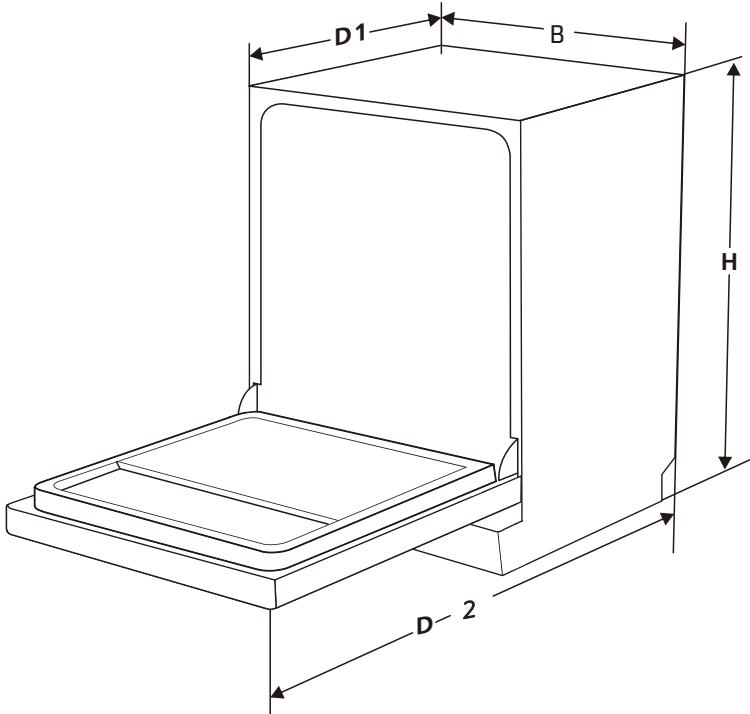
Koder	Betydninger	Mulige årsaker
E1	Lengre innløpstid.	Kranen er ikke åpen, vanninntaket er begrenset, eller vanntrykket er for lavt.
E3	Oppnår ikke nødvendig temperatur.	Feil på varmeelement.
E4	Overflyt.	Noen deler av

		oppvaskmaskinen lekker.
E8	Feil i retningen til fordelerventil	Åpen krets eller brudd på fordelerventilen
Ec	Feil med vaskekontrollsystem	Feil med kretskort eller motor
Ed	Svikt i kommunikasjonen mellom hovedkretskort og displaykretskort.	Åpen krets eller brutte ledninger for kommunikasjonen.

ADVARSEL

- ⌘ Hvis det flyter over, må du slå av hovedvannforsyningen og så be om service.
- ⌘ Hvis det er vann i bunnpannen på grunn av overflyt eller en liten lekkasje, bør du fjerne vannet før du starter oppvaskmaskinen på nytt.
- ⌘ Hvis det er en feilkode som ikke kan løses, ber du om hjelp fra fagperson.

TEKNISK INFORMASJON



Høyde (H)	815 mm
Bredde (B)	598 mm
Dybde (D1)	570 mm (med døren lukket)
Dybde (D2)	1150 mm (med døren åpnet 90°)

Produktinformasjonsark (EN60436)

Leverandørens navn eller varemerke: POINT				
Leverandørens adresse ^(b):				
Modellidentifikator: PODW56042W PODW56042X				
Generelle produktparametere:				
Parameter	Verdi	Parameter	Verdi	
Nominell kapasitet ^(a) (ps)	15	Mål i cm	Høyde	82
			Bredde	60
			Dybde	57
EEI ^(a)	43,9	Energieffektivitetsklasse ^(a)	C ^(c)	
Rengjøringsytelsesindeks ^(a)	1,125	Tørkeytelsesindeks ^(a)	1,065	
Energiforbruk i kWh [per syklus], basert på økoprogrammet med fylling med kaldt vann. Faktisk strømforbruk avhenger av hvordan apparatet brukes.	0,758	Vannforbruk i liter [per syklus], basert på øko-programmet. Faktisk strømforbruk avhenger av hvordan apparatet brukes og hvor hardt vannet er.	9,8	
Programvarighet ^(a) (t:min)	3:18	Type	Frittstående	
Luftbåret akustisk støyutslipp ^(a) (dB (A) ved 1 pW)	42	Luftbåret akustisk støyutslippsklasse ^(a)	B ^(c)	
Avslått (W)	0,49	Ventemodus (W)	I/T	
Utsatt start (W) (hvis aktuelt)	1,00	Nettverksventemodus (W) (hvis aktuelt)	I/T	
Minimum varighet av garantien som tilbys av leverandøren ^(b):				
Ekstra informasjon:				
Nettkobling til leverandørens nettsted, der en finner informasjonen i punkt 6 i Vedlegg II til kommisjonsforordning (EU) 2019/2022 ⁽¹⁾ ^(b) :				
(a) for øko-programmet.				
(b) endringer i disse elementene skal ikke anses som relevante for formålene med paragraf 4 i Artikkel 4 i Forordning (EU) 2017/1369.				
(c) hvis produktbasen automatisk genererer det gjeldende innholdet i denne cellen, skal ikke leverandøren legge inn disse dataene.				
(1) Kommisjonsforordning (EU) 2019/2022 per 1. oktober 2019 om krav til miljødesign for oppvaskmaskiner til husholdninger i henhold til Europaparlaments- og -rådsdirektiv 2009/125/EF om endring av kommisjonsforordning (EF) nr. 1275/2008 og om opphevelse av kommisjonsforordning (EU) nr. 1016/2010 (se side 267 i denne Tidende).				

SPESIFIKASJONER

Modell: PODW56042W PODW56042X

Merkespenning: AC220–240 V, 50 Hz

Strømforbruk: 1760–2100 W



Dette symbolet på produktet eller i anvisningene betyr at det elektriske og elektroniske utstyret må leveres atskilt fra husholdningsavfall når det ikke lenger skal brukes. Det finnes egne innsamlingssystemer for resirkulering i EU. Du får nærmere informasjon ved å kontakte lokale myndigheter eller forhandleren du kjøpte produktet hos.

Power International AS,
Postboks 523, N-1471 Lørenskog, Norge

Power Norge:
<https://www.power.no/kundeservice/>
T: 21 00 40 00

Power Danmark:
<https://www.power.dk/kundeservice/>
T: 70 33 80 80

Punkt 1 Danmark:
<https://www.punkt1.dk/kundeservice/>
T: 70 70 17 07

Power Finland:
<https://www.power.fi/tuki/asiakaspalvelu/>
T: 0305 0305

Power Sverige:
<https://www.power.se/kundservice/>
T: 08 517 66 000

TURVALLISUUSTIEDOT

VAROITUS

Kun käytät astianpesukonetta, noudata alla lueteltuja varotoimenpiteitä:

- Asennuksen ja korjauksen saa suorittaa vain pätevä teknikko.
- Tämä laite on tarkoitettu käytettäväksi kotitalouksissa ja samanlaisissa sovelluksissa kuten:
 - henkilöstön keittiötiloissa kaupoissa, toimistoissa ja muissa työympäristöissä;
 - maataloilla;
 - asiakkaiden toimesta hotelleissa, motelleissa ja muissa asumistyyppisissä ympäristöissä;
 - bed and breakfast -tyyppisissä ympäristöissä.
- Tätä laitetta voivat käyttää vähintään 8-vuotiaat lapset ja henkilöt, joilla on heikentyneet fyysiset, sensoriset tai henkiset kyvyt tai joilla ei ole riittävästi kokemusta tai tietoa, jos heitä on valvottu tai opastettu laitteen turvallisessa käytössä ja jos he ymmärtävät siihen liittyvät vaarat.
- Lapset eivät saa leikkiä laitteella. Lapset eivät saa tehdä puhdistusta ja huoltoa ilman valvontaa (EN60335-1). Tätä laitetta ei ole tarkoitettu sellaisten henkilöiden (mukaan lukien lapset) käyttöön, joilla on heikentyneet fyysiset, sensoriset tai henkiset kyvyt tai joilla ei ole riittävästi kokemusta tai tietoa, ellei heidän

turvallisuudestaan vastaava henkilö ole valvonut tai opastanut heitä laitteen käytössä (IEC60335-1).

- Pakkausmateriaali voi olla vaarallista lapsille!
- Tämä laite on tarkoitettu vain kotitalouksien sisäkäyttöön. Sähköiskun vaaran välttämiseksi älä upota laitetta, verkkovirtajohtoa tai pistoketta veteen tai muuhun nesteeseen.
- Irrota pistoke ennen laitteen puhdistamista ja huoltoa.
- Käytä pehmeää liinaa, joka on kostutettu miedolla saippualla, ja pyyhi se sitten uudelleen kuivalla liinalla.

Maadoitusohjeet

- Tämä laite on maadoitettava. Toimintahäiriön tai vian sattuessa maadoitus vähentää sähköiskun riskiä, koska se tarjoaa sähkövirralle pienimmän vastuksen reitin. Tämä laite on varustettu maadoitusjohtimella varustetulla pistokkeella.
- Pistoke on kytkettävä asianmukaiseen pistorasiaan, joka on asennettu ja maadoitettu kaikkien paikallisten sääntöjen ja määräysten mukaisesti.
- Laitteen maadoitusjohtimen virheellinen kytkentä voi aiheuttaa sähköiskun vaaran.
- Tarkista pätevältä sähköasentajalta tai huoltomieheltä, jos olet epävarma siitä, onko laite maadoitettu oikein.
- Älä muuta laitteen mukana toimitettua pistoketta,

jos se ei sovi pistorasiaan.

- Pyydä pätevää sähköasentajaa asentamaan asianmukainen pistorasia.
- Älä käytä astianpesukoneen luukkuja tai astianpesukoneen telineitä väärin, älä istu tai seiso niiden päällä.
- Älä käytä astianpesukonetta, elleivät kaikki kotelopaneelit ole kunnolla paikoillaan.
- Avaa ovi hyvin varovasti, jos astianpesukone on toiminnassa, sillä vesi saattaa roiskua ulos.
 - Älä aseta raskaita esineitä luukun päälle tai seiso luukun päällä, kun se on auki. Laite voi kaatua eteenpäin.
- Kun pestäviä esineitä lastataan:
 1. Sijoita terävät esineet hyvin niin, etteivät ne todennäköisesti vahingoita oven tiivistettä;
 2. Varoitus: Veitset ja muut teräväkärkiset välineet on lastattava koriin siten, että niiden kärjet ovat alaspäin tai vaakasuorassa asennossa.
- Jotkin astianpesuaineet ovat voimakkaasti emäksisiä. Ne voivat olla erittäin vaarallisia nieltynä. Vältä kosketusta ihon ja silmien kanssa ja pidä lapset poissa astianpesukoneen luukun ollessa auki.
- Tarkista, että pesuainepöly on tyhjä pesuohjelman päätyttyä.
- Älä pese muoviesineitä, ellei niissä ole merkintää "astianpesukoneen kestävä" tai vastaavaa.
- Tarkista merkitsemättömien muoviesineiden osalta

valmistajan suositukset.

- Käytä vain automaattisessa astianpesukoneessa käytettäväksi suositeltuja pesu- ja huuhteluaineita.
 - Älä koskaan käytä saippuaa, pyykinpesuainetta tai käsitiskiaineita astianpesukoneessa.
 - Luukkua ei saa jättää auki, koska se voi lisätä kompastumisvaaraa.
 - Jos verkkovirtajohto on vaurioitunut, tulee valmistajan tai sen huoltoedustajan tai vastaavan pätevyyden omaavan henkilön vaihtaa se vaaran välttämiseksi.
 - Virtalähdettä ei saa asennuksen aikana taivuttaa tai litistää liikaa tai vaarallisesti.
 - Älä peukaloi hallintalaitteita.
 - Laite on liitettävä päävesiventtiiliin uusilla letkuserjoilla. Vanhoja sarjoja ei saa käyttää uudelleen.
 - Energian säästämiseksi laite kytkeytyy valmiustilassa automaattisesti pois päältä, kun laite ei toimi 15 minuuttiin.
- Pestävien astiastojen enimmäismäärä on 15.
Suurin sallittu tuloveden paine on 1MPa.
Pienin sallittu tulovedenpaine on 0,04 MPa.

Hävittäminen

- Hävitä pakkaus ja laite kierrätyskeskukseen, katkaise virtajohto ja tee luukun sulkemislaitte käyttökelvottomaksi.
- Pahvipakkaukset valmistetaan kierrätyspaperista,

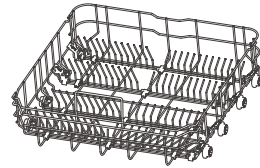
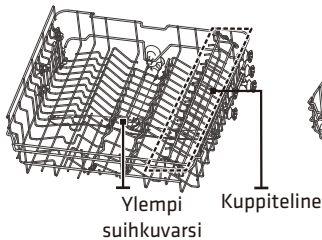
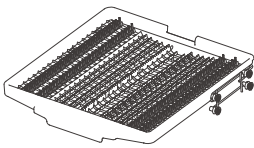
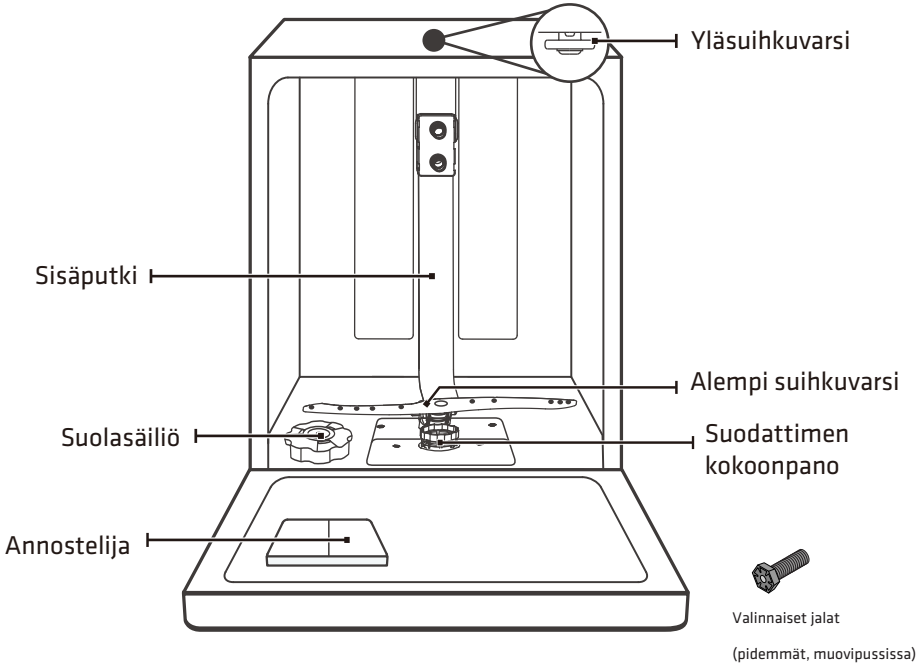
ja ne on toimitettava jätepaperinkeräykseen kierrätystä varten.

- Varmistamalla, että tämä tuote hävitetään oikein, autat ehkäisemään mahdollisia ympäristöön ja ihmisten terveyteen kohdistuvia kielteisiä seurauksia, joita tämän tuotteen epäasianmukainen jätteenkäsittely voisi muuten aiheuttaa.
- Tarkempia tietoja tämän tuotteen kierrätyksestä saat paikallisesta kaupunginvirastosta ja kotitalousjätteen hävittämispalvelusta.
- **HÄVITTÄMINEN: Älä hävitä tätä tuotetta lajittelemattomana yhdyskuntajätteenä. Tällaiset jätteet on kerättävä erikseen erityiskäsittelyä varten.**

TUOTEKATSAUS

TÄRKEÄÄ:

Jotta saat astianpesukoneesta parhaan mahdollisen suorituskyvyn, lue kaikki käyttöohjeet ennen ensimmäistä käyttökertaa.



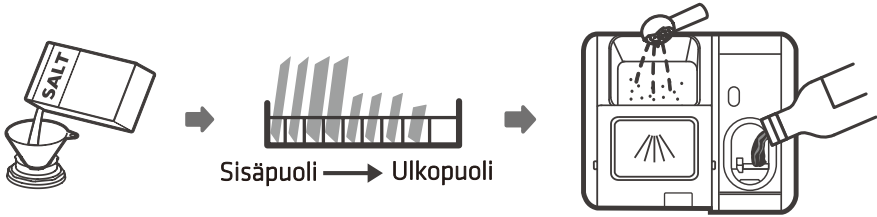
FI

HUOM:

Kuvat ovat vain viitteellisiä, eri mallit voivat olla erilaisia. Noudata varsinaista tuotetta.

ASTIANPESUKONEEN KÄYTTÖ

Ennen astianpesukoneen käyttöä:



1. Aseta vedenpehmennin
2. Suolan lisääminen pehmentimeen
3. Korin lastaaminen
4. Täytä annostelija

HUOM:

Tarkista kohta "Vedenpehmennin". Jos sinun on asetettava vedenpehmennin.

Suolan lisääminen pehmentimeen

HUOM:

Jos mallissasi ei ole vedenpehmenintä, voit ohittaa tämän osan.

Käytä aina astianpesukoneeseen tarkoitettua suolaa.

Suolasäiliö sijaitsee korin alla, ja se on täytettävä seuraavassa selostetulla tavalla:

VAROITUS

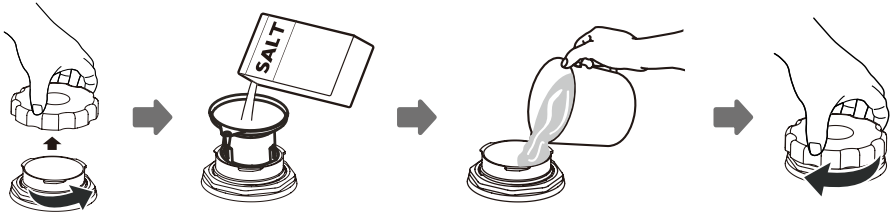
⌘ Käytä vain erityisesti astianpesukoneisiin tarkoitettua suolaa!

Kaikki muut suolatyytit, joita ei ole erityisesti suunniteltu astianpesukoneiden käyttöön, erityisesti ruokasuola, vahingoittavat vedenpehmenintä. Jos sopimattoman suolan käytöstä aiheutuu vahinkoja, valmistaja ei anna mitään takuuta eikä ole vastuussa aiheutuneista vahingoista.

⌘ Täytä suolalla vain ennen syklin suorittamista.

Näin estetään, että koneen pohjalle jää mahdollisesti valuneet suolajyvät tai suolainen vesi, joka voi aiheuttaa korroosiota, jäävät koneen pohjalle joksikin aikaa.

Noudata alla olevia ohjeita astianpesukonesuolan lisäämiseksi:



1. Irrota kori ja ruuvaa säiliön korkki irti.
2. Aseta mukana toimitetun suppilon pää reikään ja kaada noin 1 kg astianpesukonesuolaa.
3. Ennen ensimmäistä pesukertaa täytä suolasäiliö täyteen vettä. On normaalia, että suolasäiliöstä tulee pieni määrä vettä.
4. Kun säiliö on täytetty, kierrä korkki tiukasti takaisin.
5. Suolan varoitusvalo lakkaa vilkkumasta, kun suolasäiliö on täytetty suolalla.
6. Heti suolan täyttämisen jälkeen suolasäiliöön on käynnistettävä pesuohjelma (suosittelemme lyhyttä ohjelmaa). Muuten suodatinjärjestelmä, pumppu tai muut koneen tärkeät osat voivat vaurioitua suolaisen veden vaikutuksesta. Tämä on takuun ulkopuolella.

HUOM:

⌘ Suolasäiliö on täytettävä vasta, kun ohjauspaneelissa oleva suolan varoitusvalo (⚠) syttyy. Suolan liukenemisen tasosta riippuen suolan varoitusvalo voi palaa, vaikka suolasäiliö on täynnä. Jos ohjauspaneelissa ei ole suolan varoitusvaloa (joissakin malleissa), voit arvioida astianpesukoneen suorittamien kierrosten perusteella, milloin suola on täytettävä pehmentimeen.

⌘ Jos suolaa on päässyt valumaan, poista se liotuksella tai pikaohjelmalla.

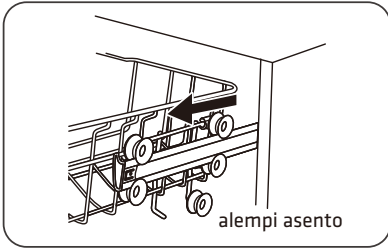
Korin käyttövinkit

Ylemmän korin säätäminen

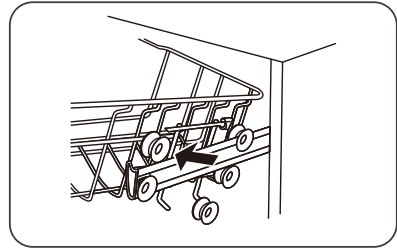
Tyyppi 1:

Ylemmän korin korkeutta voidaan helposti säätää, jotta korkeammat astiat mahtuvat joko ylempään tai alempaan koriin.

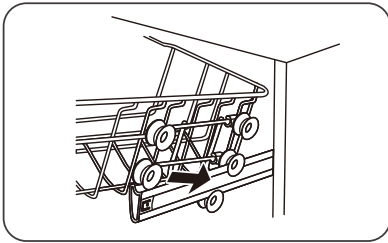
Voit säätää ylemmän telineen korkeutta seuraavasti:



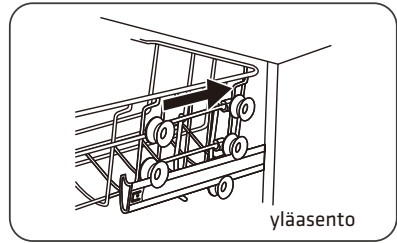
1. Vedä ylempi kori ulos.



2. Irrota ylempi kori.

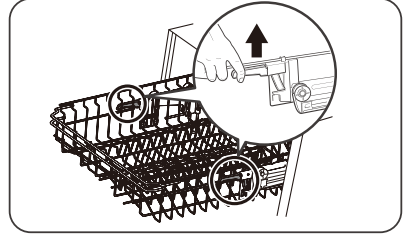
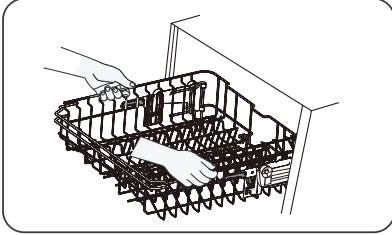


3. Kiinnitä ylempi kori uudelleen ylempiin tai alempiin teloihin.



4. Työnnä ylempi kori sisään.

Tyyppi 2:

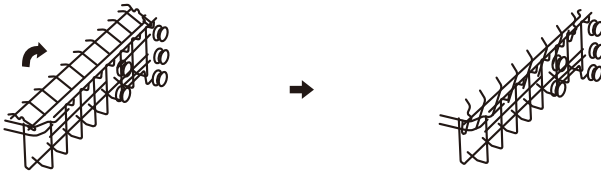


1. Nosta ylempää koria vain nostamalla ylem্পää koria kummankin puolen keskeltä, kunnes kori lukittuu paikalleen yläasentoon. Säätökahvaa ei tarvitse nostaa.

2. Kun haluat laskea ylempään korin, nosta kummallakin puolella olevia säätökahvoja korin vapauttamiseksi ja laskemiseksi ala-asentoon.

Kuppihyllyjen taittaminen takaisin

Nosta kuppitelinettä ylöspäin, jotta ylempässä korissa on tilaa korkeammille esineille. Voit sitten nojata korkeat lasit sitä vasten. Voit myös poistaa sen, kun sitä ei tarvita.

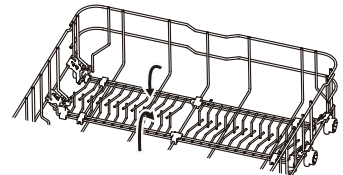
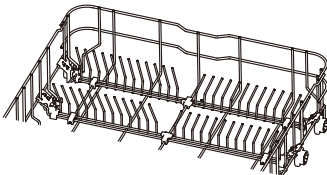


Telineen hyllyjen taittaminen taaksepäin

Alemman korin piikkejä käytetään lautasten ja lautasen pitämiseen. Niitä voidaan laskea alas, jotta suurille tavaroille saadaan enemmän tilaa.

nosta ylöspäin

taita taaksepäin



HUOLTO JA PUHDISTUS

Ulkoinen Hoito

Ovi ja oven tiiviste

Puhdista oven tiivisteet säännöllisesti pehmeällä kostealla liinalla ruokakertymien poistamiseksi. Kun astianpesukonetta täytetään, ruoka- ja juomajäämiä voi tippua astianpesukoneen luukun sivuille. Nämä pinnat ovat pesukaapin ulkopuolella, eikä vesi pääse suihkuvarren kautta näille pinoille. Mahdolliset kerrostumat on pyyhittävä pois ennen oven sulkemista.

Ohjauspaneeli

Jos puhdistus on tarpeen, ohjauspaneeli on pyyhittävä vain pehmeällä kostealla liinalla.

VAROITUS

- ⌘ Älä käytä minkäänlaista suihkupuhdistusainetta, jotta vesi ei pääse tunkeutumaan ovilukkoon ja sähköisiin komponentteihin.
- ⌘ Älä koskaan käytä hankaavia puhdistusaineita tai hankaustyynyjä ulkopinnoilla, koska ne voivat naarmuttaa pinnan. Jotkin paperipyhkeet saattavat myös naarmuttaa tai jättää jälkiä pintaan.

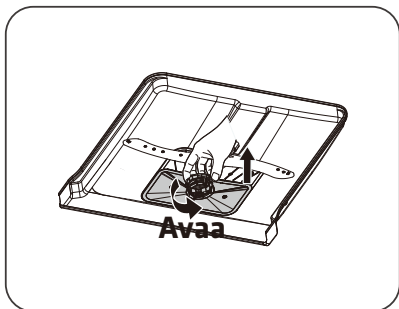
Sisäinen Hoito

Suodatusjärjestelmä

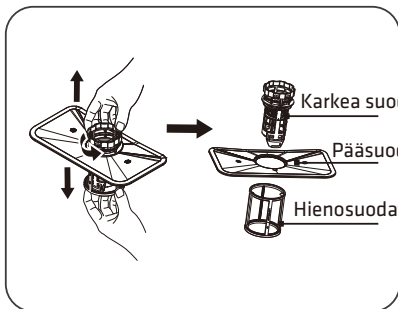
Pesukaapin pohjassa oleva suodatusjärjestelmä pidättää pesuohjelmassa syntyvät karkeat roskat. Kerääntyneet karkeat roskat voivat aiheuttaa suodattimien tukkeutumisen. Tarkista suodattimien kunto säännöllisesti ja puhdista ne tarvittaessa juoksevan veden alla. Puhdista astianpesukoneen suodattimet seuraavien ohjeiden mukaisesti.

HUOM:

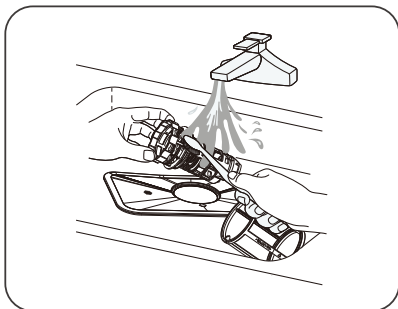
Kuvat ovat vain viitteellisiä, suodatusjärjestelmän ja suihkuvarren eri mallit voivat olla erilaisia. Pysyttele kaltaisissa.



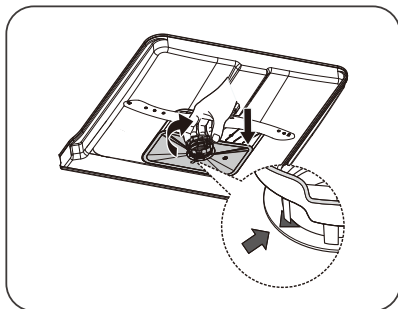
1. Pidä kiinni karkeasuodattimesta ja käännä sitä vastapäivään suodattimen lukituksen avaamiseksi. Nosta suodatin ylöspäin ja ulos astianpesukoneesta.



2. Hienosuodatin voidaan irrottaa suodatinyksikön pohjasta. Karkeasuodatin voidaan irrottaa pääsuodattimesta puristamalla varovasti sen yläosassa olevia kielekkeitä ja vetämällä se irti.



3. Suuremmat ruoan jäänteet voidaan puhdistaa huuhtelemalla suodatin juoksevan veden alla. Jos haluat perusteellisemmän puhdistuksen, käytä pehmeää puhdistusharjaa.



4. Asenna suodattimet uudelleen päinvastaisessa järjestyksessä kuin purkamisen, aseta suodatinlevy takaisin paikalleen ja käännä myötäpäivään lähimpään nuoliin.

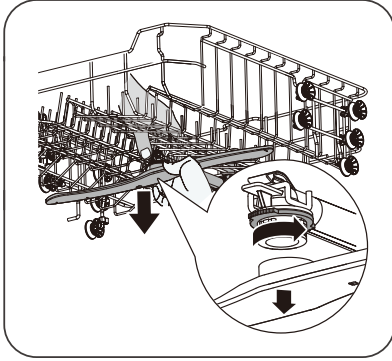
VAROITUS

- ⌘ Älä kiristä suodattimia liikaa. Aseta suodattimet takaisin järjestykseen, sillä muuten karkeat roskat voivat päästä järjestelmään ja aiheuttaa tukoksen.
- ⌘ Älä koskaan käytä astianpesukonetta ilman suodattimia. Suodattimen vaihtaminen väärin voi heikentää laitteen suorituskykyä ja vahingoittaa astioita ja välineitä.

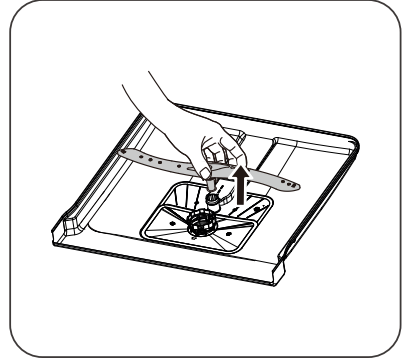
Suihkuvarret

Suihkuvarret on puhdistettava säännöllisesti, sillä kovan veden kemikaalit tukkivat suihkuvarren suihkut ja laakerit.

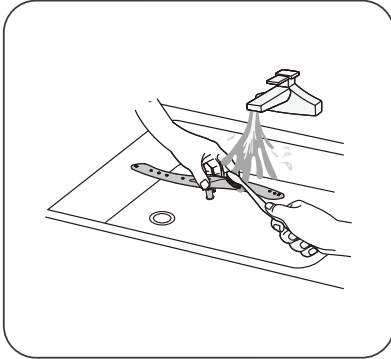
Puhdista suihkuvarret alla olevien ohjeiden mukaisesti:



1. Kun haluat irrottaa ylemmän suihkuvarren, pidä mutteria keskellä paikallaan ja irrota suihkuvarsi kiertämällä sitä vastapäivään.



2. Irrota alempi suihkuvarsi vetämällä suihkuvarsi ylöspäin.



3. Pese suihkuvarret saippuvedellä ja lämpimällä vedellä ja käytä pehmeää harjaa suihkujen puhdistamiseen. Aseta ne takaisin paikalleen huuhdeltuasi ne huolellisesti.

Astianpesukoneen Hoitaminen

Pakkassuojan varotoimi

Toteuta astianpesukoneen pakkassuojatoimenpiteet talvella. Toimi jokaisen pesuohjelman jälkeen seuraavasti:

1. Katkaise astianpesukoneen sähkövirta virtalähteestä.
2. Sulje veden syöttö ja irrota veden tuloputki vesiventtiilistä.
3. Tyhjennä vesi tuloputkesta ja vesiventtiilistä. (Käytä kattilaa veden keräämiseen)
4. Kytke veden tuloputki uudelleen vesiventtiiliin.
5. Irrota altaan pohjassa oleva suodatin ja käytä sieniä imeäksesi vettä altaaseen.

Jokaisen pesun jälkeen

Sulje laitteen veden syöttö jokaisen pesukerran jälkeen ja jätä ovi hieman auki, jotta kosteus ja hajut eivät jää sisälle.

Irrota pistoke

Irrota aina pistoke pistorasiasta ennen puhdistusta tai huoltoa.

Ei liuottimia tai hankaavaa puhdistusta

Älä käytä astianpesukoneen ulko- ja kumiosien puhdistamiseen liuottimia tai hankaavia puhdistusaineita. Käytä vain liinaa ja lämmintä saippuavettä. Jos haluat poistaa tahrat tai tahrat sisätilojen pinnalta, käytä liinaa, joka on kostutettu vedellä, johon on lisätty hieman etikkaa, tai erityisesti astianpesukoneille tarkoitettua puhdistusainetta.

Kun sitä ei käytetä pitkään aikaan

On suositeltavaa, että suoritat pesuohjelman, kun astianpesukone on tyhjä, ja irrotat sen jälkeen pistokkeen pistorasiasta, suljet vedensyötön ja jätät laitteen oven hieman auki. Näin oven tiivisteet kestävät pidempään ja estävät hajujen muodostumisen laitteen sisällä.

Laitteen siirtäminen

Jos laitetta on siirrettävä, yritä pitää se pystyasennossa. Jos se on ehdottoman välttämätöntä, se voidaan asettaa selälleen.

Tiivisteet

Yksi tekijä, joka aiheuttaa hajujen muodostumista astianpesukoneeseen, on tiivisteisiin jäänyt ruoka. Säännöllinen puhdistus kostealla sienellä estää tämän tapahtumisen.

ASENNUSOHJEET

VAROITUS



Sähköiskun vaara

Katkaise sähkövirta ennen astianpesukoneen asentamista. Laiminlyönti voi johtaa kuolemaan tai sähköiskuun.

Huomio

Putkien ja sähkölaitteiden asennuksen tulisi olla ammattilaisten tekemä.

Tietoja virtaliitännästä

VAROITUS

Henkilökohtaisen turvallisuuden vuoksi:

- ⌘ Älä käytä jatkojohtoa tai sovitinpistoketta tämän laitteen kanssa.
- ⌘ Älä missään tapauksessa katkaise tai poista maadoitusliitäntää kaapelista.

Sähköiset vaatimukset

Katso nimellisjännite arvokilvestä ja kytke astianpesukone asianmukaiseen virtalähteeseen. Käytä vaadittua sulaketta 10A/13A/16A, suositeltua aikaviivotussulaketta tai katkaisijaa ja erillistä virtapiiriä, joka palvelee vain tätä laitetta.

Sähköliitäntä

Varmista, että virran jännite ja taajuus vastaavat arvokilvessä olevia arvoja. Työnnä pistoke vain asianmukaisesti maadoitettuun pistorasiaan. Jos pistorasia, johon laite on kytkettävä, ei sovi pistokkeelle, vaihda pistorasia eikä käytä sovitinta tai vastaavaa, sillä ne voivat aiheuttaa ylikuumenemista ja palovammoja.

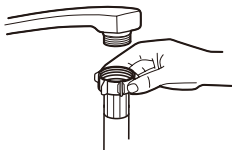
Varmista ennen käyttöä, että laitteessa on asianmukainen maadoitus.

Vesihuolto ja Viemäröinti

Kylmän veden liitäntä

Kytke kylmän veden syöttöletku 3/4 (tuuman) kierteiseen liittimeen ja varmista, että se on kiinnitetty tiukasti paikalleen.

Jos vesiputket ovat uusia tai niitä ei ole käytetty pitkään aikaan, anna veden juosta varmistaaksesi, että vesi on kirkasta. Tämä varotoimenpide on tarpeen, jotta vältetään veden tuloaukon tukkeutumisen ja laitteen vaurioitumisen vaara.



tavallinen syöttöletku



turvasyöttöletku

Tietoja turvasyöttöletkusta

Turvasyöttöletku koostuu kaksoiseinämisestä. Letkun järjestelmä takaaveden virtauksen katkaisemisen, mikäli syöttöletku rikkoutuu, ja kun syöttöletkun ja ulomman aaltomaisen letkun väliin jäävä tila täyttyy vedellä.

VAROITUS

Pesualtaan suihkuun kiinnitettävä letku voi rikkoutua, jos se on asennettu samaan vesijohtoon astianpesukoneen kanssa. Jos lavuaarissasi on sellainen, on suositeltavaa irrottaa letku ja tukkia reikä.

Miten turvasyöttöletku liitetään

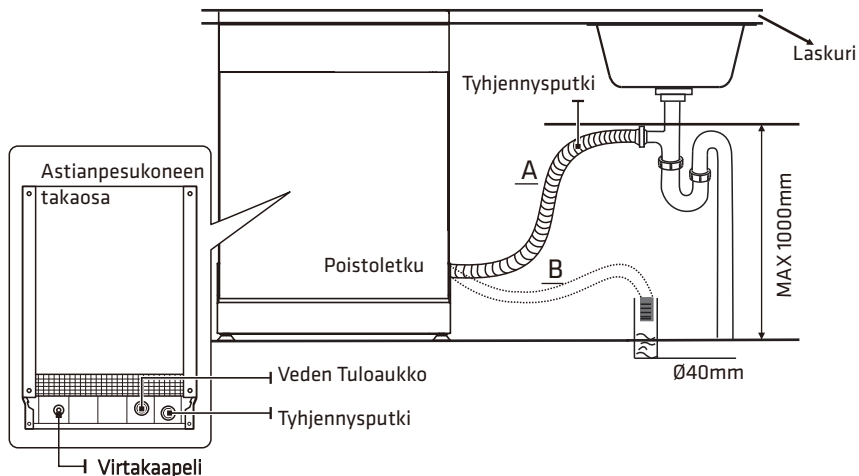
1. Vedä turvasyöttöletkut kokonaan ulos astianpesukoneen takaosassa olevasta säilytyslokerosta.
2. Kiristä turvasyöttöletkun ruuvit hanaan 3/4 tuuman kierteellä.
3. Kytke vesi täysin päälle ennen astianpesukoneen käynnistämistä.

Miten irrotetaan turvasyöttöletku

1. Sulje vesi.
2. Irrota varoventtiilin syöttöletku hanasta.

Tyhjennysletkujen Liitäntä

Työnnä tyhjennysletku halkaisijaltaan vähintään 4 cm:n viemäriputkeen tai anna sen valua lavuaariin ja varmista, että sitä ei taivuteta tai puristeta. Viemäriputken korkeuden on oltava alle 600 mm. Letkun vapaata päätä ei saa upottaa veteen, jotta vältetään takaisinvirtaus. Kiinnitä tyhjennysletku tukevasti joko asentoon A tai asentoon B.



Miten tyhjenetään ylimääräinen vesi letkuista

Jos pesuallas on 1000 mm korkeammalla lattiasta, letkuissa olevaa ylimääräistä vettä ei voida johtaa suoraan pesualtaaseen. Ylimääräinen vesi on valutettava letkuista kulhoon tai sopivaan astiaan, jota pidetään ulkona ja pesualtaita alempana.

Veden ulostulo

Liitä vedenpoistoletku. Tyhjennysletku on asennettava oikein vesivuotojen välttämiseksi. Varmista, että vedenpoistoletku ei ole mutkalla tai puristuksissa.

Jatkoletku

Jos tarvitset tyhjennysletkun jatkeen, varmista, että käytät samanlaista tyhjennysletkua.

Se ei saa olla yli 4 metriä pitkä; muutoin astianpesukoneen puhdistusteho voi heikentyä.

Syphon-liitäntä

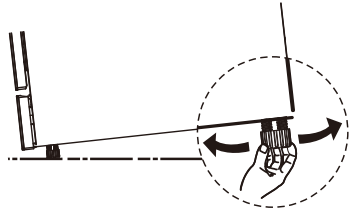
Jäteliitäntän on oltava alle 100 cm:n korkeudella (enintään) astianpesukoneen pohjasta. Vedenpoistoletku olisi kiinnitettävä.

Aseta Laite Paikalleen

Aseta laite haluttuun paikkaan. Takaosan tulisi nojata takana olevaan seinään, ja sivujen tulisi nojata viereisiin kaappeihin tai seiniin. Astianpesukone on varustettu veden syöttö- ja tyhjennysletkuilla, jotka voidaan sijoittaa joko oikealle tai vasemmalle puolelle asianmukaisen asennuksen helpottamiseksi.

Laitteen tasaaminen

Kun laite on sijoitettu tasausta varten, astianpesukoneen korkeutta voidaan muuttaa jalkojen ruuvitasoa säätämällä. Laite ei missään tapauksessa saa olla kallistettuna yli 2°.



HUOM:

Koskee vain vapaasti seisovaa astianpesukonetta.

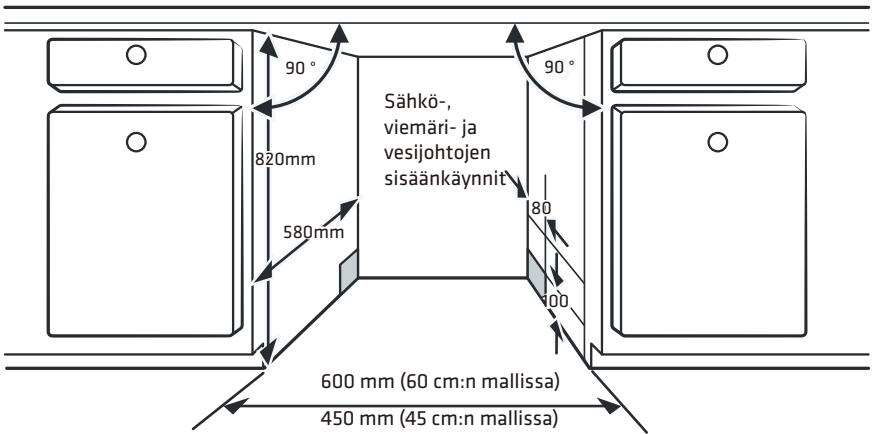
Sisäänrakennettu asennus(integroitua mallia varten)

Vaihe 1. Astianpesukoneen parhaan sijoituspaikan valitseminen

Astianpesukoneen asennuspaikan on oltava lähellä olemassa olevia tulo- ja tyhjennysletkuja ja virtajohtoa.

Kuvat kaapin mitoista ja astianpesukoneen asennusasennosta.

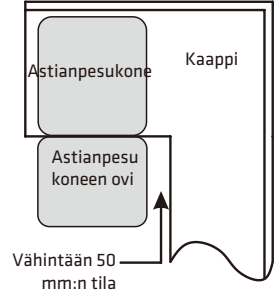
1. Astianpesukoneen ja kaapin yläreunan välinen etäisyys on alle 5 mm ja ulkovi on linjassa kaapin kanssa.



2. Jos astianpesukone on sijoitettu kaapin nurkkaan, oven avaamisen yhteydessä on oltava tilaa.

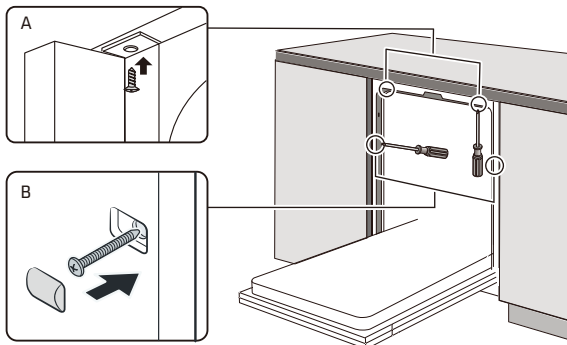
HUOM:

Riippuen siitä, missä pistorasiasi on, sinun on ehkä leikattava reikä kaapin vastakkaiseen kylkeen.



Vaihe 2. Astianpesukoneen asennusvaiheet

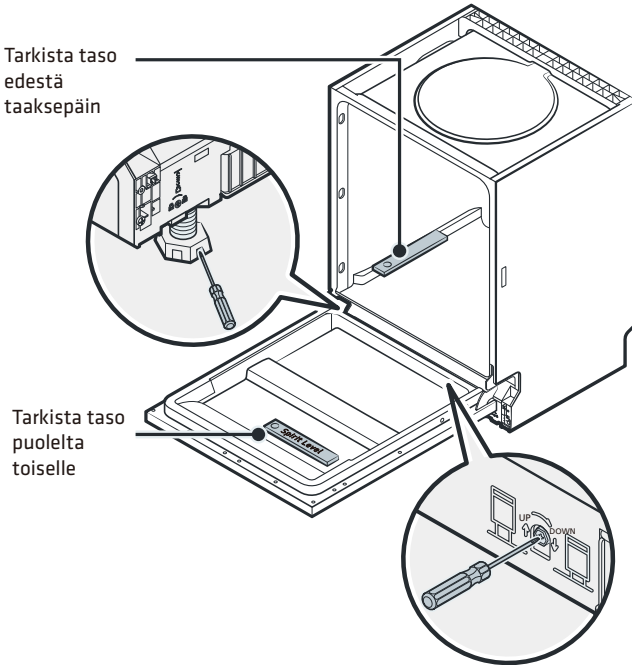
1. Kiinnitä tulvasuoja kaapin työtason alle. Varmista, että tulvasuoja on työtason reunan tasalla.
2. Kytke tuloletku kylmävesijohtoon.
3. Liitä tyhjennysletku.
4. Kytke virtajohto.
5. Aseta astianpesukone paikoilleen.
6. Tasoita astianpesukone. Takajalkaa voidaan säätää astianpesukoneen etuosasta kääntämällä astianpesukoneen pohjan keskellä olevaa Philips-ruuvia Philips-ruuvilla. Säädä etujalkoja käyttämällä litteää ruuvimeisseliä ja kääntämällä etujalkoja, kunnes astianpesukone on vaakasuorassa.
7. Säädä oven jousien kireyttä käyttämällä kuusiokoloavainta kiertämällä myötäpäivään vasenta ja oikeaa oven jousia. Jos näin ei tehdä, astianpesukone voi vahingoittua.
8. Astianpesukone on kiinnitettävä paikalleen. Tämä voidaan tehdä kahdella tavalla:
 - A. Normaali työpinta: Aseta asennuskoukku sivutason aukkoon ja kiinnitä se työpintaan puuruuveilla.
 - B. Marmori- tai graniittityötaso: Kiinnitä sivu ruuvilla.



Vaihe 3. Astianpesukoneen tasoittaminen

Astianpesukoneen on oltava vaakatasossa, jotta astianpesuteline toimii oikein ja pesutulos on hyvä.

1. Aseta vesivaaka oven ja telineen kiskon päälle ammeen sisäpuolelle kuvan mukaisesti tarkistaaksesi, että astianpesukone on vaakatasossa.
2. Tasaa astianpesukone säätämällä kolmea tasoitusjalkaa erikseen.
3. Kun tasoitat astianpesukonetta, kiinnitä huomiota siihen, ettei astianpesukone kaadu.



HUOM:

Jalkojen enimmäissäätökorkeus on 70 mm.

VIANMÄÄRITYSVIHJEITÄ

Ennen Huoltoon Soittamista

Seuraavilla sivuilla olevien taulukoiden tarkastelu voi säästää sinut huollon kutsumiselta.

Ongelma	Mahdolliset Syyt	Mitä Tehdä
Astianpesukone ei käynnisty	Sulake on palanut tai virtapiiriin katkaisija on lauennut.	Vaihda sulake tai nollaa katkaisija. Irrota kaikki muut laitteet, jotka ovat samassa virtapiirissä astianpesukoneen kanssa.
	Virtalähde ei ole päällä.	Varmista, että astianpesukone on kytketty päälle ja että sen ovi on kunnolla kiinni. Varmista, että virtajohto on kytketty kunnolla pistorasiaan.
	Vedenpaine on alhainen.	Tarkista, että veden syöttö on kytketty kunnolla ja että vesi on kytketty päälle.
	Astianpesukoneen luukku ei ole kunnolla kiinni.	Varmista, että suljet oven kunnolla ja lukitset sen.
Astianpesukoneesta ei pumpata vettä	Vääntynyt tai jumittunut tyhjennysletku.	Tarkista tyhjennysletku.
	Suodatin tukossa.	Tarkista karkeasuodatin.
	Keittiön tiskiallas tukossa.	Tarkista, että tiskiallas tyhjenee hyvin. Jos ongelma on keittiön tiskiallas, joka ei tyhjene, saatat tarvita pikemminkin putkimestä kuin astianpesukoneiden huoltomiestä.
Vaahto koneessa	Väärä pesuaine.	Käytä vain erityistä astianpesukonetta pesuainetta vaahdon välttämiseksi. Jos näin käy, avaa astianpesukone ja anna vaahdon haihtua. Lisää 3,5

Ongelma	Mahdolliset Syyt	Mitä Tehdä
		litraa kylmää vettä astianpesukoneen pohjalle. Sulje astianpesukoneen luukku ja valitse sitten mikä tahansa jakso. Aluksi astianpesukone tyhjentää veden. Avaa luukku tyhjennysvaiheen päätyttyä ja tarkista, onko vaahto hävinnyt. Toista tarvittaessa.
	Läikkynyt huuhteluaine.	Pyyhi huuhteluainevuodot aina välittömästi.
Värjäytynyt sisäpuoli	Väriainetta sisältävää pesuainetta on saatettu käyttää.	Varmista, että pesuaineessa ei ole väriainetta.
Valkoinen kalvo sisäpinnalla	Kovan veden mineraalit.	Puhdista sisätilat kostealla sienellä, johon on lisätty astianpesuainetta, ja käytä kumihanskoja. Älä koskaan käytä muita puhdistusaineita kuin astianpesuainetta, sillä muuten se voi aiheuttaa vaahtoamista.
Ruokailuvälineissä on ruostetahroja	Kyseiset tuotteet eivät ole korroosionkestäviä.	Vältä pesemästä astianpesukoneessa esineitä, jotka eivät ole korroosionkestäviä.
	Ohjelmaa ei ajettu astianpesukoneen suolan lisäämisen jälkeen. Suolan jäljet ovat päässeet pesuohjelmaan.	Suolan lisäämisen jälkeen on aina suoritettava pesuohjelma ilman astioita. Älä valitse Turbo-toimintoa (jos on) astianpesukonesuolan lisäämisen jälkeen.
	Pehmentimen kansi on löysällä.	Tarkista, että pehmentimen kansi on kunnolla kiinni.
Astianpesukoneen koputusääni	Suihkuvarsi kolhii korissa olevaa esinettä.	Keskeytä ohjelma ja järjestä ruiskutusvarren esteenä olevat kohteet uudelleen.
Astianpesukoneen	Astioita on irronnut	Keskeytä ohjelma ja järjestä

Ongelma	Mahdolliset Syyt	Mitä Tehdä
kolina	astianpesukoneessa.	astiat uudelleen.
Koputusääni vesiputkissa	Tämä voi johtua asennuksesta paikan päällä tai putkiston poikkileikkauksesta.	Tämä ei vaikuta astianpesukoneen toimintaan. Jos olet epävarma, ota yhteyttä pätevään putkimieheen.
Astiat eivät ole puhtaita	Astioita ei ollut ladattu oikein.	Katso "Astioiden Valmistelu Ja Täyttäminen".
	Ohjelma ei ollut tarpeeksi tehokas.	Valitse intensiivisempi ohjelma.
	Pesuainetta annosteltiin liian vähän.	Käytä enemmän pesuainetta tai vaihda pesuainetta.
	Esineet estävät suihkuvarsien liikkeen.	Järjestä esineet uudelleen niin, että suihku pääsee pyörimään vapaasti.
	Suodatin yhdistelmä ei ole puhdas tai sitä ei ole asennettu oikein pesukaapin pohjaan. Tämä voi aiheuttaa suihkuvarren suihkujen tukkeutumisen.	Puhdista ja/tai asenna suodatin oikein. Puhdista suihkuvarren suuttimet.
Lasiesineiden sameus	Pehmeän veden ja liian suuren pesuaineen yhdistelmä.	Käytä vähemmän pesuainetta, jos käytössäsi on pehmeää vettä, ja valitse lyhyempi pesuohjelma lasiesineiden pesemiseksi ja niiden puhdistamiseksi.
Astioihin ja lasihin ilmestyy valkoisia täpliä	Kova vesi voi aiheuttaa kalkkisaostumia.	Lisää pesuainetta.
Mustat tai harmaat jäljet astioissa	Alumiiniset astiat ovat hankautuneet astioita vasten.	Käytä mietoa hankaavaa puhdistusainetta näiden jälkien poistamiseksi.
Pesuaine jätetty annostelijaan	Astiat tukkivat pesuaineannostelijan.	Astioiden täyttäminen uudelleen asianmukaisesti.
Tiskit eivät kuivu	Virheellinen kuorma.	Lataa astianpesukone ohjeiden mukaisesti.

Ongelma	Mahdolliset Syyt	Mitä Tehdä
	Astiat poistetaan liian pian.	Älä tyhjennä astianpesukonetta heti pesun jälkeen. Avaa ovea hieman, jotta höyry pääsee ulos. Ota astiat ulos, kunnes sisälämpötila on kosketusvaaraton. Pura alempi kori ensin, jotta vettä ei pääse tippumaan ylemmästä korista.
	Väärä ohjelma on valittu.	Lyhyellä ohjelmalla pesulämpötila on alhaisempi, mikä heikentää puhdistustehoa. Valitse ohjelma, jossa on pitkä pesuaika.
	Huonolaatuisesti pinnoitettujen ruokailuvälineiden käyttö.	Veden poisjohtaminen on vaikeampaa näissä kohteissa. Tämantyyppiset ruokailuvälineet tai astiat eivät sovellu astianpesukoneeseen.

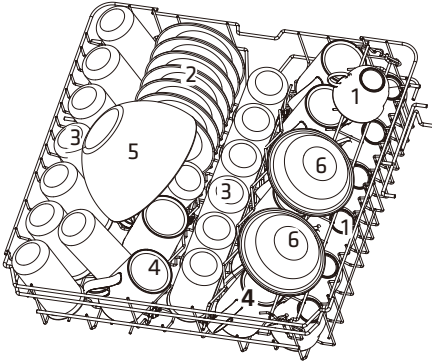
VAROITUS

Itsekorjaus tai muu kuin ammattimainen korjaus voi aiheuttaa vakavia riskejä laitteen käyttäjän turvallisuudelle ja vaikuttaa takuuseen.

KORIEN TÄYTTÄMINEN STANDARDIN EN60436 MUKAISESTI:

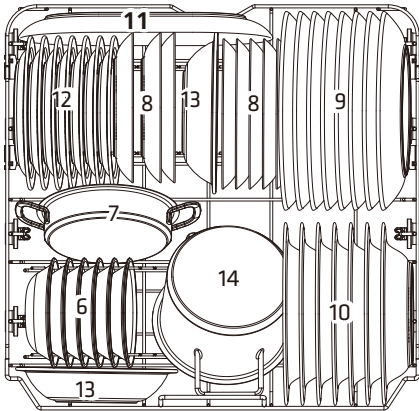
Kori:

Ylempi kori:



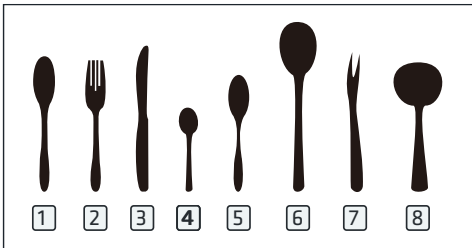
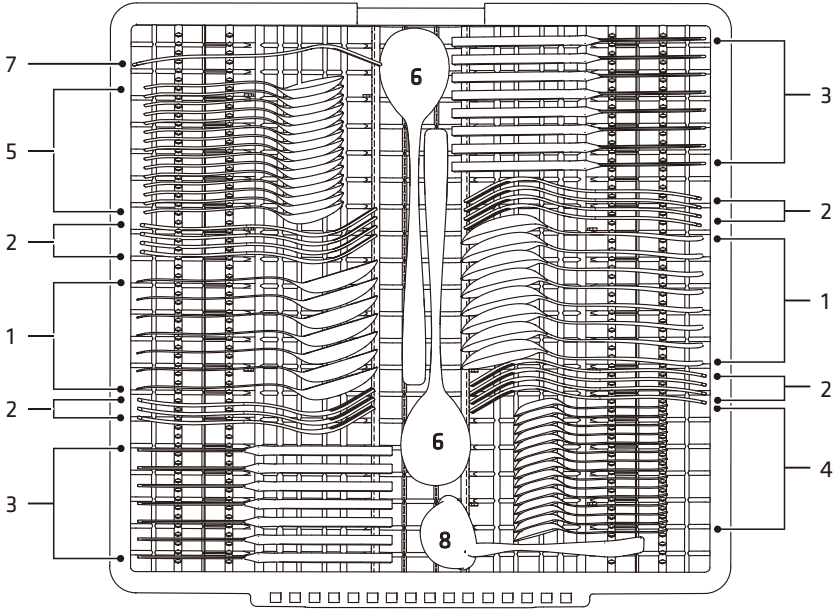
Numero	Kohde
1	Kupit
2	Lautaset
3	Lasit
4	Mukit
5	Lasikulho
6	Jälkiruokakulhot

Alempi kori:



Numero	Kohde
7	Uunipannu
8	Jälkiruokalautaset
9	Ruokalautaset
10	Keittolautaset
11	Soikea lautanen
12	Jälkiruokalautaset melamiinia
13	Melamiinikulhot
14	Pieni kattila

Ruokailuvälinekori:



EN 60436-standardin mukaisia vertailukelpoisuus testejä koskevat tiedot:

Kapasiteetti: 15 astiastoa

Ylemmän korin asento: ala-asento

Ohjelma: ECO

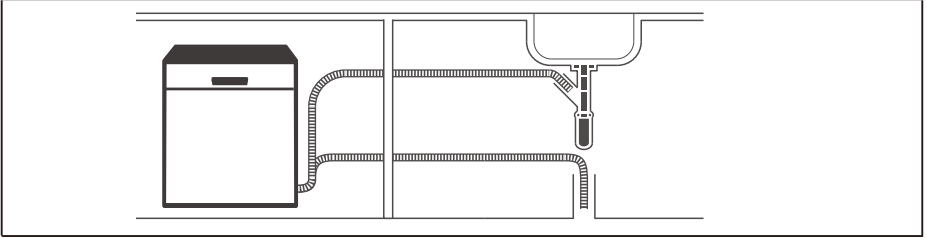
Huuhdelukirkasteen asetus: Max

Pehmentimen asetus: H3

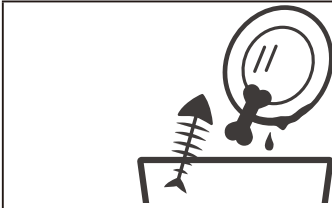
Numero	Kohde
1	Keittolusikat
2	Haarukat
3	Veitset
4	Teelusikat
5	Jälkiruokalusikat
6	Tarjoilulusikat
7	Tarjoiluhaarukka
8	Kastikekauha

NOPEA KÄYTTÖOPAS

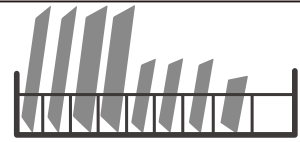
Lue käyttöohjeen vastaava sisältö yksityiskohtaista käyttötapaa varten.



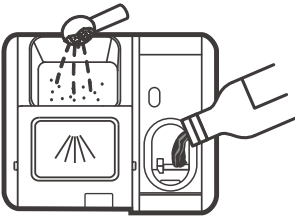
1. Asenna astianpesukone
(Tarkista kohta "ASENNUSOHJEET")



2. Poista suuret jäämät
ruokailuvälineistä



3. Korien lastaaminen



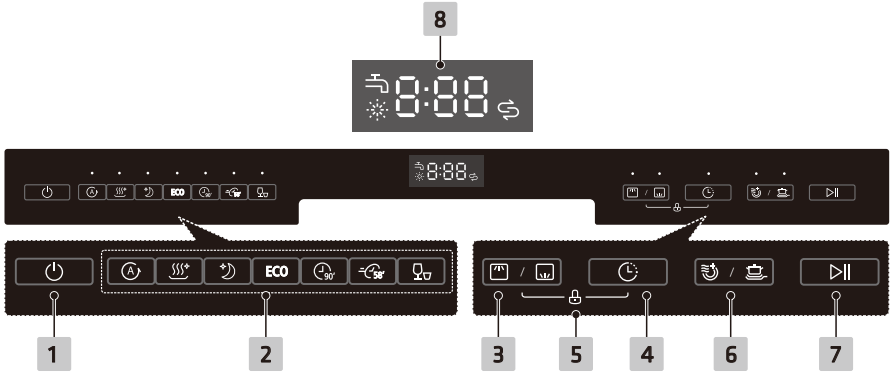
4. Annostelijan täyttäminen






5. Ohjelman valitseminen ja
astianpesukoneen käyttäminen







ASTIANPESUKONEEN KÄYTTÖ


Ohjauspaneeli






Toiminta (painike)

1 Teho	Paina tätä painiketta käynnistääksesi tai sammuttaaksesi astianpesukoneen.
2 Ohjelma	<p>Valitse sopiva pesuohjelma painikkeilla, valitun ohjelman merkkivalo syttyy.</p> <p> Automaattinen Kevyesti, normaalisti tai voimakkaasti likaantuneille astioille, joissa on tai ei ole kuivunutta ruokaa.</p> <p> Hygienia 72° Tämä ohjelma nostaa veden lämpötilan 72° C:een korkealämpöiseen desinfiointiin.</p> <p> Kuiskaus Vähemmän melua ja normaali energiankulutus, käytetään pesuun ilta-aikaan.</p> <p>ECO ECO Tämä on vakio-ohjelma, joka soveltuu normaalisti likaantuneille kuormille, kuten kattiloille, lautasille, lasseille ja kevyesti likaantuneille pannuille.</p>

	 90 min Normaalisti likaantuneille kuormille, jotka tarvitsevat 90 minuutin pesuajan.
	 58 min Normaalisti likaantuneille kuormille, jotka tarvitsevat 58 minuutin pesuajan.
	 Nopea Lyhyempi pesu kevyesti likaantuneille kuormille, joita ei tarvitse kuivata.
3 Alt	Paina painiketta valitaksesi joko ylempi kori tai alempi kori ladattuna, jolloin vastausmerkkivalot syttyvät.
	 Ylempi Kun valitset Ylempi (Upper), vain ylemmässä telineessä olevat astiat pestään. Alemman korin ruiskutusjärjestelmä ei toimi.
	 Alempi Kun valitset Alempi (Lower), vain alemmassa telineessä olevat astiat pestään. Ylemmän korin ruiskutusjärjestelmä ei toimi.
4 Viive	Paina tätä painiketta asettaaksesi viivästetyt pesutunnit. Voit viivästyttää pesun aloittamista jopa 24 tuntia.
5 Lapsilukko	Tämän vaihtoehdon avulla voit lukita ohjauspaneelin painikkeet - virtapainiketta lukuun ottamatta - jotta lapset eivät voi vahingossa käynnistää astianpesukonetta painamalla paneelin painikkeita. Voit lukita tai poistaa ohjauspaneelin painikkeiden lukituksen pitämällä Alt-painiketta+viivepainiketta painettuna samanaikaisesti 3 sekunnin ajan.
6 Toiminto	Valitse toiminto painamalla painiketta, vastaava merkkivalo syttyy. Kahta toimintoa ei voi valita samanaikaisesti.
	 Ylimääräinen Puhdistus Erittäin likaisten, vaikeasti puhdistettavien astioiden pesuun. (Sitä ei voi käyttää Auto- ja Nopea-toiminnon kanssa)

	 Extra Kuivaus Kuivaa astiat täydellisemmin. (Sitä ei voi käyttää Auto-, Kuiskaus ja Nopea-toiminnon kanssa)
7 Käynnistys/Tauko	Käynnistää valitun pesuohjelman tai keskeyttää sen, kun astianpesukone on käynnissä.

Näyttö

8 Näyttö	 Huuhteluaine Jos "☀️"-merkkivalo palaa, se tarkoittaa, että astianpesukoneen huuhteluaine on vähissä ja se on täytettävä.
	 Suola Jos "☹️"-merkkivalo palaa, astianpesukoneessa on liian vähän astianpesusuolaa ja se on täytettävä uudelleen.
	 Vesihana Jos merkkivalo "☹️" palaa, se tarkoittaa, että vesihana on suljettu.
	8:88 Näyttää jäljellä olevan ohjelma- ja viiveajan, virhekoodin jne.

Veden Pehmentäjä

Vedenpehmentimen asetus on tehtävä manuaalisesti veden kovuuden säätöpyörän avulla.

Vedenpehmentimen tarkoituksena on poistaa vedestä mineraalit ja suolat, jotka vaikuttaisivat haitallisesti tai epäsuotuisasti laitteen toimintaan. Mitä enemmän mineraaleja vedessä on, sitä kovempaa se on. Pehmennin on säädettävä alueesi veden kovuuden mukaan. Paikallinen vesilaitos voi antaa neuvoja alueesi veden kovuudesta.

Suolan kulutuksen säätäminen

Astianpesukone on suunniteltu niin, että sen suolamäärää voidaan säätää käytettävän veden kovuuden mukaan. Tämän tarkoituksena on optimoida ja mukauttaa suolan kulutustaso.

Seuraa alla olevia ohjeita suolan kulutuksen säätämiseksi.

1. Kytke laite päälle.
2. Paina 60 sekunnin kuluessa laitteen kytkemisestä päälle Nopea-painiketta yli 5 sekunnin ajan siirtyäksesi vedenpehmentimen asetustilaan.
3. Paina Nopea-painiketta uudelleen valitaksesi paikallisen ympäristön mukaisen oikean asetuksen, asetus muuttuu seuraavassa järjestyksessä: H3->H4->H5->H6->H1->H2->H3.
4. Lopeta asetustila painamalla virtapainiketta.

VEDEN KOVUUS				Vedenpehmentimen taso	Regenerointi tapahtuu joka X ohjelmasekvenssi ¹⁾	Suolan kulutus (grammaa/jakso)
German °dH	French °fH	British °Clarke	Mmol/l			
0 - 5	0 - 9	0 - 6	0 - 0,94	H1	Ei uudelleen tuotantoa	0
6 - 11	10 - 20	7 - 14	1,0 - 2,0	H2	10	9
12 - 17	21 - 30	15 - 21	2,1 - 3,0	H3	5	12
18 - 22	31 - 40	22 - 28	3,1 - 4,0	H4	3	20
23 - 34	41 - 60	29 - 42	4,1 - 6,0	H5	2	30
35 - 55	61 - 98	43 - 69	6,1 - 9,8	H6	1	60

1° dH=1,25 ° Clarke=1,78 ° fH=0,178 mmol/l

Tehdasasetus: H3

1) Jokainen regenerointitoiminto kuluttaa 2,0 litraa vettä enemmän, energian kulutus kasvaa 0,02 kWh ja ohjelman kesto pitenee 4 minuuttia.

Huomautus:

Tarkista kohta "Suolan lisääminen pehmentimeen" jos astianpesukoneesta puuttuu suolaa.

HUOM:

Jos mallissasi ei ole vedenpehmentintä, voit ohittaa tämän osan.

Veden kovuus vaihtelee paikasta toiseen. Jos astianpesukoneessa käytetään kovaa vettä, astioihin ja astioihin muodostuu kerrostumia.

Laite on varustettu erityisellä pehmentimellä, joka käyttää suolasäiliötä, joka on suunniteltu erityisesti poistamaan kalkkia ja mineraaleja vedestä.

Astioiden Valmistelu Ja Lastaus

- ⌘ Harkitse astianpesukoneen kestäviksi merkittyjen astioiden ostamista.
- ⌘ Valitse tietyille tuotteille ohjelma, jossa lämpötila on alhaisin mahdollinen.
- ⌘ Vaurioiden välttämiseksi älä ota lasia ja ruokailuvälineitä astianpesukoneesta heti ohjelman päättymisen jälkeen.

Seuraavien ruokailuvälineiden/astioiden pesuun

Ei sovellu:

- ⌘ Ruokailuvälineet, joissa on puu-, sarviposliini- tai helmiäiskahva
- ⌘ Muoviset tuotteet, jotka eivät ole lämmönkestäviä
- ⌘ Vanhemmat ruokailuvälineet, joissa on liimattuja osia, jotka eivät kestä lämpötilaa
- ⌘ Liimatut ruokailuvälineet tai astiat
- ⌘ Tina- tai kuparitavarat
- ⌘ Kristallilasi
- ⌘ Terästuotteet, jotka saattavat ruostua
- ⌘ Puiset lautaset
- ⌘ Synteettisistä kuiduista valmistetut tuotteet

Rajoitettu soveltuvuus:

- ⌘ Jotkin lasityypit voivat himmetä useiden pesukertojen jälkeen
- ⌘ Hopeisilla ja alumiinisilla osilla on taipumus värjäytyä pesun aikana
- ⌘ Lasitetut kuviot voivat haalistua, jos ne pestään usein koneessa

Suosituksset astianpesukoneen täyttämistä varten

Kaavi pois suuret määrät ruokajäämiä. Pehmennä pannuilla olevia palaneita ruokajäämiä. Astioita ei tarvitse huuhdella juoksevan veden alla.

Jotta astianpesukone toimisi parhaalla mahdollisella tavalla, noudata näitä lastausohjeita.

(Korien ja ruokailuvälinekorien ominaisuudet ja ulkonäkö voivat poiketa mallistasi.)

Aseta esineet astianpesukoneeseen seuraavasti:

- ☞ Esineet, kuten kupit, lasit, kattilat/pannut jne. ovat alassuun.
- ☞ Kaarevat esineet tai syvennykselliset esineet tulee ladata viistosti, jotta vesi pääsee valumaan pois.
- ☞ Kaikki astiat on pinottu tukevasti, jottaneivätkaadu.
- ☞ Kaikki astiat asetetaan siten, että suihkuvarret voivat pyöriä vapaasti pesun aikana.
- ☞ Lataa ontot esineet, kuten kupit ja lasit, aukko alaspäin, jotta vesi ei keräänny niiden sisään.
- ☞ Astiat ja ruokailuvälineet eivät saa olla päällekkäin tai peittää toisiaan.
- ☞ Vahinkojen välttämiseksi lasit eivät saa koskettaa toisiaan. Pystyasentoon asetetut pitkät veitset ovat mahdollinen vaaratekijä!
- ☞ Pitkät tai terävät ruokailuvälineet, kuten leikkuuveitset, on asetettava koriin vaakasuojaan.
- ☞ Älä ylikuormita astianpesukonetta. Tämä on tärkeää hyvien tulosten ja kohtuullisen energiankulutuksen kannalta.

Huomautus:

Hyvin pieniä esineitä ei pidä pestä astianpesukoneessa, koska ne voivat helposti pudota korista.

Astioiden poistaminen

Jotta vesi ei tippuisi ylemmästä korista alempaan koriin, suosittelemme, että tyhjennät ensin alemman korin ja sitten ylemmän korin.

VAROITUS



Tuotteet ovat kuumia! Vaurioiden välttämiseksi älä ota lasia ja ruokailuvälineitä astianpesukoneesta 15 minuutin kuluessa ohjelman päättymisestä.

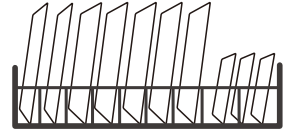
Ylemmän korin lastaus

Ylempi kori on suunniteltu herkemmille ja kevyemmille astioille, kuten laselle, kahvi- ja teekupeille ja lautasille sekä lautasille, pienille kulhoille ja matalille pannuille (kunhan ne eivät ole liian likaisia). Aseta astiat ja keittoastiat niin, että vesisuihku ei siirrä niitä.



Alemman korin lastaaminen

Suosittelomme, että laitot suuret ja vaikeasti puhdistettavat esineet alempaan koriin, kuten kattilat, pannut, kannet, tarjoiluastiat ja kulhot, kuten oikealla olevassa kuvassa on esitetty. Tarjoiluastiat ja kannet kannattaa sijoittaa telineiden sivulle, jotta ne eivät estäisi yläsuihkuvarren pyörimistä.



Pesuaineannostelijan edessä olevien lautasten halkaisija saa olla enintään 19 cm, jotta ne eivät haittaa sen avautumista.

Ruokailuvälinekorin täyttäminen

Ruokailuvälineet on asetettava ruokailuvälinekoriin erillään toisistaan asianmukaisiin asentoihin. Vältä aterimien päällekkäin asettelua, jotta puhdistusteho ei olisi riittämätön.

VAROITUS



Älä anna minkään esineen ulottua pohjan läpi.
Lataa terävät välineet aina terävä kärki alaspäin!

Huuhtelukirkasteen ja pesuaineen toiminta

Huuhtelukirkastevapautuu viimeisen huuhtelun aikana, jotta vesi ei muodostaisi astioihin pisaroita, jotka voivat jättää tahroja ja raitoja. Se myös parantaa kuivumista, koska vesi valuu pois astioista. Astianpesukoneesi on suunniteltu nestemäisten huuhtelukirkasteiden käyttöä varten.

VAROITUS

Käytä astianpesukoneessa vain merkkihuuhteluaineita. Älä koskaan täytä huuhteluaineannostelijaan muita aineita (esim. astianpesuaine, nestemäinen pesuaine).

Tämä vahingoittaisi laitetta.

Milloin huuhteluaineannostelija täytetään uudelleen

Annostelijan täyttämisen säännöllisyys riippuu astioiden pesutiheydestä ja käytetystä huuhteluaineasetuksesta.

☞ Huuhteluaineen vähyyden merkkivalo (☼) syttyy, kun huuhteluainetta tarvitaan lisää.

☞ Älä täytä huuhteluaineannostelijaa liikaa.

Pesuaineen tehtävä

Pesuaineen kemialliset ainesosat ovat välttämättömiä kaiken lian poistamiseksi, hajottamiseksi ja poistamiseksi astianpesukoneesta. Useimmat kaupalliset pesuaineet soveltuvat tähän tarkoitukseen.

VAROITUS

Pesuaineen Oikea Käyttö

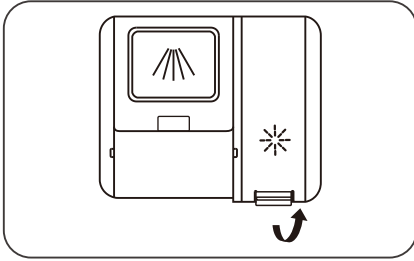
Käytä vain erityisesti astianpesukoneisiin tarkoitettuja pesuaineita. Pidä pesuaine tuoreena ja kuivana.

Älä täytä pesuainetta annostelijaan ennen kuin olet valmis käynnistämään astianpesukoneen.

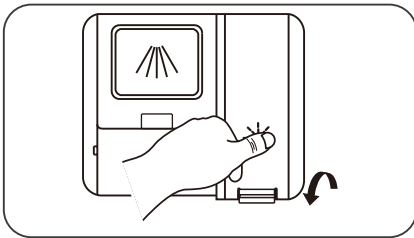


Astianpesuaine on syövyttävää! Pidä astianpesuaine poissa lasten ulottuvilta.

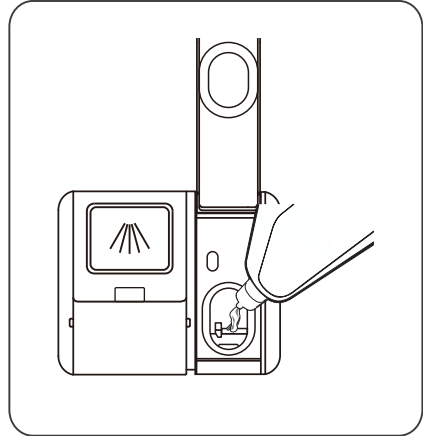
Huuhtelukirkastesäiliön täyttäminen



1. Irrota huuhtelusäiliön korkki nostamalla kahva ylös.



3. Sulje korkki lopuksi.



2. Kaada huuhteluaine annostelijaan varoen täyttämästä sitä liikaa.

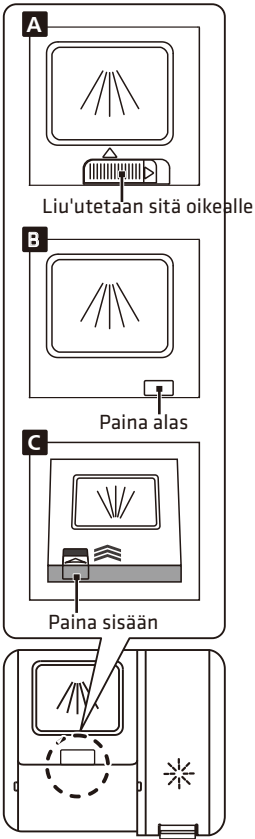
Huuhteluainevaraston säätäminen

Astianpesukone on suunniteltu niin, että sen kulutus voidaan säätää käyttäjäkohtaisesti, jotta saavutetaan parempi kuivausteho vähäisellä huuhteluaineella. Seuraa alla olevia ohjeita:

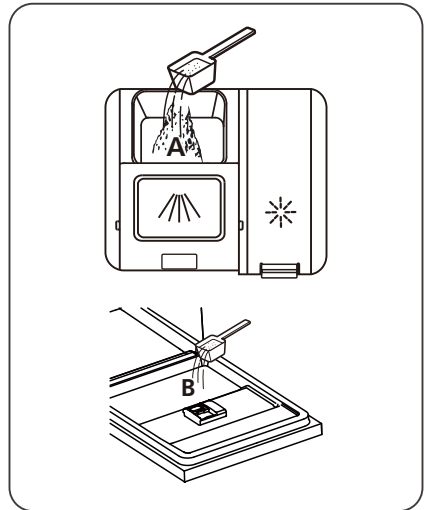
1. Sulje ovi ja kytke laite päälle.
2. Kun laite on kytketty päälle, paina Nopea-painiketta yli 5 sekuntia 60 sekunnin kuluessa ja paina sitten Viive-painiketta siirtyäksesi asetustilaan, huuhteluaineen merkkivalo vilkkuu 1 Hz:n taajuudella.
3. Paina Nopea-painiketta uudelleen valitaksesi oikean setin käyttötottumuksiesi mukaan, asetus muuttuu seuraavassa järjestyksessä: d3->d4->d5->d1->d2->d3. Mitä suurempi luku on, sitä enemmän huuhtelukirkastetta astianpesukone käyttää.
4. Ilman toimintoa 5 sekunnin kuluessa tai paina virtapainiketta asetuksen loppuun saattamiseksi ja asetustilasta poistumiseksi.

Pesuaineannostelijan Täyttäminen

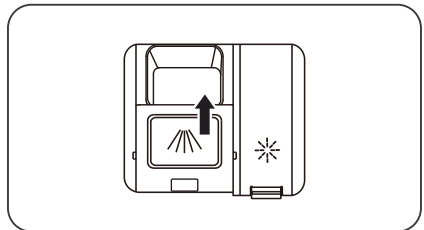
Kolme tapaa avata kansi:



1. Valitse avoin tapa todellisen tilanteen mukaan.
- A. Avaa korkki liu'uttamalla vapautussalppaa.
- B. Avaa korkki painamalla vapautussalppaa alas.
- C. Avaa korkki painamalla vapautussalppaa.



2. Lisää pesuainetta suurempaan pesuastiaan (A) pääpesua varten. Saat paremman puhdistustuloksen, varsinkin jos sinulla on erittäin likaisia esineitä, kun kaadat ovelle pienen määrän pesuainetta. Lisäpesuaine aktivoituu esipesuvaiheen aikana.



3. Sulje läppä liu'uttamalla se eteen ja painamalla se sitten alas.

HUOM:


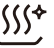




Noudata pesuaineen pakkauksessa olevia valmistajan suosituksia.

ASTIANPESUKONEEN OHJELMOINTI

Pesuohjelmataulukko

Alla olevasta taulukosta käy ilmi, mitkä ohjelmat ovat parhaita niiden sisältämien ruokajäämien määrän ja tarvittavan pesuaineen määrän mukaan. Se näyttää myös erilaisia tietoja ohjelmista.

(●) Tarkoittaa: huuhteluaineannostelijaan on täytettävä huuhteluaine.

Ohjelma	Syklin Kuvaus	Pesuaine Esi- /Pääpesu	Juoksu-aika (min)	Energia (kWh)	Vesi (L)	Huuhteluaine
 Automaattinen	Esipesu (45 °C) Autopesu (55-65°C) Huuhtelee Huuhtelu (50-55 °C) Kuivaus	$\frac{4/19g}{(1 \text{ tai } 2 \text{ tablettia})}$	85-150	0,850- 1,550	8,5- 18,0	●
 Hygienia 72°	Pesu (72°C) Huuhtelee Huuhtelee Huuhtelu (72°C) Kuivaus	$\frac{23 g}{(1 \text{ tai } 2 \text{ tablettia})}$	215	1,750	14,0	●
 Kuiskaus	Esipesu (30 °C) Pesu (60°C) Huuhtelee Huuhtelu (55°C) Kuivaus	$\frac{4/19g}{(1 \text{ tai } 2 \text{ tablettia})}$	270	1,250	13,0	●
ECO (*EN60436)	Esipesu Pesu (50°C) Huuhtelee Huuhtelu (50°C) Kuivaus	$\frac{4/19g}{(1 \text{ tai } 2 \text{ tablettia})}$	198	0,758	9,8	●
 90 min	Pesu (60°C) Huuhtelee Huuhtelu (60°C) Kuivaus	$\frac{23 g}{(1 \text{ tai } 2 \text{ tablettia})}$	90	1,350	12,5	●
 58 min	Esipesu (30°C) Pesu (60°C) Huuhtelu (55°C) Huuhtelu (50°C) Kuivaus	$\frac{4/19g}{(1 \text{ tai } 2 \text{ tablettia})}$	58	1,050	15,0	●
 Nopea	Pesu (45°C) Huuhtelu (45°C)	$\frac{12 g}{(1 \text{ tabletti})}$	30	0,820	11,2	○

HUOM:

ECO
(*EN60436)

ECO-ohjelma soveltuu normaalisti likaantuneiden astioiden puhdistamiseen, että se on tähän käyttötarkoitukseen tehokkain ohjelma yhdistetyn energian- ja vedenkulutuksen osalta, ja sitä käytetään EU:n ekosuunnittelulainsäädännön noudattamisen arvioinnissa.

Energian Säästäminen

1. Astioiden esihuuhtelu lisää veden ja energian kulutusta, eikä sitä suositella.
2. Astioiden pesu kotitalouksien astianpesukoneessa kuluttaa yleensä vähemmän energiaa ja vettä käyttövaiheessa kuin käsin tapahtuva astianpesu, kun kotitalouksien astianpesukonetta käytetään ohjeiden mukaisesti.

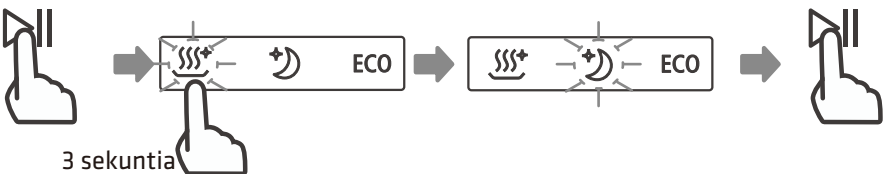
Ohjelman Käynnistäminen

1. Vedä ala- ja yläkori ulos, lataa astiat ja työnnä ne takaisin. On suositeltavaa kuormata ensin alempi kori ja sitten ylempi.
2. Lisää pesuaine.
3. Aseta pistoke pistorasiaan. Virtalähde katso tuoteseloste. Varmista, että veden syöttö on kytketty täyteen paineeseen.
4. Sulje luukku ja kytke kone päälle painamalla virtapainiketta.
5. Valitse ohjelma, vastausvalo syttyy. Paina sitten Käynnistä/Tauko -painiketta, jolloin astianpesukone aloittaa kierron.

Ohjelman Muuttaminen Kesken Syklin

Ohjelmaa voidaan muuttaa vain, jos se on ollut käynnissä vain lyhyen aikaa, sillä muutoin pesuaine on saattanut jo vapautua tai pesuvesi pesuaineen kanssa on jo valunut. Jos näin käy, astianpesukone on nollattava ja pesuainesäiliö on täytettävä uudelleen. Voit nollata astianpesukoneen noudattamalla alla olevia ohjeita:

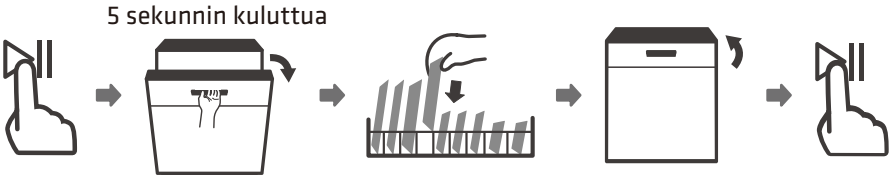
1. Keskeytä pesu painamalla Käynnistä/Tauko -painiketta.
2. Paina ohjelmapainiketta yli kolme sekuntia, jolloin kone siirtyy ohjelmanvalintatilaan.
3. Voit vaihtaa ohjelman haluttuun sykliasetukseen.
4. Paina Käynnistä/tauco -painiketta, jolloin astianpesukone jatkaa käyntiä 10 sekunnin kuluttua.



Unohditko Lisätä Astian?

Unohtuneen astian voi lisätä milloin tahansa ennen pesuaineannostelijan avautumista. Jos näin on, noudata alla olevia ohjeita:

1. Avaa ovea hieman pesun pysäyttämiseksi.
2. Kun suihkuvarret ovat lakanneet toimimasta, voit avata oven kokonaan.
3. Lisää unohdetut astiat.
4. Sulje ovi.
5. Astianpesukone käynnistyy uudelleen.



HUOM:



Luukun avaaminen kesken kierron on vaarallista, sillä kuuma höyry voi polttaa sinua.

Automaattinen Avaus

Pesun jälkeen ovi aukeaa automaattisesti paremman kuivaustehon saavuttamiseksi.

HUOM:

Astianpesukoneen luukun edessä ei saa olla esteitä, kun se on asetettu avautumaan automaattisesti. Tämä voi häiritä luukun lukituksen toimintaa.



VIRHEKOODIT

Jos laitteessa on toimintahäiriö, astianpesukone näyttää virhekoodit, joiden avulla ne voidaan tunnistaa:

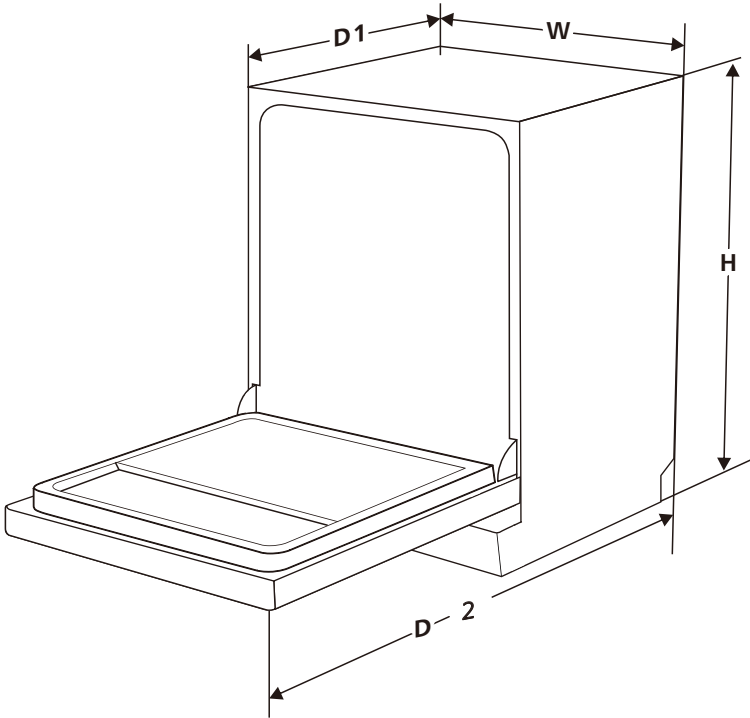
Koodit	Merkitykset	Mahdolliset syyt
E1	Pitkittynyt vedentuloaika	Hanaa ei ole avattu tai vedenotto on rajoitettu tai vedenpaine on liian alhainen.
E3	Ei saavuteta vaadittua lämpötilaa.	Lämmityselementin toimintahäiriö.

E4	Ylivuoto.	Jotkin astianpesukoneen osat vuotavat.
E8	Jakovalvonttiin suuntauksen epäonnistuminen	Jakovalvonttiin avoin piiri tai katkos
Ec	Pesun ohjauksjärjestelmän vika	PCB tai moottori ei toimi
Ed	Pääpiirilevyn ja näyttöpiirilevyn välisen tiedonsiirron häiriö.	Avoin virtapiiri tai katkeaa tiedonsiirron johdotus.

VAROITUS

- ⌘ Jos tapahtuu ylivuoto, katkaise päävesijohto ennen kuin soitat huoltoon.
- ⌘ Jos alusastiaan on jäänyt vettä ylitäytön tai pienen vuodon vuoksi, vesi on poistettava ennen astianpesukoneen käynnistämistä uudelleen.
- ⌘ Jos virhekoodia ei saada ratkaistua, pyydä ammattiapua.

TEKNISET TIEDOT



Korkeus (K)	815 mm
Leveys (L)	598 mm
Syvyys (D1)	570mm (oven ollessa kiinni)
Syvyys (D2)	1150mm (kun ovi on avattu 90°)

FI

Tuotetietolomake (EN 60436)

Toimittajan nimi tai tavaramerkki: POINT				
Toimittajan osoite ^(b):				
Mallin tunniste: PODW56042W PODW56042X				
Tuotteen yleiset parametrit:				
Parametri	Arvo	Parametri	Arvo	
Nimelliskapasiteetti ^(a) (ps)	15	Mitat cm	Korkeus	82
			Leveys	60
			Syvyys	57
EEI ^(a)	43,9	Energiätehokkuusluokka ^(a)	C ^(c)	
Puhdistustehokkuusindeksi ^(a)	1,125	Kuivauskykyindeksi ^(a)	1,065	
Energiankulutus kWh:na [per jakso], perustuu eko-ohjelmaan, jossa käytetään kylmää vettä. Todellinen virrankulutus on laitteen käytön mukainen.	0,758	Vedenkulutus litroina [sykliä kohti], perustuu ympäristöohjelmaan. Todellinen vedenkulutus on laitteen käytön ja veden kovuuden mukainen.	9,8	
Ohjelman kesto ^(a) (h:min)	3:18	Tyyppi	Vapaasti seisova	
Ilmaan kantautuva akustinen melupäästö ^(a) (dB(A) re 1 pW)	42	Ilmassa kantautuvan akustisen melun päästöluokka ^(a)	B ^(c)	
Pois päältä (W)	0,49	Valmiustila (W)	N/A	
Viivekäynnistys (W) (jos käytettävissä)	1,00	Verkotettu valmiustila (W) (jos käytettävissä)	N/A	
Toimittajan tarjoaman takuun vähimmäiskesto ^(b):				
Lisätietoja:				
Verkkolinkki toimittajan verkkosivustolle, josta löytyvät komission asetuksen (EU) 2019/2022 ⁽¹⁾ liitteessä II olevan 6 kohdan mukaiset tiedot:				
(a) ympäristöohjelmaan.				
(b) näihin eriin tehtyjä muutoksia ei pidetä merkityksellisinä asetuksen (EU) 2017/1369 4 artiklan 4 kohdan soveltamiseksi.				
(c) jos tuotetietokanta tuottaa automaattisesti tämän solun lopullisen sisällön, toimittaja ei saa syöttää näitä tietoja.				
(1) Komission asetus (EU) 2019/2022, annettu 1 päivänä lokakuuta 2019, kotitalouksien astianpesukoneiden ekologiselle suunnittelulle asetettavista vaatimuksista komission asetuksen (EY) N:o 1275/2008 muuttamisesta ja komission asetuksen (EU) N:o 1016/2010 kumoamisesta annetun Euroopan parlamentin ja neuvoston direktiivin 2009/125/EY nojalla (ks. tämän virallisen lehden sivu 267).				

TEKNISET TIEDOT

Malli: PODW56042W PODW56042X

Nimellisjännite: AC220–240 V, 50 Hz

Virrankulutus: 1760-2100W



Tämä tuotteeseen tai ohjeisiin merkitty symboli tarkoittaa, että sähkölaitteet ja elektroniikka on hävitettävä käyttökänsä päättyessä erillään kotitalousjätteestä. EU:ssa on erillisiä kierrätysjärjestelmiä. Jos haluat lisätietoja, ota yhteys paikallisiin viranomaisiin tai tuotteen myyneeseen liikkeeseen.

Power International AS,
PO Box 523, N-1471 Lørenskog, Norway

Power Norjassa:
<https://www.power.no/kundeservice/>
P: 21 00 40 00

Power Tanskassa:
<https://www.power.dk/kundeservice/>
P: 70 33 80 80

Punkt 1 Tanskassa:
<https://www.punkt1.dk/kundeservice/>
P: 70 70 17 07

Power Suomessa:
<https://www.power.fi/tuki/asiakaspalvelu/>
P: 0305 0305

Power Ruotsissa:
<https://www.power.se/kundservice/>
P: 08 517 66 000

SIKKERHEDSOPLYSNINGER

ADVARSEL

Når du bruger din opvaskemaskine, skal du følge nedenstående forholdsregler:

- Installation og reparation må kun udføres af en kvalificeret tekniker.
- Apparatet er beregnet til brug i hjemmet og lignende steder, som f.eks.:
 - personalekøkkener i butikker, kontorer og andre arbejdspladser;
 - på gårde;
 - af gæster på hoteller, moteller og andre boligmiljøer;
 - bed & breakfast-miljøer.
- Dette apparat må ikke bruges af børn under 8 år eller af personer med nedsatte fysiske, følelsesmæssige eller mentale evner eller med mangel på erfaring eller viden, hvis de ikke er under opsyn eller er blevet instrueret i, hvordan dette apparat bruges sikkert, og forstår risikoen ved at bruge det.
- Børn må ikke lege med dette apparat. Rengøring og vedligeholdelse må ikke udføres af børn uden opsyn (til EN60335-1). Apparatet er ikke beregnet til anvendelse af personer (herunder børn) med nedsatte fysiske, sansemæssige eller mentale evner. Det må heller ikke bruges af personer med manglende erfaring eller viden, medmindre de er under opsyn af eller er blevet vejledt i brugen af

apparatet af en person med ansvar for deres sikkerhed (til IEC60335-1).

- Emballagematerialerne kan være farligt for børn!
- Dette apparat er kun beregnet til husholdningsbrug. For at beskytte mod risikoen for elektrisk stød må du ikke komme apparatet, netledningen eller stikket i vand eller andre væsker.
- Afbryd apparatet før rengøring og vedligeholdelse.
- Brug en blød klud fugtet med mild sæbe, og brug derefter en tør klud til at tørre apparatet af.

Vejledninger til jordforbindelse

- Dette apparat skal jordforbindes. I tilfælde af en funktionsfejl eller nedbrud, reducerer en jordforbindelse risikoen for et elektrisk stød, ved at give et udløb med mindst mulig modstand af elektrisk strøm. Stikket på dette apparat er udstyret har et stikben til jordforbindelse.
- Stikket skal tilsluttes en passende stikkontakt, der er installeret og jordforbundet i overensstemmelse med alle lokale regler og forordninger.
- Forkert tilslutning af det jordforbundne stik kan føre til risiko for elektrisk stød.
- Kontakt en kvalificeret elektriker eller servicerepræsentant, hvis du er i tvivl om apparatet er korrekt jordforbundet.
- Stikket, der følger med apparatet, må ikke ændre, hvis det ikke passer til stikkontakten.
- Få et korrekt stikkontakt installeret af en

kvalificeret elektriker.

- Du må ikke misbruge, sidde på eller stå på lågen eller skuffen i opvaskemaskinen.
- Opvaskemaskinen må ikke bruges, før alle delene i maskinen er korrekt på plads.
- Åbn forsigtigt lågen, hvis opvaskemaskinen er i gang, da vandet kan sprøjte ud.
- Anbring ikke tunge genstande på lågen, og stå ikke på lågen, når den er åben. Apparatet kan vippe fremad.
- Når du lægger tingene i, der skal vaskes:
 1. Placer skarpe genstande, så de ikke risikere at skade pakningen på lågen;
 2. Advarsel: Knive og andre redskaber med skarpe spidser, skal lægges i kurven med deres spidser nedad eller læg dem vandret.
- Nogle opvaskemidler er stærkt alkaliske. De kan være ekstremt farlige, hvis de sluges. Undgå kontakt med huden og øjnene, og hold børn væk fra opvaskemaskinen, når lågen er åben.
- Kontroller, at beholderen til opvaskemidlet er tomt, når vasken er færdig.
- Vask ikke plastikgenstande, medmindre de er mærket "sikker til opvaskemaskine" eller tilsvarende.
- Ved brug af plastikgenstande, der ikke er mærket, skal du læse producentens anbefalinger.
- Brug kun opvaskemiddel og skyllemidler, der er anbefalet til brug i en automatisk opvaskemaskine.

- Brug aldrig sæbe, vaskemiddel eller håndvaskemiddel i opvaskemaskinen.
- Lågen må ikke efterlades åben, da dette kan øge risikoen for fald.
- Hvis ledningen beskadiges, skal den udskiftes af enten fabrikanten, dens servicerepræsentant eller af en tilsvarende kvalificeret person, for at undgå risici.
- Under installationen må strømforsyningen ikke bøjes eller trykkes for meget.
- Betjeningselementerne må ikke ændres.
- Apparatet skal tilsluttes hovedvandventilen med et nyt slangesæt. Gamle sæt må ikke bruges igen.
- Når apparatet står på standby, slukker det automatisk efter 15 minutter uden brug for at spare på strømmen.

Opvaskemaskinen kan højst vaske 15 kuverter.

Det maksimalt tilladte tryk på indløbsvandet er 1 MPa.

Det minimale tilladte tryk på indløbsvandet er 0,04 MPa.

Bortskaffelse

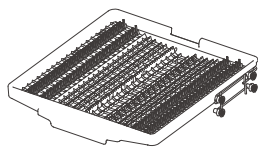
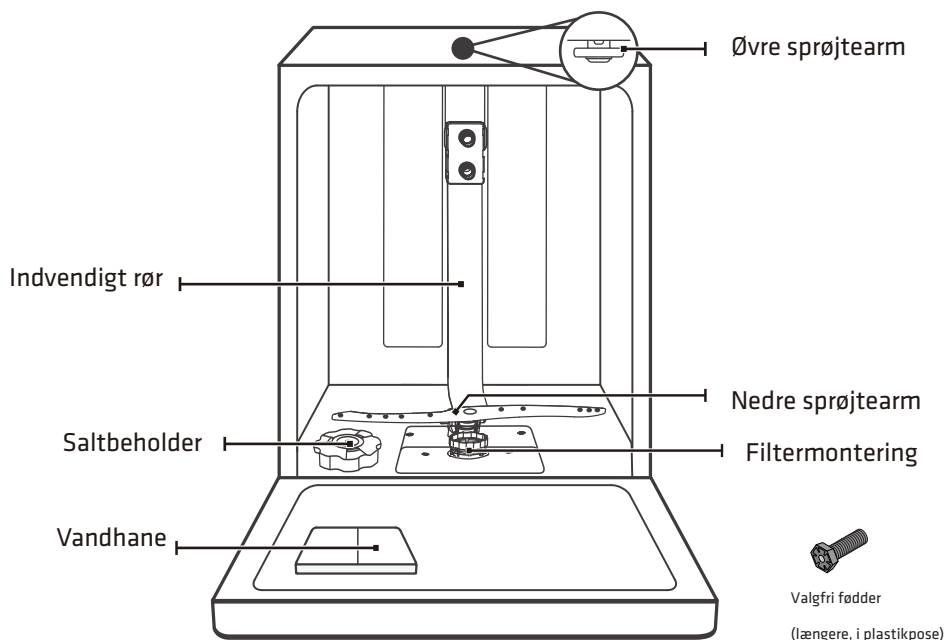
- Emballagen og apparatet skal bortskaffes på en genbrugsplads, og strømkablet skal klippes af og lågen skal enten tages af eller modificeres, så den ikke kan lukkes.
- Papemballage er fremstillet af genbrugspapir og skal bortskaffes i skraldespande til affaldspapir.

- Ved at sikre, at dette produkt bortskaffes korrekt, hjælper du med at forhindre potentielle negative konsekvenser for miljøet og menneskers sundhed, som ellers kan forårsages af upassende affaldshåndtering af dette produkt.
- For yderligere oplysninger om genbrug af dette produkt, bedes du kontakte din lokale kommune eller din lokale genbrugsplads.
- **BORTSKAFFELSE: Produktet må ikke bortskaffes som usorteret husholdningsaffald. Bortskaffelse skal ske til genbrug.**

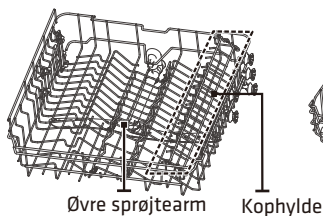
PRODUKTOVERSIGT

VIGTIGT:

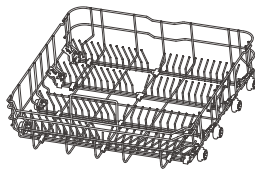
For at få det meste ud af din opvaskemaskine, skal du læse alle brugsvejledninger, før apparatet tages i brug for første gang.



Bestikkurv



Øvre kurv



Nedre kurv



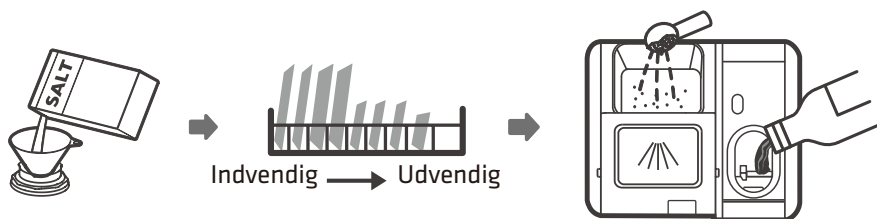
Tragt

BEMÆRK:

Billederne er kun til reference. Forskellige modeller kan være forskellige. Undgå venligt.

SÅDAN BRUGES DIN OPVASKEMASKINE

Inden opvaskemaskinen tages i brug:



1. Indstil blødgøringsenheden
2. Sådan hældes saltet i blødgøringsenheden
3. Opfyldning af kurven
4. Fyld opvaskemiddel i beholderen

BEMÆRK:

Se afsnittet "Blødgøringsenhed". Hvis blødgøringsenheden skal indstilles.

Sådan Hældes Saltet I Blødgøringsenheden

BEMÆRK:

Hvis din model ikke har en blødgøringsenhed, kan du springe dette afsnit over. Brug altid salt, der er beregnet til opvaskemaskiner.

Saltbeholderen sidder under kurven, og den skal fyldes op på følgende måde:

ADVARSEL

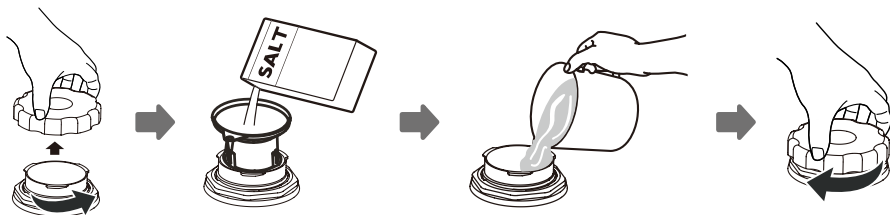
⌘ Brug kun salt, der er beregnet til opvaskemaskiner!

Al anden salt, der ikke er beregnet til opvaskemaskiner, især bordsalt, vil beskadige blødgøringsenheden. I tilfælde af skader forårsaget af brug af uegnet salt, yder producenten ingen garanti, og producenten er heller ikke ansvarlig for andre eventuelle skader.

⌘ Fyld kun enheden med salt, inden du starter apparatet.

Dette gør at eventuelt spildte saltkorn eller saltvand, ikke forbliver i bunden af maskinen i længere tid, hvilket kan forårsage korrosion.

Følg nedenstående trin for, at fylde salt i maskinen:



1. Fjern kurven, og skru hætten på beholderen af.
2. Sæt enden af tragten (medfølgende) i hullet, og hæld cirka 1kg opvaskemaskinesalt i.
3. Saltbeholderen skal fyldes helt op med vand, før den første vask. Det er normalt, at en lille mængde vand kommer ud af saltbeholderen.
4. Når beholderen er fyldt, skrues hætten på igen.
5. Advarselslyset til saltet holder op med at blinke, når saltbeholderen er fyldt med salt.
6. Umiddelbart efter påfyldning af saltet i saltbeholderen, skal et vaskeprogram startes (vi anbefaler at bruge et kort program). Ellers kan filtersystemet, pumpen eller andre vigtige dele i maskinen blive beskadiget af saltvandet. Dette dækkes ikke af garantien.

BEMÆRK:

- ⌘ Saltbeholderen må kun fyldes op igen, når advarselslampen for salt (⌘) begynder at lyse på betjeningspanelet. Afhængigt af hvor godt saltet opløses, kan advarselslampen til saltet begynde at lyse, selvom saltbeholderen er fuld. Hvis der ikke er nogen advarselslampe til salt på din maskine (på nogle modeller), kan du regne ud, hvornår der skal salt i blødgøringsenheden, ved at tælle, hvor mange gange opvaskemaskinen har kørt.
- ⌘ Hvis saltet er spildt ud, skal du køre et oplødningsprogram eller et hurtigt program, for at fjerne det.

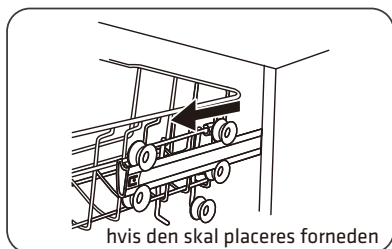
Tips Til Brug Af Kurven

Justering af den øvre kurv

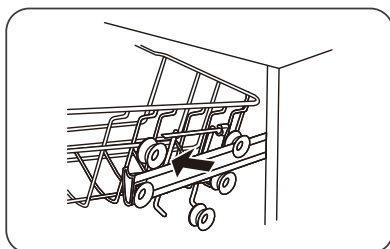
Type 1:

Højden på den øvre kurv kan nemt justeres, så der gøres plads til større tallerkener i den øvre eller nedre kurv.

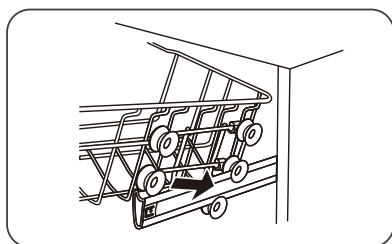
Højden på den øvre hylde justeres på følgende måde:



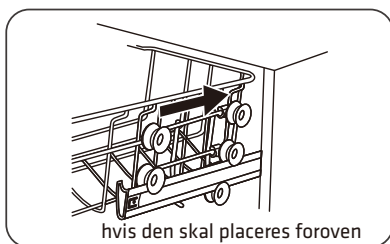
1. Træk den øvre kurv op.



2. Tag den øvre kurv ud.

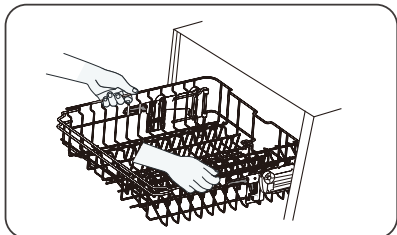


3. Sæt den øvre kurv på de øvre eller nedre ruller igen.

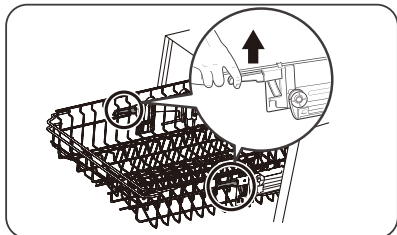


4. Tryk den øvre kurv ind

Type 2:



1. For at hæve den øvre kurv, skal du blot løfte den midt på hver side, indtil den låses på plads foroven. Du behøver ikke at løfte justeringshåndtaget.



2. For at sænke den øverste kurv, skal du løfte kurven af i justeringshåndtagene på hver side, hvorefter den skal sænkes på plads forned.

Sådan foldes kophylderne tilbage

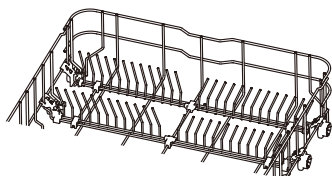
For at gøre plads til større genstande i den øverste kurv, skal du vippe kopholderen opad. Du kan derefter læne de høje glas mod den. Du kan også fjerne den, hvis den ikke skal bruges.



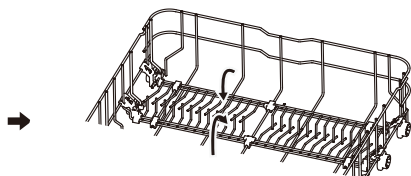
Når man folder hylderne tilbage

Piggene på den nedre kurv bruges til at holde tallerkener og et fad. De kan sænkes, så du får mere plads til store genstande.

hæves opad



foldes bagud



VEDLIGEHOLDELSE OG RENGØRING

Pleje Udvendigt

Lågen og pakningen

Rengør pakningen på lågen regelmæssigt med en blød fugtig klud, for at fjerne madrester. Når opvaskemaskinen fyldes op, kan mad- og drikkerester dryppe ned på siderne af lågen. Disse overflader er uden for vaskerummet, og sprøjtes ikke med vand fra sprøjtearmen. Eventuelle rester skal tørres af, før lågen lukkes.

Betjeningspanelet

Hvis betjeningspanelet skal rengøres, må det kun tørres af med en blød, fugtig klud.

ADVARSEL

- ⌘ Brug ikke en sprayreenser af nogen art for at undgå, at vand trænger ind i låsen på lågen og elektriske komponenter.
- ⌘ Brug aldrig slibemidler eller skurepuder på ydersiden, da de kan ridse overfladen. Nogle slags køkkenrul kan også ridse eller efterlade mærker på overfladen.

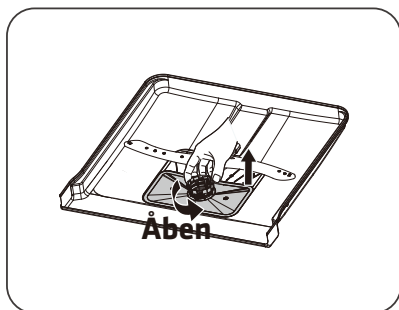
Pleje Indvendigt

Filtreringssystemet

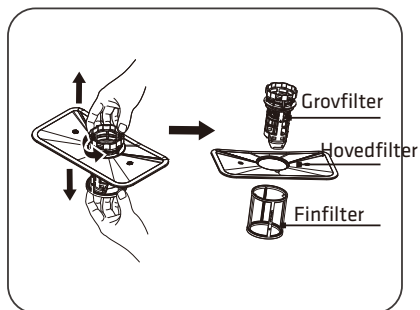
Filtreringssystemet i bunden af vaskerummet filtrerer affaldet fra vasken. Det samlede affaldet kan tilstoppe filtret. Kontroller regelmæssigt filteret, og rengør det om nødvendigt under rindende vand. Følg nedenstående trin for at rengøre filtre i vaskerummet.

BEMÆRK:

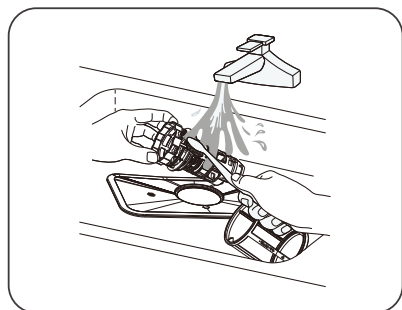
Billederne er kun til reference. Forskellige modeller har forskellige filtreringssystemer og sprøjtearme. Undgå venligt.



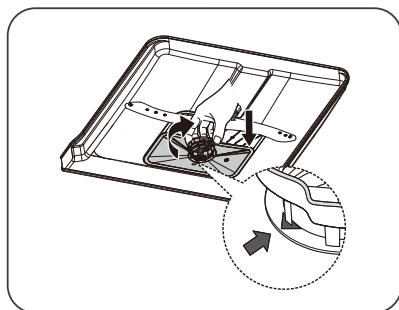
1. Tag fat i det grove filter, og drej det mod uret for at låse filteret op. Løft filteret op og tag det ud af opvaskemaskinen.



2. Det fine filter kan trækkes ud af filtersamlingen forinden. Det grove filter kan trækkes ud af hovedfiltret, ved forsigtigt at trykke på tapperne for oven og trække det ud.



3. Større mængder madrester kan rengøres ved at skylle filteret under rindende vand. Brug en blød rengøringsbørste til en mere grundig rengøring.



4. Sæt filtrene i igen i modsat rækkefølge. Sæt filterindsatsen i igen, og drej den med uret i pilens retning.

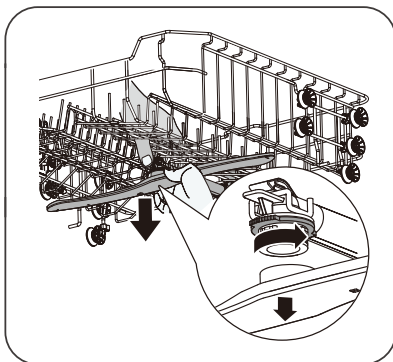
ADVARSEL

- ⌘ Spænd ikke filtrene for meget. Sæt filtrene i igen i den rigtige rækkefølge, ellers kan grovt affald komme ind i systemet og tilstoppe det.
- ⌘ Opvaskemaskinen må aldrig bruges uden filtrene i. Forkert udskiftning af filteret kan reducere apparatets ydeevne og beskadige tallerkener og redskaber.

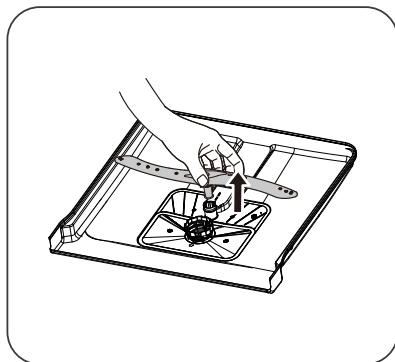
Sprøjtearmene

Sprøjtearmene skal regelmæssigt rengøres for kemikalier mod hårdt vand, eller kan det tilstoppe dyserne og lejerne i sprøjtearmene.

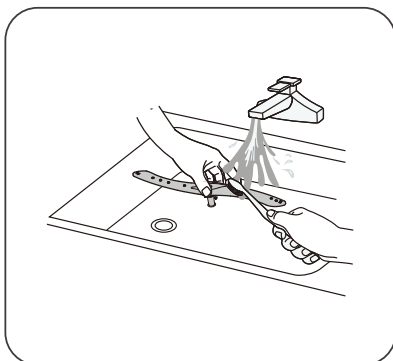
Sprøjtearmene rengøres på følgende måde:



1. For at fjerne den øverste sprøjtearm, skal du holde møtrikken i midten fast og dreje armen med uret for at tage den af.



2. For at fjerne den nedre sprøjtearm, skal du trække sprøjtearmen opad.



3. Vask armene i sæbe og varmt vand, og brug en blød børste til at rengøre dyserne. Sæt dem i igen, når de er blevet ordentligt skyllet.

Pleje Af Opvaskemaskinen

Forebyggelse mod frostdannelse

Tag foranstaltninger mod frostdannelse på opvaskemaskinen om vinteren. Gør følgende efter hver vask:

1. Afbryd strømmen til opvaskemaskinen ved forsyningskilden.
2. Sluk for vandforsyningen, og afbryd vandindløbsrøret fra vandventilen.
3. Hæld vandet i indløbsrøret og vandventilen ud. (Hæld vandet i en gryde)
4. Sæt vandindløbsrøret på vandventilen igen.
5. Fjern filteret i bunden, og brug en svamp til at opsuge vand i pølen.

Efter hver vask

Efter hver vask skal du slukke for vandforsyningen til apparatet og lade lågen stå på klem, så fugt og lugt ikke fanges indeni.

Tag proppen ud

Før rengøring eller vedligeholdelse, skal du altid trække stikket ud af stikkontakten.

Brug ikke opløsningsmidler eller slibende rengøringsmidler

Brug ikke opløsningsmidler eller slibende rengøringsmidler til rengøring af udvendige dele og gummidelene på opvaskemaskinen. Brug kun en klud med varmt sæbevand. For at fjerne pletter på indersiden, skal du bruge en klud, der er fugtet med vand, lidt eddike eller et rengøringsprodukt, der er beregnet til opvaskemaskiner.

Hvis produktet ikke skal bruges i længere tid

Det anbefales, at gennemføre en vand uden noget i opvaskemaskinen tom, og træk derefter stikket ud af stikkontakten, sluk for vandforsyningen og lad apparatets låge stå på klem. På denne måde holder lågens pakning længere, og det gør at der ikke dannes lugt i apparatet.

Sådan flyttes apparatet

Hvis apparatet skal flyttes, skal du prøve at holde det lodret. Hvis det er absolut nødvendigt, kan det placeres på ryggen.

Pakningerne

En af de ting, der gør at lugt dannes i opvaskemaskinen, er fødevarer, der sidder fast på pakningerne. Regelmæssig rengøring med en fugtig svamp, gør at lugten ikke opstår.

INSTALLATIONSVEJLEDNING

ADVARSEL



Risiko For Elektrisk Stød

Afbryd strømmen inden installation af opvaskemaskine.
Hvis du ikke gør dette, kan det være livsfarligt eller føre til elektrisk stød.

Vigtigt

Rør og elektrisk udstyr skal monteres af fagfolk.

Om Strømtilslutning

ADVARSEL

Af hensyn til din personlige sikkerhed:

- ⌘ Brug ikke forlængerledninger eller stikdåser med dette apparat.
- ⌘ Jordforbindelsen på ledningen må under ingen omstændigheder skæres af eller fjernes.

Elektriske krav

Se den nominelle spænding på typeskiltet, og tilslut opvaskemaskinen til den passende strømforsyning. Brug den påkrævede sikring på 10 A/13 A/16 A. Det anbefales at bruge en sikring eller en afbryder, eller brug et separat kredsløb, der kun bruges til dette apparat.

Elektrisk tilslutning

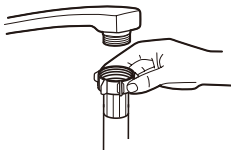
Sørg for, at strømspændingen og strømfrekvensen svarer til den, der står på typeskiltet. Sæt kun stikket i en stikkontakt, der er ordentligt jordforbundet. Hvis stikkontakten, som apparatet skal tilsluttes, ikke passer til stikket, skal du skifte stikkontakten. Undgå, at bruge en adapter eller lignende, da de kan føre til overophedning og brand. Sørg for, at apparatet er ordentligt jordforbundet inden brug.

Vandforsyning Og Dræning

Koldt vandforbindelse

Skrue slangen til kold vand på 3/4" gevindet, og sørg for, at den er ordentligt fastgjort.

Hvis vandrørene er nye eller ikke har været brugt i en længere tid, skal du lade vandet løbe for at sikre, at vandet er rent. Denne forholdsregel er nødvendig for at undgå risikoen for, at vandindløbet blokeres og beskadiger apparatet.



almindelig forsyningslange



sikker forsyningslange

Om den sikre forsyningslange

Den sikre forsyningslange består af to lag. Slangens system garanterer dets indgreb, ved at blokere for vandstrømmen, hvis forsyningslangen går i stykker, eller hvis luftrummet mellem selve forsyningslangen og den udvendige bølgepumpe fyldes med vand.

ADVARSEL

En slange, der fastgøres til en vandhane, kan sprænge, hvis den er installeret på den samme vandledning som opvaskemaskinen. Hvis din vask har en, anbefales det, at slangen tages af og sættes til hullet.

Sådan tilsluttes den sikre forsyningslange

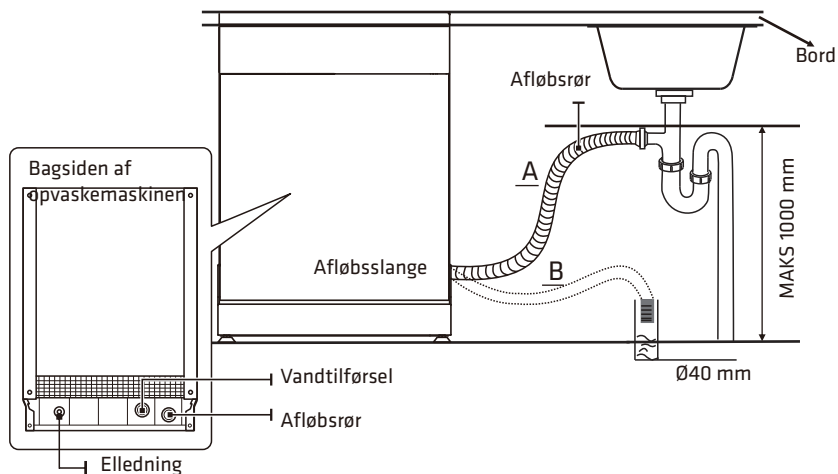
1. Træk den sikre forsyningslange helt ud af opbevaringsrummet bag på opvaskemaskinen.
2. Spænd skruerne på den sikre forsyningslange fast til vandhanen med 3/4" gevindet.
3. Åbn vandet helt, inden du starter opvaskemaskinen.

Sådan afbrydes den sikre forsyningslange

1. Luk for vandet.
2. Skru den sikre forsyningslange af vandhanen.

Tilslutning Af Afløbsslanger

Sæt afløbsslangen i et afløb med en diameter på mindst 4 cm, eller lad den løbe ned i vasken. Undgå, at bøje eller klemme den for meget. Afløbsrøret skal være mindre end 600mm over jorden. Slangens frie ende må ikke nedsænkes i vand, for at undgå tilbagestrømning. Fastgør afløbsslangen sikkert i position A eller position B.



Sådan tømmes overskydende vand i slangerne

Hvis vasken er 1000 mm over gulvet, kan overskydende vand i slanger ikke drænes direkte ned i vasken. Det vil være nødvendigt at tømme overskydende vand i slangerne ned i en skål eller en passende beholder, der holdes uden for og lavere end vasken.

Vandudløb

Tilslut vandafløbsslangen. Afløbsslangen skal være korrekt monteret for, at undgå vandlækager. Sørg for, at vandafløbsslangen ikke trykkes eller klemmes.

Forlængerslange

Hvis du skal bruge en forlænger afløbsslange, skal du sørge for at bruge en lignende afløbsslange.

Den må ikke være over 4 meter, da dette kan reducere opvaskemaskinens rengøringseffekt.

Sifonforbindelse

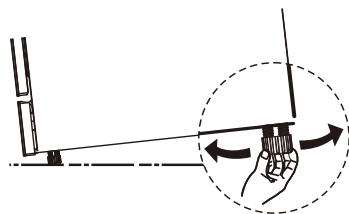
Affaldsforbindelsen skal være i en højde under 100 cm (maks.) fra bunden af opvaskemaskinen. Vandafløbsslangen skal være fastgjort.

Placering Af Apparatet

Placer apparatet på det ønskede sted. Ryggen skal hvile mod væggen bag apparatet og siderne langs siderne på skabet eller væggene. Opvaskemaskinen er udstyret med vandforsynings- og afløbsslanger, der kan placeres enten til højre eller venstre side, for at gøre installationen nemmere.

Sådan nivelleres apparatet

Når apparatet er placeret til nivellering, kan opvaskemaskinens højde justeres med skruefødderne. Apparatet må under ingen omstændigheder hælde mere end 2°.



BEMÆRK:

Gælder kun en fritstående opvaskemaskine.

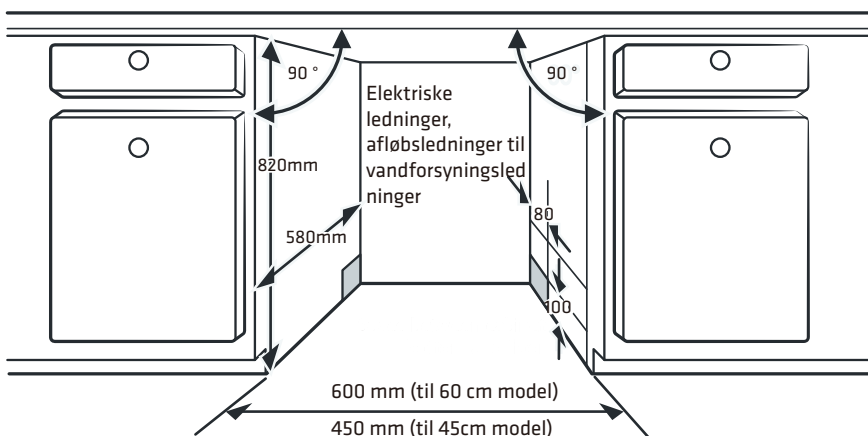
Indbygget opstilling (ved brug af en integrerede model)

Trin 1. Valg af det bedste sted til opvaskemaskinen

Opvaskemaskinen skal placeres i nærheden af ind- og udløbsslangerne og strømkablet.

Billederne af skabets mål og monteringsposition til opvaskemaskinen.

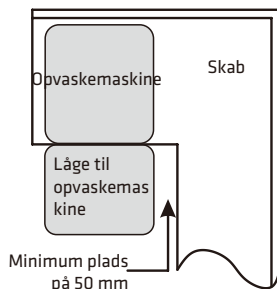
1. Der skal mindst være 5 mm fri plads mellem toppen af opvaskemaskinen og skabet, og den udvendige låge skal passe med skabet.



2. Hvis opvaskemaskinen opstilles i hjørnet af skabet, skal der være plads til at lågen kan åbnes.

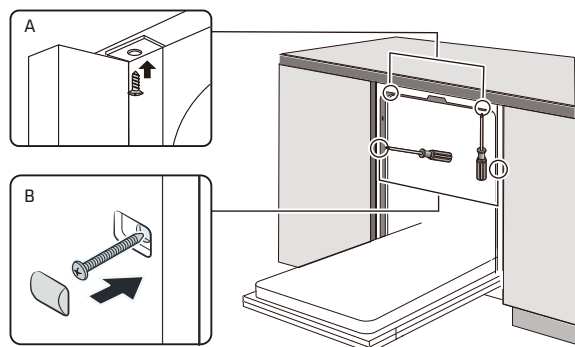
BEMÆRK:

Afhængig af hvor din stikkontakt er, skal du muligvis skære et hul i siden på skabet.



Trin 2. Trin til installation af opvaskemaskinen

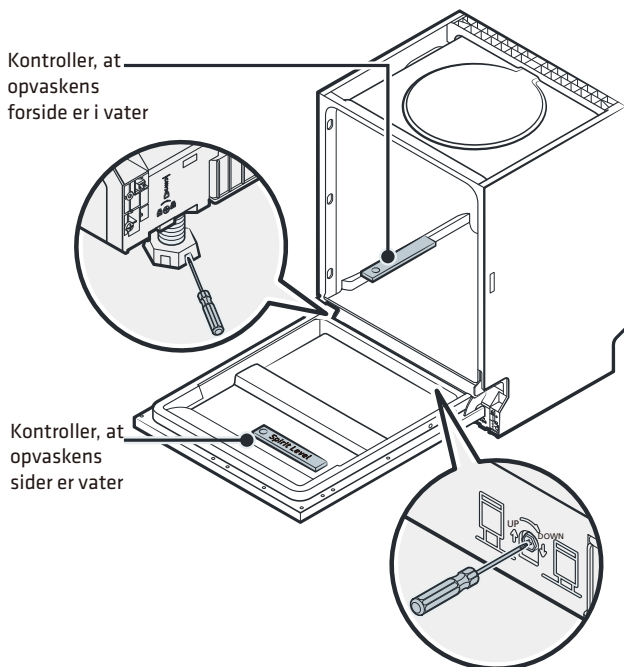
1. Sæt kondensstrimlen fast under arbejdsoverfladen på kabinettet. Sørg for, at kondenseringsstrimlen er plan med arbejdsoverfladen.
2. Tilslut indløbsslangen til koldt vandforsyningen.
3. Tilslut afløbsslangen.
4. Beskyt strømkablet.
5. Placer opvaskemaskinen på dens plads.
6. Juster opvaskemaskinen. De bageste fødder kan indstilles opvaskemaskinens forside, ved at dreje skruen midt på bunden af opvaskemaskinen med en skruetrækker. Brug en flad skruetrækker til at justere forfødderne og drej forbenene, indtil opvaskemaskinen er i vater.
7. Juster lågens fjedre med en unbrakonøgle. Drej den med uret, for at stramme venstre og højre lågefjedre. Hvis dette ikke gøres, kan det beskadige opvaskemaskinen.
8. Opvaskemaskinen skal fastgøres på dens plads. Dette kan gøres på 2 måder:
 - A. Normal arbejdsflade: Sæt monteringskroge ind i hullet på sideplanet og spænd den fast på arbejdsfladen med træskruerne.
 - B. Bordplade af marmor eller granit: Spænd siden fast med skruerne.



Trin 3. Sørg for, at opvaskemaskinen er i vater

Opvaskemaskine skal være i vater for, at tallerkerne står rigtigt og vaskes ordentligt.

1. Se om lågen og skufferne i opvaskemaskinen er i vater med et vaterpas, som vist på billedet.
2. Juster opvaskemaskinen på de tre nivelleringsben.
3. Når du sætter opvaskemaskinen i vater, skal du pas på ikke at vælte opvaskemaskinen.



BEMÆRK:

Den maksimale justeringshøjde på fødderne er 70 mm.

TIPS TIL FEJLFINDING

Før Du Kontakter Kundeservice Vedrørende Reparation

Hvis du gennemgår diagrammerne på følgende sider, kan det spare dig for, at ringe til en serviceudbyder.

Problem	Mulig Årsag	Løsningsforslag
Opvaskemaskine starter ikke	Sikringen er gået eller afbryder er udløst.	Skift sikringen eller nulstil afbryderen. Afbryd alle andre apparater, der bruger det samme kredsløb som opvaskemaskinen.
	Der er ikke tændt for strømforsyningen.	Sørg for, at opvaskemaskinen er tændt, og at lågen er ordentligt lukket. Sørg for, at strømkablet er ordentligt forbundet til stikkontakten.
	Vandtrykket er lavt.	Kontroller, at vandforsyningen er tilsluttet korrekt, og at der er åbnet for vandet.
	Lågen til opvaskemaskinen er ikke ordentligt lukket.	Sørg for at lukke og låse lågen.
Vand pumpes ikke fra opvaskemaskinen	Vreden eller klemt afløbsslange.	Kontroller afløbsslangen.
	Filteret er tilstoppet.	Kontroller det grove filter.
	Køkkenvasken er tilstoppet.	Kontroller køkkenvasken, og sørg for at afløbet ikke er tilstoppet. Hvis problemet er køkkenvasken, der ikke tømmes, skal du muligvis kontakte en blikkenslager i stedet for en servicemand til opvaskemaskiner.
Sæbeskum i opvaskemaskinen	Forkert vaskemiddel.	Brug kun opvaskemiddel, der er beregnet til opvaskemaskiner, så du undgår sæbeskum. Hvis dette sker, skal du åbne opvaskemaskinen og lade skummen fordampe. Tilsæt 3,5 L vand i bundet af opvaskemaskinen. Luk

Problem	Mulig Årsag	Løsningsforslag
		opvaskemaskinens låge, og vælg derefter et vaskeprogram. Opvaskemaskinen starter med at skylle vandet ud. Åbn lågen, når vandet er skyllet ud, og se om skummet er væk. Gentag om nødvendigt.
	Spildt skyllemiddel.	Tør altid spildt skyllemiddel af øjeblikkeligt.
Opvaskemaskinen er farvet indvendig	Der er muligvis brugt vaskemiddel med farvestof.	Sørg for, der ikke er nogen farvestoffer i vaskemidlet.
Hvid film på indersiden	Mineraler fra hårdt vand.	For at rengøre indvendigt, skal du bruge en fugtig svamp med opvaskemiddel og brug gummihandsker. Brug aldrig andet rengøringsmiddel end opvaskemiddel til opvaskemaskinen, da dette kan føre til skumdannelse eller skum.
Der er rustpletter på bestikket	De berørte genstande er ikke korrosionsbestandige.	Undgå at vaske genstande, der ikke er korrosionsbestandige i opvaskemaskinen.
	Et program blev ikke kørt, efter opvaskemaskinesaltet blev tilsat. Spor af salt fra vasken.	Kør altid et vaskeprogram uden noget i opvaskemaskinen efter tilsætning af salt. Vælg ikke med turbo-funktionen (hvis apparatet er udstyret med en) efter tilsætning af opvaskemaskinesalt.
	Låget på blødgøringsenheden er løst.	Kontroller, at låget sidder ordentligt på blødgøringsenheden.
Bankende støj i opvaskemaskinen	En sprøjtearm banker på en genstand i en kurv.	Afbryd programmet, og omarranger genstanden, der er i vejen for sprøjtearmen.
Raslende støj i opvaskemaskinen	Porcelæn sidder løst i opvaskemaskinen.	Afbryd programmet, og omarranger porcelænet.
Slaglyde i vandrørende	Dette kan være forårsaget af	Dette har ingen indflydelse på opvaskemaskinens funktion.

Problem	Mulig Årsag	Løsningsforslag
	installationen på stedet eller rørets tværsnit.	Hvis du er i tvivl, bedes du kontakte en kvalificeret blikkenslager.
Tallerkerne er ikke rene	Tallerkerne er ikke lagt rigtigt i opvaskemaskinen.	Se afsnittet "Forberedelse og ilægning af tallerkner".
	Programmet var ikke kraftigt nok.	Vælg et kraftigere program.
	Der blev ikke brugt nok vaskemiddel.	Brug mere vaskemiddel, eller skift dit vaskemiddel.
	Der er dele, der er i vejen for sprøjtearmene.	Omarranger delene, så sprøjtearmen frit kan dreje rundt.
	Filtersamlingen er ikke ren eller er den er ikke sat rigtigt i på bundet af opvaskemaskinen. Dette kan gøre, at dyserne på sprøjtearmen tilstoppes.	Rengør og/eller sæt filteret rigtigt i. Rengør dyserne på sprøjtearmen.
Hvide pletter på glas	Kombination af blødt vand og for meget vaskemiddel.	Brug mindre vaskemiddel, hvis du har blødt vand, og vælg en kortere vask, når du vasker glas og for at få dem mere rene.
Hvide pletter på tallerkener og glas	Områder med hårdt vand kan forårsage kalkaflejringer.	Tilføj mere vaskemiddel.
Sorte eller grå mærker på tallerkener	Aluminiumsredskaber har gnidet sig op ad tallerkenerne.	Brug en mild slibemiddel til, at fjerne disse mærker.
Der er vaskemiddel tilbage i beholderen	Der er tallerkener i vejen for beholderen med vaskemidlet.	Læg tallerkenerne i igen, så de sidder rigtigt.
Tallerkenerne er ikke tørre	De er lagt forkert i.	Læg tingene i opvaskemaskinen i henhold til instruktionerne.
	Tallerkenerne er tage for tidligt ud.	Tøm ikke opvaskemaskinen umiddelbart efter vask. Åbn

Problem	Mulig Årsag	Løsningsforslag
		lidt lidt, så dampen kan slippe ud. Tag tallerkenerne ud, indtil den indvendige temperatur er lav nok til, at røre opvaskemaskinen. Tøm først den nedre kurv, for at undgå vand fra den øvre kurv.
	Det forkerte program er valgt.	Med et kort program er vasketemperaturen lavere, hvilket reducerer rengøringsydelsen. Vælg et program med en længere vasketid.
	Brug af bestik med en belægning af lav kvalitet.	Det er sværere for vandet at løbe ud med disse genstande. Bestik eller tallerkener af denne type er ikke egnede til vask i opvaskemaskinen.

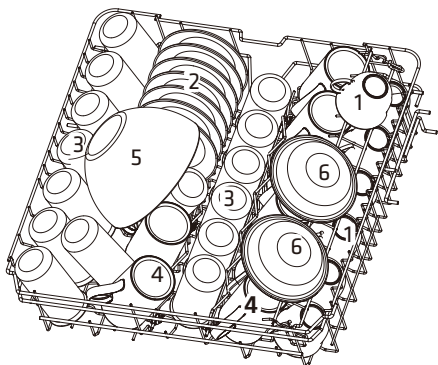
ADVARSEL

Hvis du selv prøver at reparere maskinen, eller hvis den repareres af en amatør, kan det være farligt for brugerens sikkerhed og det påvirker garantien.

OPFYLDNING AF KURVENE I HENHOLD TIL EN60436:

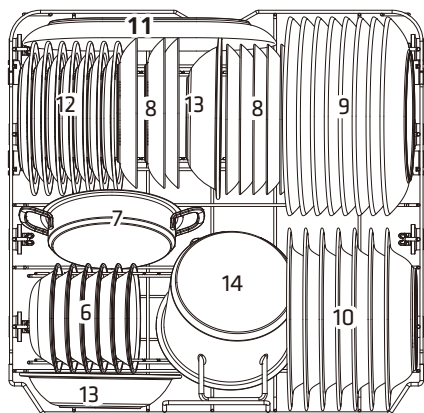
Kurv:

Øvre kurv:



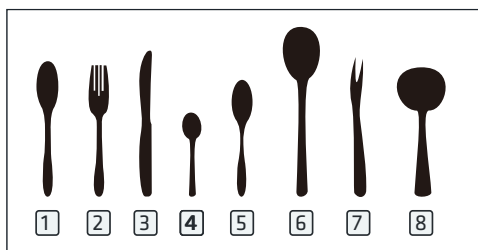
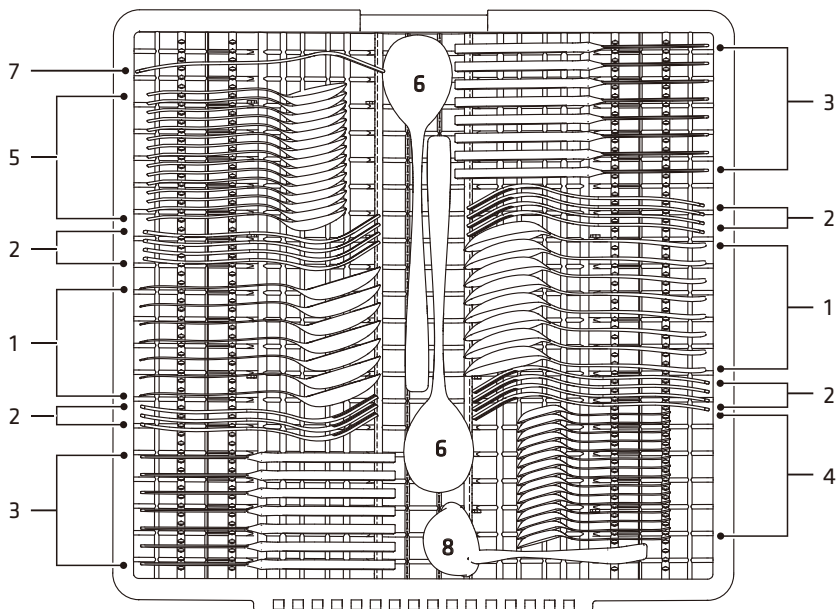
Nummer	Apparat
1	Kopper
2	Underkopper
3	Glas
4	Krus
5	Glaskål
6	Dessertskåle

Nedre kurv:



Nummer	Apparat
7	Ovngryde
8	Desserttallerkner
9	Tallerkener
10	Dybe tallerkener
11	Ovalt fad
12	Desserttallerkener af melamin
13	Skåle af melamin
14	Lille gryde

Bestikskurv:



Oplysninger til sammenligningstest i henhold til EN60436:

Kapacitet: Indstillinger for 15 standard kuverter

Placering af den øvre kurv: Nedre position

Program: ECO

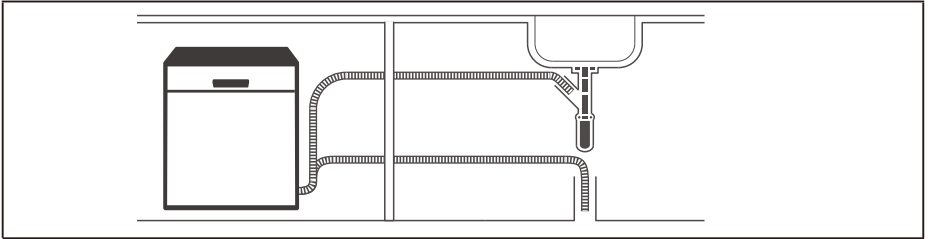
Indstilling af skyllemiddel: Maksimum

Indstilling af blødgøringsenhed: H3

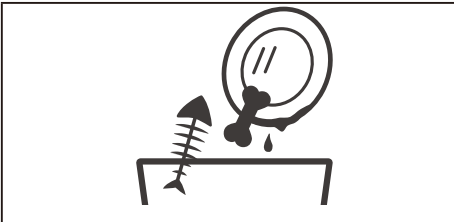
Nummer	Apparat
1	Suppeskeer
2	Gafler
3	Knive
4	Teskeer
5	Dessertskeer
6	Serveringskeer
7	Serveringsgafler
8	Grydeskeer

STARTVEJLEDNING

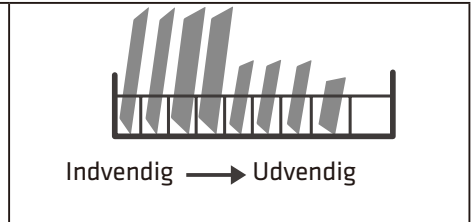
Læs det tilsvarende indhold i brugsanvisningen for flere oplysninger om brug af produktet.



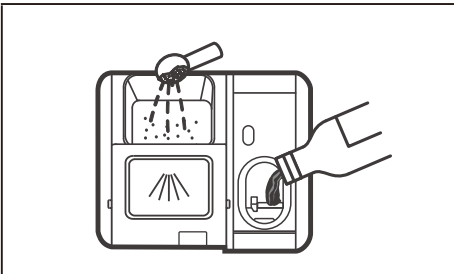
1. Installering af opvaskemaskinen
(Se afsnittet "INSTALLATIONSVEJLEDNING").



2. Fjern store rester på bestikket



3. Opfyldning af kurvene



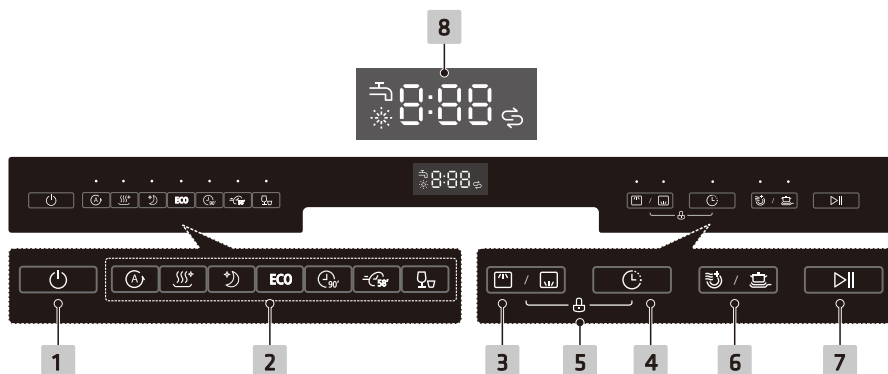
4. Opfyldning af opvaskemiddel i beholderen







5. Valg af et program og kørsel af opvaskemaskinen







SÅDAN BRUGES DIN OPVASKEMASKINE

Betjeningspanel







Betjening (knap)

1 Tænd/sluk	Tryk på denne knap for at tænde og slukke opvaskemaskinen.
2 Program	<p>Tryk på disse knapper for, at vælge det ønskede vaskeprogram, hvorefter indikatoren til programmet lyser.</p> <p> Auto Bruges til let, normalt eller meget beskidt service med eller uden indtørret mad.</p> <p> Hygiejne 72° Dette program hæver vandtemperaturen til 72°C for højtemperatur desinficering.</p> <p> Støjsvag Lavere støj med et normalt energiforbrug. Bruges til vask om aftenen.</p> <p>ECO Energisparefunktion (ECO) Dette er standard programmet, der bruges til normalt snavsede ting, såsom gryder, tallerkener, glas og let snavsede pander.</p> <p> 90 min. Bruges til normalt snavsede ting, der skal vaskes i 90 min.</p>

	 58min. Bruges til normalt snavsede ting, der skal vaskes i 58 min.
	 Hurtig En kortere vask til let snavsede ting, der ikke skal tørres.
3 Alt	<p>Tryk på denne knappe for at vælge kurven foroven eller forneden, hvorefter responsindikatorerne lyser.</p> <p> Foroven Hvis du vælger Foroven, vaskes kun tallerknerne i hylden foroven. Sprøjtesystemet i kurven forneden bruges ikke.</p> <p> Forneden Når du vælger Forneden, vaskes kun tallerknerne i hylden forneden. Sprøjtesystemet i kurven foroven bruges ikke.</p>
4 Udskyd	Tryk på denne knap for, at udskyde vasken. Du kan udskyde vasken i op til 24 timer.
5 Børnesikring	Med børnesikringen kan du låse knapperne på betjeningspanelet - undtagen tænd/sluk-knappen - så børn ikke kan starte opvaskemaskinen ved et uheld ved at trykke på knapperne på panelet. For at låse og oplåse knapperne på betjeningspanelet, skal du holde Alt-knappen + forsinkelsesknappen nede i 3 sekunder på samme tid.
6 Funktion	<p>Tryk på denne knap for at vælge en funktion, hvorefter den tilsvarende indikator lyser. Disse funktioner kan ikke vælges på samme tid.</p> <p> Ekstra vask Bruges til at vaske meget beskidt service, der er svært at gøre rent. (Denne funktion kan ikke bruges med Auto og Hurtig)</p> <p> Ekstra tørring Bruges til at tørre tallerknerne mere. (Denne funktion kan ikke bruges med Auto, Støjsvag og Hurtig)</p>
7 Start/Pause	Bruges til at starte det valgte vaskeprogram eller sætte det på pause, når opvaskemaskinen kører.

Skærm

8 Skærm	 Skyllemiddel Hvis "☼"-indikatoren lyder, betyder det at opvaskemaskinen ikke har meget skyllemiddel tilbage, og der skal fyldes mere på.  Salt Hvis indikatoren "☼" lyser, er der ikke nok opvaskemaskinesalt, og den skal fyldes op.  Vandhaner Hvis "☼"-Indikatoren er tændt, det betyder, at vandhanen er lukket.
	 0:00 Viser programmets resterende tid, udskydningstiden, fejlkoderne osv.

Vandblødgøringsenheden

Vandblødgøringsenheden skal indstilles manuelt på vandhårdhedsskiven. Vandblødgøringsenheden er designet til at fjerne mineraler og salte fra vandet, som har en skadelig og negativ effekt på apparatets drift. Jo flere mineraler vandet indeholder, jo hårdere er vandet. Blødgøringsenheden skal justeres i henhold til hårdheden i vandet i dit område. Din lokale vandmyndighed kan rådgive dig om hårdheden i vandet i dit område.

Justering af saltforbruget

Opvaskemaskinens saltforbrug kan justeres i henhold til hårdheden af vandet, der bruges. Dette er for, at optimere og tilpasse saltforbruget.

Følg nedenstående trin for, at justere saltforbruget.

1. Tænd for apparatet.
2. Hold knappen Hurtig nede i mindst 5 sekunder for at indstille blødgøringsenheden. Dette skal gøres inden for 60 sekunder efter apparatet tændes.
3. Tryk på knappen Hurtig igen for at vælge den rigtige indstilling i henhold til dit lokale miljø. Indstillingerne skifter i følgende rækkefølge: H3->H4->H5->H6->H1->H2->H3.
4. Tryk på tænd/sluk-knappen for at afslutte indstillingsfunktionen.

VANDETS HÅRDHED				Vandblødgøringsniveau	Systemet gendannes efter hver X vask ¹⁾	Saltforbrug (Gram/vask)
Tysk °dH	Fransk °fH	Britisk °Clarke	Mmol/l			
0 - 5	0 - 9	0 - 6	0 - 0,94	H1	Ingen gendannelse	0
6 - 11	10 - 20	7 - 14	1,0 - 2,0	H2	10	9
12 - 17	21 - 30	15 - 21	2,1 - 3,0	H3	5	12
18 - 22	31 - 40	22 - 28	3,1 - 4,0	H4	3	20
23 - 34	41 - 60	29 - 42	4,1 - 6,0	H5	2	30
35 - 55	61 - 98	43 - 69	6,1 - 9,8	H6	1	60

1° dH=1.25 ° Clarke=1,78 ° fH=0,178 mmol/l

Fabriksindstillingen: H3

- 1) Hver vask med en gendannelse bruger 2,0 liter vand mere, energiforbruget forøges med 0,02 kWh og programmet tager 4 minutter længere.

Bemærk:

Hvis opvaskemaskinen mangler salt, skal du se afsnittet "Sådan Hældes Saltet I Blødgøringsenheden".

BEMÆRK:

Hvis din model ikke har en blødgøringsenhed, kan du springe dette afsnit over.

Vand forskellige steder har forskellige hårdheder. Hvis der bruges hårdt vand i opvaskemaskinen, dannes aflejringer på service og redskaber.

Apparatet er udstyret med et særligt blødgøringsmiddel, der bruger en saltbeholder, der er beregnet til at fjerne kalk og mineraler fra vandet.

Forberedelse Og Ilægning Af Tallerkener

- ⌘ Det anbefales, at købe redskaber, der må vaskes i opvaskemaskinen.
- ⌘ Bestemte redskaber skal vaskes på et bestemt program med den lavest mulige temperatur.
- ⌘ For at undgå skader, må glas og bestik ikke tages ud af opvaskemaskinen umiddelbart efter programmet er færdig.

Til vask af følgende bestik/tallerkener

Ikke passende:

- ⌘ Bestik med træ, porcelæn eller perlemorhåndtag
- ⌘ Plastartikler, der ikke er varmebestandige
- ⌘ Ældre bestik med limede dele, der ikke er temperaturbestandige
- ⌘ Limede bestikvarer eller tallerkener
- ⌘ Tin eller kobber
- ⌘ Krystalglas
- ⌘ Rustfri genstande, der kan ruste
- ⌘ Træfade
- ⌘ Genstande fremstillet af syntetiske fibre

Begrænset egnethed:

- ⌘ Nogle glastyper kan blive matte, når de har været vasket mange gange
- ⌘ Dele af sølv og aluminium har en tendens til, at få en anden farve under vask
- ⌘ Glaserede mønstre kan falme, hvis de vaskes meget i opvaskemaskinen

Anbefalinger til ilægning af kuverter

Skrab eventuelle store mængder føderester af. Blødgør føderesterne, der er brændt på på pander. Det er ikke nødvendigt at skylle tallerknerne under rindende vand.

For at få det meste ud af din opvaskemaskine skal du følge disse vejledninger.

(Funktioner og udseende af kurvene og bestikkurvene kan variere, afhængig af modellen)

Læg genstandene i opvaskemaskinen på følgende måde:

- ⌘ Genstande som kopper, glas, gryder/pander og lignende skal vende nedad.
- ⌘ Buede genstande, eller genstande med fordybninger, skal lægges skråt, så vandet kan løbe ud.
- ⌘ Alle redskaber skal lægges sikkert i, så de ikke vælter.
- ⌘ Alle redskaber skal placeres på måde, så sprøjtearmene frit kan dreje under vasken.
- ⌘ Genstande med fordybninger, som kopper, glas, pander og lignende skal vendes med åbningen nedad, så vand ikke samler sig i dem.
- ⌘ Tallerkner og bestik må ikke ligge i hinanden eller over hinanden.
- ⌘ For at undgå skader, må glassene ikke røre hinanden.
- ⌘ Lange knive, der lægges i lodret, er en potentiel fare!
- ⌘ Langt eller skarpt bestik, såsom udskæringsknive, skal lægges vandret i kurven.
- ⌘ Undgå, at fylde for meget i din opvaskemaskine. Dette er vigtigt for at opnå gode resultater og et rimeligt energiforbrug.

Bemærk:

Meget små genstande må ikke vaskes i opvaskemaskinen, da de let kunne falde ud af kurven.

Sådan tages tallerknerne ud

For at undgå, at vand drypper fra den øvre kurv ned i den nedre kurv, anbefaler vi, at du først tømmer den nedre kurv, og derefter den øvre kurv.

ADVARSEL



Genstandene er varme! For at undgå skader, må glas og bestik ikke tages ud af opvaskemaskinen i 15 minutter efter programmet er færdig.

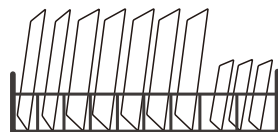
Opfyldning af den øvre kurv

Den øverste kurv er designet til at indeholde mere delikate og lettere genstande, såsom glas, kaffe- og tekopper og underkopper, såvel som tallerkener, små skåle og ikke dybe pander (så længe de ikke er for beskidte). Placer tallerkener og køkkengrej, så de ikke flyttes af vandstrålerne.



Opfyldning af den nedre kurv

Vi anbefaler at du placerer store og beskidte genstande i den nedre kurv, såsom gryder, pander, låg, serveringsskåle og skåle, som vist på billedet til højre. Det anbefales, at placere serveringsskåle og låg på siden af stativerne, så de ikke er i vejen for den øvre sprøjtearm.



Den anbefalede maksimale diameter til tallerkner foran beholderen med vaskemidlet er 19 cm, så den kan åbne uden problemer.

Opfyldning af bestikkurven

Bestik skal placeres i bestikkurven, adskilt fra hinanden. Undgå, at sætte bestik for tæt på hinanden, så de ikke kan rengøres ordentligt.

ADVARSEL



Sørg dog for, at ingen genstande stikker ud på bunden af kurven. Læg altid skarpe redskaber med den skarpe spids nedad!

Brug Af Skyllmiddel Og Opvaskemiddel

Skyllmidlet frigøres under den sidste skylning, så vandet ikke efterlader pletter og striber på dine tallerkener. Det forbedrer også tørringen, da det hjælper vandet med at løbe af tallerkenerne. Din opvaskemaskine er designet til brug med flydende skyllemidler.

ADVARSEL

Brug kun skyllemiddel, der er beregnet til opvaskemaskiner. Fyld aldrig beholderen til skyllemidlet med andre stoffer (fx opvaskemiddel, flydende rengøringsmiddel).

Det kan beskadige apparatet.

Hvornår beholderen til skyllemidlet skal fyldes op igen

Hvor tit beholderen til skyllemidlet skal fyldes op, afhænger af, hvor ofte opvaskemaskinen bruges, og hvilken indstilling, der bruges til skyllemidlet.

⌘ Indikatoren for lav skyllemiddel (⌘) lyser, når der skal fyldes mere skyllemiddel på.

⌘ Overfyld ikke beholderen til skyllemidlet.

Vaskemidlets funktion

De kemiske ingredienser, der sammensætter vaskemidlet, er nødvendige for at fjerne, knuse og udskylle al skidt ud af opvaskemaskinen. De fleste almindeligt tilgængelige rengøringsmidler er egnede til dette formål.

ADVARSEL

Korrekt Brug Af Vaskemidlet

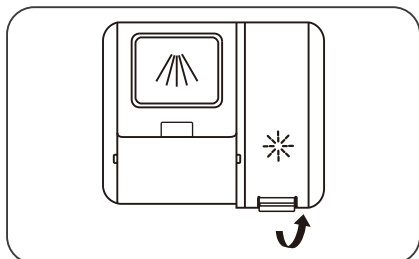
Brug kun vaskemiddel, der er beregnet til opvaskemaskiner. Hold dit vaskemiddel frisk og tør.

Fyld ikke opvaskemiddel i beholderen, før du er klar til at starte opvaskemaskinen.

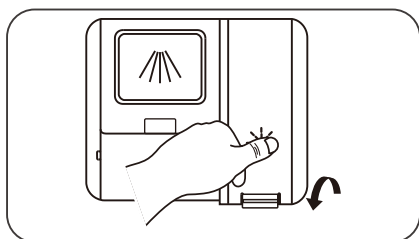


Opvaskemiddel er ætsende! Opvaskemiddel skal holdes utilgængeligt for børn.

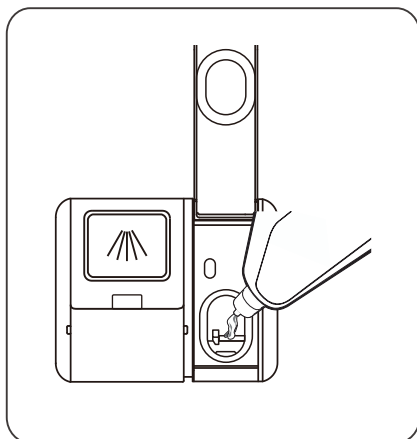
Påfyldning Af Beholderen Til Skyllemidlet



1. Åbn dækslet på skyllebeholderen ved at løfte op i håndtaget.



3. Luk til sidst dækslet.



2. Hæld afspændingsmidlet i beholderen. Undgå, at fylde den for meget op.

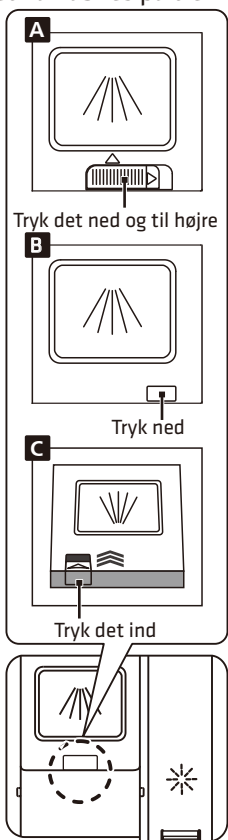
Justering af beholderen til skyllemidlet

For at opnå en bedre tørreevne med begrænset afspændingsmiddel, tilpasser opvaskemaskinen forbruget efter brugeren. Følg nedenstående trin:

1. Luk lågen og tænd apparatet.
2. Når du har tændt apparatet, skal du holde knappen Hurtig nede i mindst 5 sekunder inden for 60 sekunder. Tryk derefter på knappen Udsæt for at gå åbne indstillingerne, hvorefter indikatoren for afspændingsmidlet blinker på en frekvens på 1 Hz.
3. Tryk på knappen Hurtig igen for at vælge den rigtige indstilling i henhold til dit forbrug. Indstillingerne skifter i følgende rækkefølge: d3->d4->d5->d1->d2->d3. Jo højere tallet er, jo mere skyllemiddel bruger opvaskemaskinen.
4. Undgå, at trykke på en knap i 5 sekunder under indstillingen, eller tryk på tænd/sluk-knappen for at afslutte indstillingen.

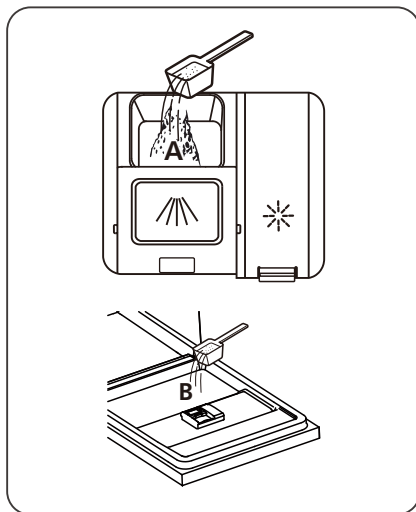
Påfyldning Af Beholderen Til Opvaskemidlet

Dækslet kan åbnes på tre måder:

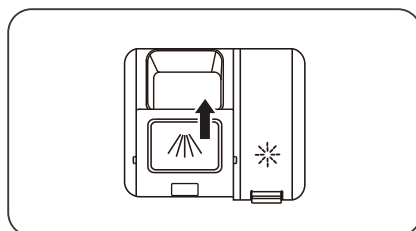


1. Vælg en måde at åbne apparatet på.

- A. Åbn dækslet ved at trykke låsen til siden.
- B. Åbn dækslet ved at trykke låsen ned.
- C. Åbn dækslet ved at trykke låsen ind.



2. Tilsæt opvaskemiddel i den store beholder (A) til hovedvasken. For at opnå et bedre resultat, især hvis du har meget beskidte genstande, skal du hælde en lille mængde vaskemiddel på lågen. Det ekstra vaskemiddel aktiveres under forvasken.



3. Luk lågen ved at trykke den fremad og derefter trykke den nedad.

BEMÆRK:







Følg producentens anbefalinger på vaskemidlets emballage.

PROGRAMMERING AF OPVASKEMASKINEN

Tablet Over Vaskeprogrammerne

Tabellen nedenfor viser, hvilke programmer der er bedst, afhængig af, hvor beskidt genstandene er, og hvor meget vaskemiddel, der skal bruges. Den viser også forskellige oplysninger om programmerne.

● Midler: Der skal fyldes skyllemiddel i beholderen dertil.

Program	Beskrivelse Af Vaskens Forløb	Vaskemiddel Forvask/Hovedvask	Tørretid (min.)	Energy (kWh)	Vand (L)	Skyllemiddel
 Auto	Forvask (45°C)					
	Autovask (55-65°C)	<u>4/19 g</u>	85-150	0,850-1,550	8,5-18,0	●
	Skylning	(1 eller 2 faner)				
	Skylning (50-55°C)					
Tørring						
 Hygiejne 72°	Vask (72°C)					
	Skylning	<u>23 g</u>	215	1,750	14,0	●
	Skylning	(1 eller 2 faner)				
	Skylning (72°C)					
Tørring						
 Støjsvag	Forvask (30°C)					
	Vask (60°C)	<u>4/19 g</u>	270	1,250	13,0	●
	Skylning	(1 eller 2 faner)				
	Skylning (55°C)					
Tørring						
ECO (*EN60436)	Forvask					
	Vask (50°C)	<u>4/19 g</u>	198	0,758	9,8	●
	Skylning	(1 eller 2 faner)				
	Skylning (50°C)					
Tørring						
 90 minutter	Vask (60°C)					
	Skylning	<u>23 g</u>	90	1,350	12,5	●
	Skylning (60°C)	(1 eller 2 faner)				
	Tørring					
 58min.	Forvask (30°C)					
	Vask (60°C)	<u>4/19 g</u>	58	1,050	15,0	●
	Skylning (55°C)	(1 eller 2 faner)				
	Skylning (50°C)					
Tørring						
 Hurtig	Vask (45°C)	<u>12 g</u>	30	0,820	11,2	○
	Skylning (45°C)	(1 fane)				

BEMÆRK:

ECO
 (*EN60436)

Energispareprogrammet (ECO) bruges til vask af normalt beskidt service. Dette program er det mest effektive program i forhold til dets kombinerede energi- og vandforbrug. Det bruges også til at vurdere, om produktet overholder EU's lovgivning for økodesign.

Energibesparelse

1. Ved forskylning forøges vand- og energiforbruget. Dette anbefales ikke.
2. Vask i opvaskemaskinen bruger normalt mindre energi og vand end håndopvask, forudsat at opvaskemaskinen bruges i henhold til producentens anvisninger.

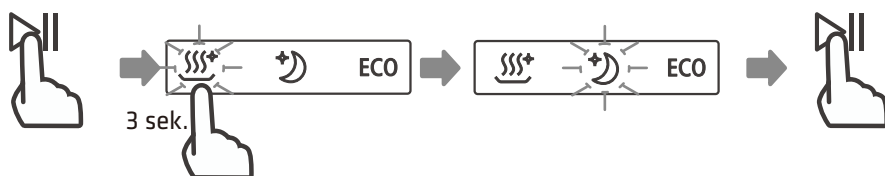
Sådan Startes Et Program

1. Træk den nedre og øvre kurv ud, læg tallerknerne i og sæt dem i igen. Det anbefales at sætte den nedre kurv i først og derefter den øvre kurv.
2. Hæld vaskemidlet i.
3. Sæt stikket i stikkontakten. Strømforsyningsoplysningerne kan findes på typeskiltet. Sørg for, at vandforsyningen er helt åben.
4. Luk lågen, og tryk på tænd/sluk-knappen for at tænde maskinen.
5. Vælg et program, hvorefter den relevante indikator lyser. Tryk på start/pause-knappen, hvorefter opvaskemaskinen starter.

Ændring Af Et Program Halvvejs Gennem Vasken

Et program kan kun ændres kort efter det sættes i gang, da vaskemidlet muligvis er slukket ud, eller vaskevandet med vaskemiddel er muligvis blevet drænet. Hvis dette er tilfældet, skal opvaskemaskinen nulstilles og beholderen til vaskemidlet skal fyldes op igen. Du kan nulstille opvaskemaskinen på følgende måde:

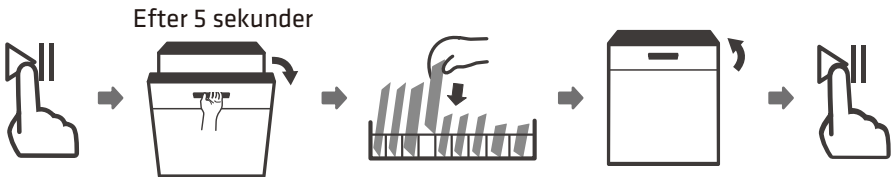
1. Tryk på start/pause-knappen, for at starte vasken.
2. Hold Program-knappen nede i mindst 3 sekunder, hvorefter du kan vælge et program.
3. Du kan ændre programmet til den ønskede indstilling.
4. Tryk på start/stop-knappen. Opvaskemaskinen fortsætter med at køre i 10 sekunder.



Glemte Du Af Putte En Tallerken I?

Det er altid muligt, at lægge en ekstra genstande i opvaskemaskinen inden opvaskemidlet frigives. Hvis dette er tilfældet, skal du følge instruktionerne herunder:

1. Åbn lågen lidt, for at stoppe vasken.
2. Når sprøjtearmene ikke længere kører, kan du åbne lågen helt.
3. Tilføj de ekstra genstande.
4. Luk lågen.
5. Opvaskemaskinen begynder at køre igen.



BEMÆRK:



Det er farligt at åbne lågen midt under vasken, da varm damp kan skolde dig.

Automatisk åbning

Når vasken er færdig, åbnes lågen automatisk for at opnå en bedre tørreeffekt.

BEMÆRK:

Opvaskemaskinens låge må ikke blokeres, når den automatiske åbning bruges. Dette kan forstyrre lågens lås.



FEJLKODER

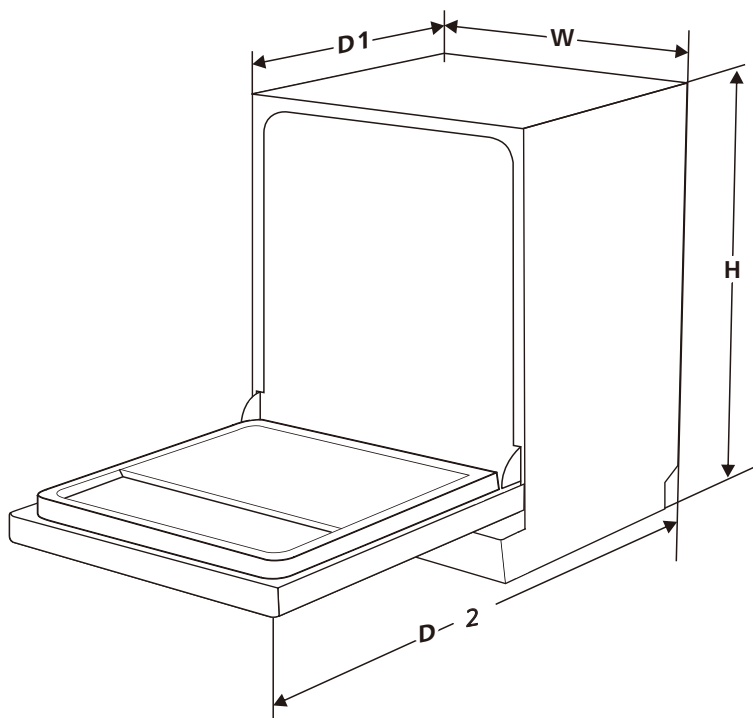
Hvis der opstår en funktionsfejl, vil opvaskemaskinen vise fejlkoder, så fejlen kan findes:

Kode	Betydning	Mulige årsager
E1	Længere indløbstid.	Vandhanen er ikke åben, eller vandindtag er begrænset, eller vandtrykket er for lavt.
E3	Den påkrævede temperatur nås ikke.	Fejl i varmeelementet.
E4	Overløb.	Nogle dele på opvaskemaskinen lækker.
E8	Fordelerventilen vender forkert	Åbent kredsløb eller en beskadiget fordelerventil
Ec	Fejl i vaskemaskinens styresystem	Fejl i printpladen eller i motoren
Ed	Kommunikationssvigt mellem hovedprintpladen og skærmens printplade.	Åbent kredsløb eller løs forbindelse i kommunikationen.

ADVARSEL

- ⌘ Hvis vandet løber over, skal du slukke for hovedvandforsyningen, før du beder om service.
- ⌘ Hvis der er vand i bunden af opvaskemaskinen på grund af en overfyldning eller en lille lækage, skal vandet fjernes, inden opvaskemaskinen startes igen.
- ⌘ Hvis maskinen viser en fejlkode, der ikke kan løses, skal du kontakte en tekniker.

TEKNISKE OPLYSNINGER



Højde (H)	815mm
Bredde (B)	598mm
Dybde (D1)	570mm (med lågen lukket)
Dybde (D2)	1150mm (med lågen 90° åbnet)

Produktoplysningsark (EN60436)

Leverandørens navn eller varemærke: POINT				
Leverandørens adresse ^(b):				
Modelidentifikation: PODW56042W PODW56042X				
Generelle produktparametre:				
Parameter	Værdi	Parameter	Værdi	
Nominel kapacitet ^(a) (stk.)	15	Mål i cm	Højde	82
			Bredde	60
			Dybde	57
EEI ^(a)	43,9	Energieffektivitetsklasse ^(a)	C ^(c)	
Vask-ydelsesindeks ^(a)	1,125	Tørringsydelsesindeks ^(a)	1,065	
Energiforbrug i kWh [per vask], baseret på energispareprogrammet med koldt vand. Det faktiske energiforbrug afhænger af, hvordan produktet bruges.	0,758	Vandforbrug i liter [per vask], baseret på energispareprogrammet. Det faktiske vandforbrug afhænger af, hvordan produktet bruges og vandets hårdhed.	9,8	
Programvarighed ^(a) (t:min)	3:18	Type	Frit stående	
Luftbårne akustiske støjemissioner ^(a) (dB(A) re 1 pW)	42	Luftbåren akustisk støjemissionsklasse ^(a)	B ^(c)	
Slukket (W)	0,49	Standby (W)	Bruges ikke	
Udskudt start (W) (hvis relevant)	1,00	Netværksstandby (W) (hvis relevant)	Bruges ikke	
Korteste garanti, der tilbydes af leverandøren ^(b):				
Yderligere oplysninger:				
Weblink til leverandørens websted, hvor oplysningerne i punkt 6 i bilag II til Kommissionens forordning (EU) 2019/2022 ⁽¹⁾ ^(b) findes:				
<p>(a) blinker hurtigt.</p> <p>(b) ændringer af disse punkter betragtes ikke som relevante med henblik på artikel 4, stk. 4, i forordning (EU) 2017/1369.</p> <p>(c) hvis produkt databasen automatisk genererer det endelige indhold af denne celle, skal leverandøren ikke indtaste disse data.</p>				
<p>(1) Kommissionens forordning (EU) 2019/2022 fra d. 1. oktober 2019 om krav til miljødesign af opvaskemaskiner til husholdningsbrug i henhold til Europa-Parlamentets og Rådets direktiv 2009/125/EF om ændring af Kommissionens forordning (EF) nr. 1275/2008 og om ophævelse af Kommissionens forordning (EU) nr. 1016/2010 (se side 267 i denne udgivelse).</p>				

SPECIFIKATIONER

Model: PODW56042W PODW56042X

Nominal spænding: 220-240V~ 50Hz

Strømforbrug: 1760-2100 W



■
Dette symbol på produktet eller i vejledningen betyder, at det udtjente elektriske eller elektroniske udstyr ikke må bortskaffes sammen med husholdningsaffald. I EU-lande findes der separate genbrugsordninger. Kontakt de lokale myndigheder eller forhandleren for yderligere oplysninger.

Power International AS,
PO Box 523, N-1471 Lørenskog, Norway

Power Norge:
<https://www.power.no/kundeservice/>
T: 21 00 40 00

Power Danmark:
<https://www.power.dk/kundeservice/>
T: 70 33 80 80

Punkt 1 Danmark:
<https://www.punkt1.dk/kundeservice/>
T: 70 70 17 07

Power Finland:
<https://www.power.fi/tuki/asiakaspalvelu/>
T: 0305 0305

Power Sverige:
<https://www.power.se/kundservice/>
T: 08 517 66 000

SÄKERHETSINFORMATION

VARNING

Följ nedanstående försiktighetsåtgärder när du använder diskmaskinen:

- Installation och reparation får endast utföras av en kvalificerad tekniker.
- Den här maskinen är avsedd för användning i hushåll och liknande användningsområden, exempelvis:
 - personalkök i butiker, på kontor och andra arbetsplatser;
 - gårdshotell;
 - av kunder på hotell, motell och andra typer av boendemiljöer;
 - miljöer för uthyrning av rum inklusive frukost.
- Denna maskin får användas av barn från 8 år och uppåt och personer med nedsatt fysisk, sensorisk eller mental förmåga eller av personer som saknar erfarenhet och kunskap om det sker under uppsyn eller om de får anvisningar om hur man använder maskinen på ett säkert sätt och är medveten om riskerna.
- Barn får inte leka med maskinen. Rengöring och underhåll bör inte utföras av barn utan tillsyn (för EN60335-1). Denna maskin är inte avsedd att användas av personer (inklusive barn) med nedsatt fysisk eller mental förmåga eller brist på erfarenhet och kunskap såvida de inte har fått tillsyn eller instruktioner om användning av maskinen av en

person som ansvarar för deras säkerhet (för IEC60335-1).

- Förpackningsmaterial kan vara farliga för barn!
- Den här maskinen är endast avsedd för hushållsbruk inomhus. För att skydda mot risk för elektriska stötar, placera inte maskinen, elkabeln eller kontakten i vatten eller annan vätska.
- Dra ut kontakten innan du rengör eller utför underhåll på maskinen.
- Använd en mjuk trasa som fuktats i milt diskmedel och eftertorka med en torr trasa.

Jordningsanvisningar

- Denna maskin måste jordas. Om det uppstår fel eller maskinen går sönder minskar jordningen risken för elektriska stötar genom att leda elektriciteten på en väg av minimal resistens. Maskinen har en jordledningskontakt.
- Kontakten måste sättas i ett lämpligt installerat och jordat uttag i enlighet med lokala regler och föreskrifter.
- Felaktig anslutning av maskinens jordade kontakt kan leda till risk för elektriska stötar.
- Kontrollera med en kvalificerad elektriker eller servicerepresentant om du är tveksam om maskinen är rätt jordad.
- Modifiera inte kontakten på maskinen om den inte passar i elutaget.
- Låt en kvalificerad elektriker installera ett korrekt

eluttag.

- Missbruka, stå eller sitt inte på diskmaskinens lucka eller diskorg.
- Använd inte diskmaskinen om inte alla paneler är ordentligt på plats.
- Öppna luckan mycket försiktigt om diskmaskinen är igång, eftersom det finns risk att vatten stänker ut.
- Placera inga tunga föremål på eller stå på luckan när den är öppen. Maskinen kan tippa framåt.
- Hur man fyller diskmaskinen:
 1. Placera vassa föremål så att de inte kan skada luckans tätning;
 2. Varning: Knivar och andra redskap med vassa spetsar måste placeras i korgen med spetsarna vända nedåt eller liggande.
- Vissa maskindiskmedel är starkt alkaliska. De kan vara mycket farliga vid förtäring. Undvik kontakt med hud och ögon och låt inte barn komma i närheten av diskmaskinen när luckan är öppen.
- Kontrollera att diskmedelsfacket är tomt efter varje disk.
- Diska inte plastföremål om de saknar "diskmaskinssäker" märkning eller liknande.
- För omärkta plastföremål, kontrollera tillverkarens rekommendationer.
- Använd enbart disk- och sköljmedel som rekommenderas för användning i en automatisk diskmaskin.
- Använd aldrig tvål, tvättmedel eller handdiskmedel

i diskmaskinen.

- Luckan ska inte lämnas öppen, eftersom det kan öka risken för att maskinen tippar.
- Om elkabeln är skadad måste den bytas ut av tillverkaren, dess servicerepresentant eller av motsvarande kvalificerad person för att undvika fara.
- Under installation får elkabeln inte vara överdrivet eller farligt böjd eller tillplattad.
- Manipulera inte reglagen.
- Maskinen får inte anslutas till huvudvattenventilen med nya slangar. Gamla slangar ska inte återanvändas.
- För att spara energi, stängs maskinen automatiskt av efter 15 minuter om den inte används.
Maximalt 15 kuvert kan diskas i maskinen.
Högsta tillåtna tryck på ingående vatten är 1 MPa.
Minsta tillåtna tryck på ingående vatten är 0,04 MPa.

Kassering

- Vänd dig till en återvinningsstation för att kassera förpackningsmaterialet och maskinen. Klipp av elkabeln och gör stängningsmekanismen på luckan oanvändbar.
- Kartongförpackningen är tillverkad av återvunnet papper och ska kasseras som pappersavfall för återvinning.
- Genom att garantera att produkten kasseras rätt,

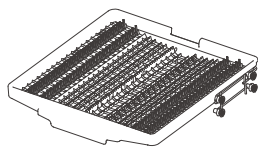
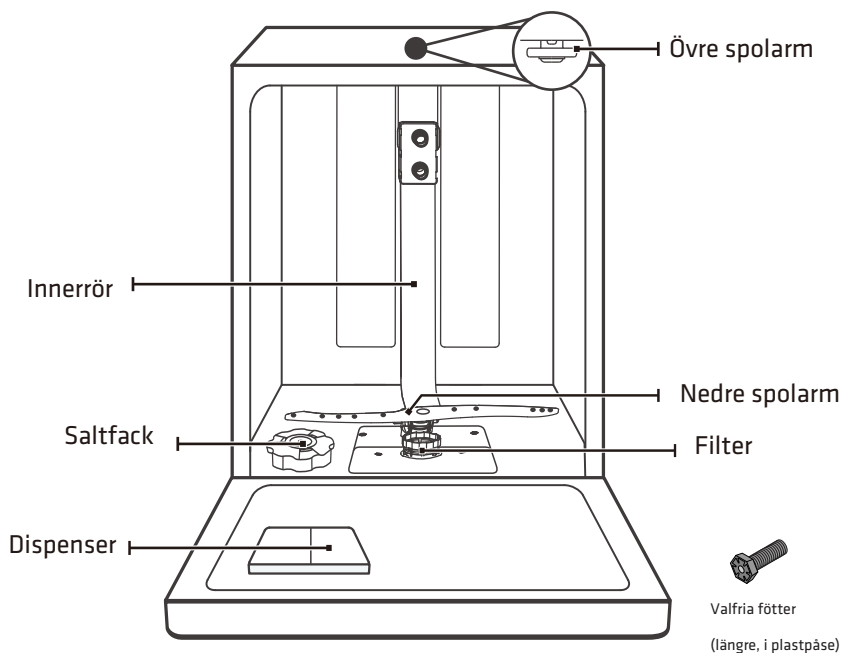
bidrar du till att förhindra negativa konsekvenser för miljön och människors hälsa, som annars kan orsakas genom felaktig avfallshantering av produkten.

- För mer detaljerad information om återvinning av produkten, kontakta din kommun eller avfallshanteringskontor.
- **KASSERING: Släng inte produkten som osorterade kommunala sopor. Insamling av sådant avfall sker separat eftersom den kräver en särskild behandling.**

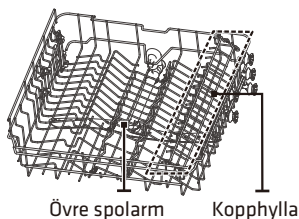
PRODUKTÖVERSIKT

VIKTIGT:

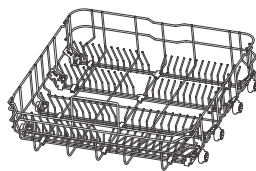
För att få bästa resultat från diskmaskinen, läs hela bruksanvisningen innan du använder den första gången.



Bestickkorg



Övre korg



Nedre korg



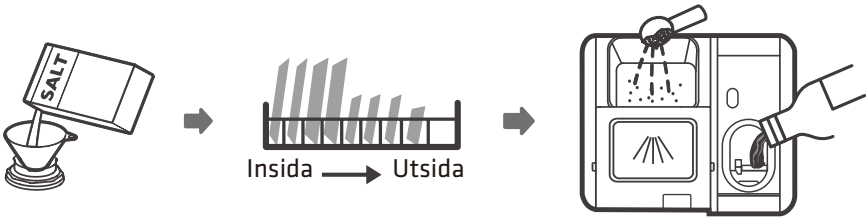
Filterhållare

OBS:

Bilderna är enbart som referens, andra modeller kan vara annorlunda. Den egna modellen har företräde.

ANVÄNDA DISKMASKINEN

Innan du använder diskmaskinen:



1. Montera vattenavhårdaren
2. Fylla på salt i avhårdaren
3. Fylla korgen
4. Fylla dispensern

OBS:

Se avsnitt "Vattenavhårdare". Om du behöver ställa in vattenavhårdaren.

Fylla på salt i avhårdaren

OBS:

Om din modell saknar avhårdare kan du hoppa över detta avsnitt.

Använd alltid salt som är avsett för diskmaskin.

Saltbehållaren finns under korgen och ska fyllas enligt följande beskrivning:

VARNING

⌘ Använd alltid salt som är specialtillverkat för diskmaskin!

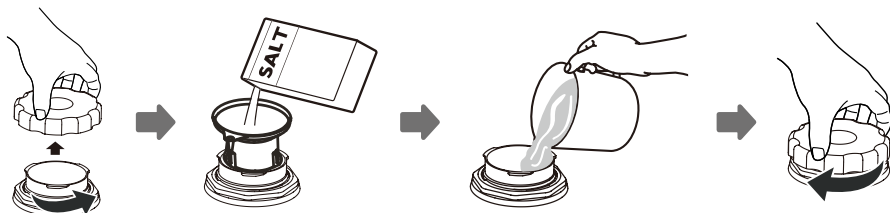
Alla andra typer av salt som inte är tillverkade specifikt för användning i diskmaskin, i synnerhet bordssalt, kommer att skada avhårdaren.

Tillverkarens garanti gäller inte om det uppstår skador till följd av att man använt olämpligt salt, och tillverkaren är heller inte ansvarig för följdskadorna.

⌘ Fyll bara på salt innan du kör ett diskprogram.

Detta kommer att hindra att saltkorn och saltvatten, som kan ha spillts ut, blir kvar på botten av maskinen ett tag, vilket kan orsaka korrosion.

Följ nedanstående steg för att tillsätta diskmaskinssalt:



1. Ta bort korgen och skruva loss behållarens lock.
2. Sätt ner tratten (medföljer) i hålet och häll i ungefär 1 kg diskmaskinssalt.
3. Innan första diskningen ska saltbehållaren fyllas upp till maxgränsen med vatten. Det är normalt att det kommer ut lite vatten ur saltbehållaren.
4. Skruva på locket ordentligt igen när behållaren är fylld.
5. Saltvarningslampan slutar blinka när saltbehållaren har fyllts med salt.
6. Starta ett diskprogram (vi föreslår ett kort program) direkt efter att saltbehållaren har fyllts på med salt. I annat fall kan filtersystemet, pumpen eller andra viktiga delar skadas av salt vatten. Detta täcks inte av garantin.

OBS:

- ⌘ Saltbehållaren får bara fyllas på när saltvarningslampan (☺) i kontrollpanelen tänds. Saltvarningslampan kan fortsätta att vara tänd även efter att saltbehållaren har fyllts på, vilket beror på hur väl saltet löses upp. Om det inte finns någon saltvarningslampa på kontrollpanelen (för vissa modeller), kan du beräkna när det är dags att fylla salt i avhårdaren beroende på hur många diskprogram som diskmaskinen har kört.
- ⌘ Om saltet spills ut, kör ett fördisk- eller snabbprogram för att få bort det.

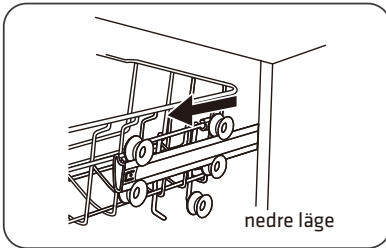
Tips för att använda korgen

Justera den övre korgen

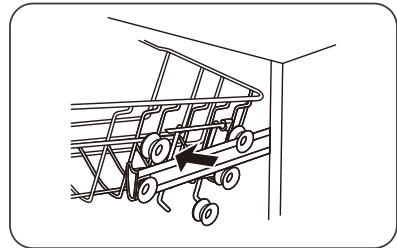
Typ 1:

Höjden på den övre korgen kan enkelt justeras för att passa större disk i den övre eller nedre korgen.

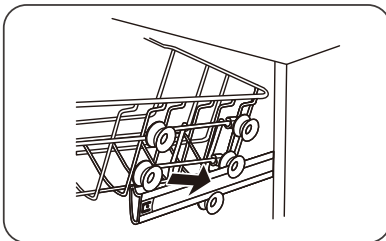
För att justera den övre korgen, följ dessa steg:



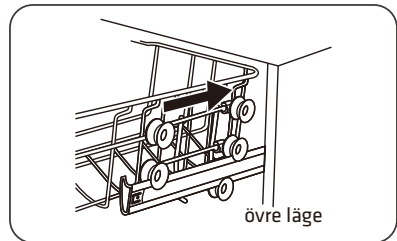
1. Dra ut den övre korgen.



2. Ta ut den övre korgen.

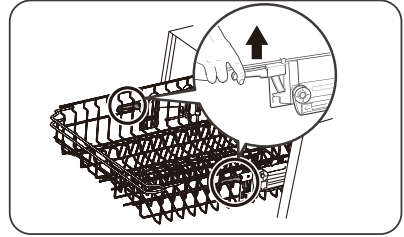
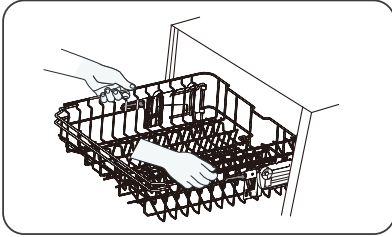


3. Sätt tillbaka den övre korgen på de övre eller nedre hjulen.



4. Tryck in den övre korgen

Typ 2:



1. För att höja den övre korgen lyfter du bara den övre korgen i mitten på vardera sidan tills korgen låses på plats i det övre läget. Det är inte nödvändigt att lyfta justeringshandtaget.
2. För att sänka den övre korgen, lyft justeringshandtagen på vardera sidan för att lossa korgen och sänka den till det nedre läget.

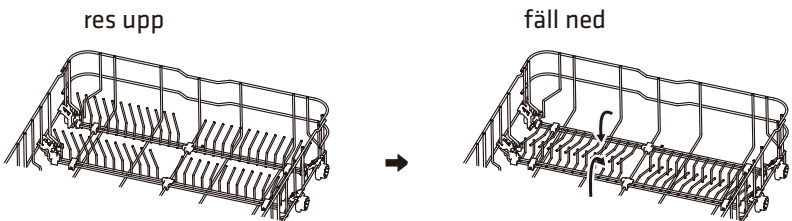
Fälla upp kopphyllorna

Lyft kopphyllan uppåt för att göra plats för större föremål i den övre korgen. Därefter kan du luta höga glas mot den. Du kan också ta bort den om den inte behövs.



Fäll ned ställen

Piggarna används för att hålla fast tallrikar och uppläggningsfat. De kan fällas ned för att ge bättre plats för stora föremål.



UNDERHÅLL OCH RENGÖRING

Yttre Vård

Luckan och lucktätningen

Rengör luckans tätningar regelbundet med en mjuk fuktig trasa för att få bort matrester. När man fyller diskmaskinen kan rester av mat och dryck droppa på sidorna på diskmaskinens lucka. Dessa ytor är på diskmaskinens utsida och nås inte av vatten från spolarmen. Alla rester ska torkas bort innan man stänger luckan.

Kontrollpanelen

Om det krävs rengöring, ska kontrollpanelen enbart torkas av med en mjuk fuktad trasa.

VARNING

- ⌘ För att undvika att vatten tränger in i luckans lås och elektriska komponenter ska inga typer av sprayrengöring användas.
- ⌘ Använd aldrig slipande rengöringsmedel eller skursvampar på utsidan, eftersom de kan repa ytan. Vissa hushållspapper kan också repa eller lämna märken på ytan.

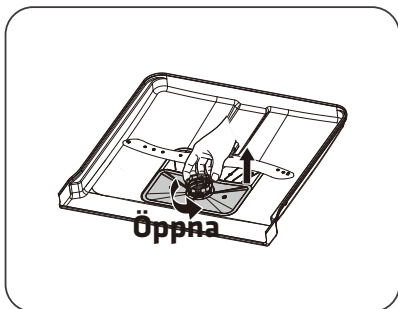
Inre Vård

Filtreringssystem

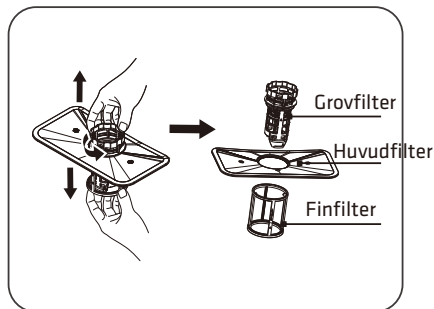
Filtersystemet i botten på diskmaskinen håller kvar smuts från diskprogrammet. Smutsen som är kvar kan täppa till filtret. Kontrollera regelbundet filtrens skick och rengör dem vid behov under rinnande vatten. Följ nedanstående steg för att rengöra filtren i diskmaskinen.

OBS:

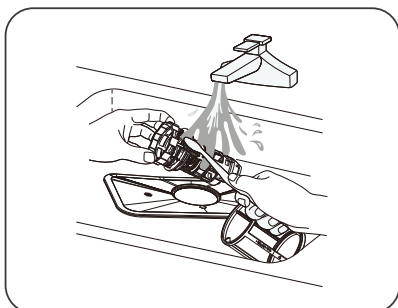
Bilderna är enbart som referens, filtersystem och spolarmar kan vara skilja sig åt på olika modeller. Den egna modellen har företräde.



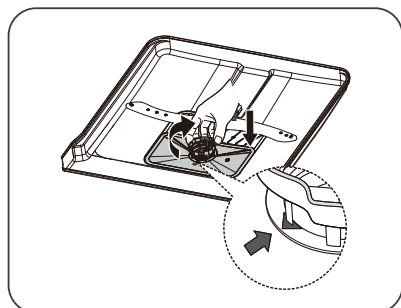
1. Håll i grovfiltret och vrid det moturs för att låsa upp det. Lyft upp filtret och ta ut det ur diskmaskinen.



2. Finfiltret kan dra upp från botten av filterenheten. Grovfiltret kan lossas från huvudfiltret genom att man trycker på flikarna i ovankanten och drar av.



3. Större matrester kan sköljas bort från filtret under rinnande vatten. För en noggrannare rengöring, använd en mjuk diskborste.



4. Sätt tillbaka filtren i omvänd ordning, sätt tillbaka filterinsatsen och vrid medurs till stängningspilen.

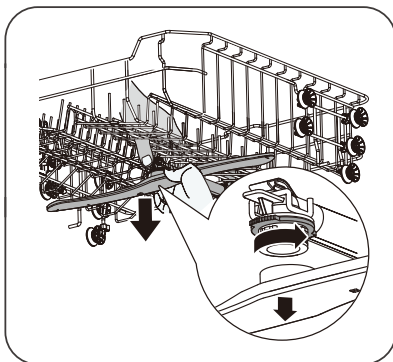
VARNING

- ⌘ Dra inte åt filtren för hårt. Sätt tillbaka filtren ordentligt i rätt ordning, så att inte stora smutsrester kommer in i systemet och täpper till.
- ⌘ Använd aldrig diskmaskinen utan filtren på plats. Om filtren sätts i felaktigt kan maskinens diskresultat försämrats och skada disken och besticken.

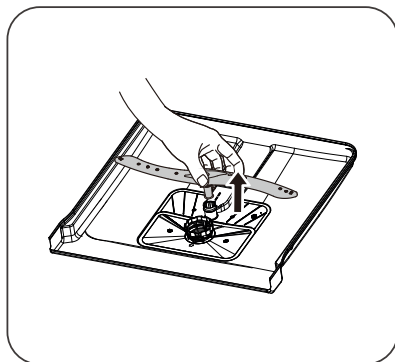
Spolarmar

Spolarmarna måste rengöras regelbundet eftersom hårt vatten och kemikalier täpper till spolarmens munstycken och lager.

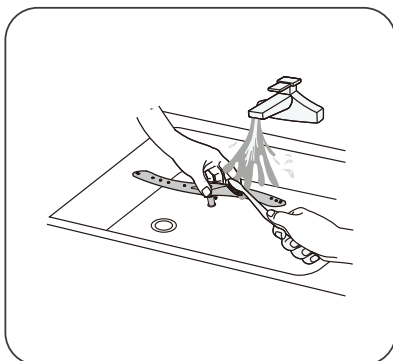
Följ nedanstående instruktioner för att rengöra spolarmarna:



1. Ta bort den övre spolarmen genom att hålla fast muttern i mitten och vrida spolarmen moturs för att ta bort den.



2. För att ta bort den nedre spolarmen, dra ut spolarmen uppåt.



3. Tvätta spolarmarna i diskmedel och varmt vatten och använd en mjuk borste för att rengöra munstyckena. Sätt tillbaka dem när de sköljts noga.

Ta Hand Om Diskmaskinen

Frostskydd

Vidta frostskyddsåtgärder på diskmaskinen på vintern. Gör följande efter varje diskcykel:

1. Stäng av strömmen till diskmaskinen vid strömkällan.
2. Stäng av vattentillförseln och koppla ifrån vattenintagsröret från vattenventilen.
3. Töm vattnet från inloppsröret och vattenventilen. (Använd en kastrull för att samla upp vattnet)
4. Sätt tillbaka vattenintagsröret på vattenventilen.
5. Ta bort filtret i botten av röret och använd en svamp för att suga upp vattnet i sumpen.

Efter varje diskning

Stäng av vattentillförseln och lämna luckan lite öppen efter varje diskning så att fukt och lukt inte samlas inuti.

Ta bort pluggen

Dra alltid ut kontakten ur eluttaget innan rengöring och underhåll.

Inga lösningsmedel eller slipande rengöringsmedel

Använd inte lösningsmedel eller slipande rengöringsprodukter för att rengöra diskmaskinens utsida och gummidelar. Använd enbart en trasa med varmt vatten och diskmedel. Använd en trasa som fuktats i vatten med lite ättika eller en speciell rengöringsprodukt för diskmaskiner för att avlägsna märken och fläckar.

När den inte ska användas på länge

Vi rekommenderar att du kör ett diskprogram med tom maskin och därefter drar ut kontakten. Stäng av vattentillförseln och lämna luckan lite öppen. Det gör att tätningarna håller längre och hindrar att det bildas dålig lukt i maskinen.

Flytta maskinen

Om maskinen måste flyttas, försök att hålla den upprättstående. Den kan läggas på baksidan om det är absolut nödvändigt.

Tätningar

En av orsakerna till att det bildas dålig lukt i diskmaskinen är matrester som fastnar på tätningarna. Regelbunden rengöring med en fuktig svamp hindrar att detta inträffar.

INSTALLATIONSANVISNINGAR

VARNING



Risk för elektriska stötar

Stäng av strömmen innan du installerar diskmaskinen.

Gör man inte detta, kan det orsaka dödsfall eller elektriska stötar.

OBS!

Installationen av rören och elektrisk utrustning ska alltid utföras av fackmän.

Om Elanslutning

VARNING

För personlig säkerhet:

- ⌘ Använd inte förlängningskablar eller en adapterkontakt med denna maskin.
- ⌘ Klipp inte av eller ta bort den jordade kontakten från kabeln under några förhållanden

Elektriska krav

Titta på typskylten för att se märkspänningen och anslut diskmaskinen till det lämpliga eluttaget. Använd den passande säkring 10A/13A/16A, fördröjningsrelä eller krets brytare som rekommenderas, och använd en separat krets som endast försörjer denna maskin.

Elektrisk anslutning

Kontrollera att spänningen och frekvensen motsvarar det som anges på typskylten. Sätt bara i kontakten i ett eluttag som är rätt jordat. Om eluttaget som maskinen ska anslutas till inte passar kontakten, byt ut eluttaget istället för att använda en adapter eller liknande, eftersom de kan orsaka överhettning och brännskador.

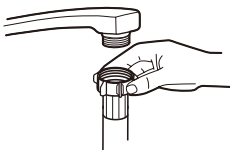
Se till att det finns lämplig jordning före användning.

Vattentillförsel och avlopp

Anslutning av kallt vatten

Anslut tillförselslangen för kallvatten till ett gängat 19,5 mm (3/4 in.) koppling, och se till att den är ordentligt fäst.

Om vattenledningarna är nya eller inte har använts på ett tag, låt vattnet rinna för att säkerställa att vattnet är rent. Denna säkerhetsåtgärd krävs för att undvika risken för att vatteninloppet täpps till och skadar maskinen.



vanlig försörjningsslang



säkerhetsförsörjningsslang

Om säkerhetsförsörjningsslangen

Säkerhetsförsörjningsslangen har dubbla väggar. Slangsystemet garanterar interventionen genom att blockera vattenflödet om inloppsslangen går sönder och när luftspalten mellan inloppsslangen och den yttre korrugerade slangen är full med vatten.

VARNING

En slang som ansluts till ett kranmunstycke kan gå sönder om det monteras på samma vattenledning som diskmaskinen. Om vasken har ett, så bör den slangen kopplas ifrån och hålet täppas till.

Hur man ansluter säkerhetsförsörjningsslangen

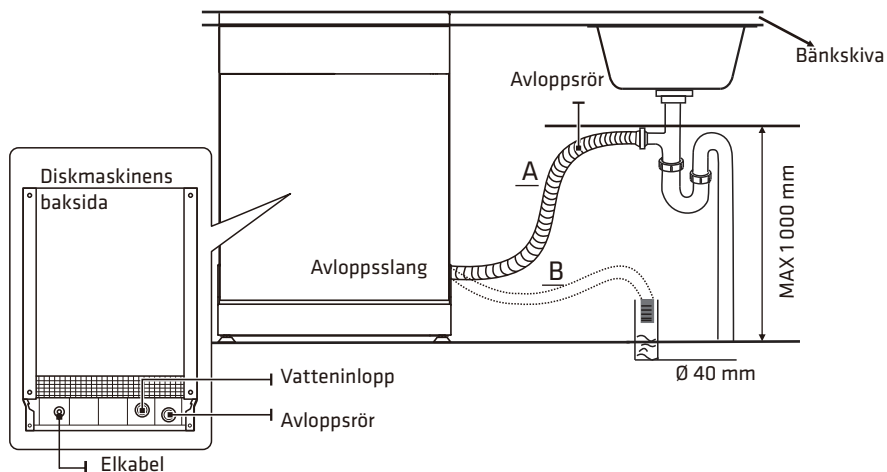
1. Dra ut säkerhetsförsörjningsslangen helt ur förvaringsutrymmet på diskmaskinens baksida.
2. Dra åt skruvarna på säkerhetsförsörjningsslangen till kranen med gängad 19,5 mm (3/4 in.) koppling.
3. Sätt på vattentillförseln innan du starta diskmaskinen.

Hur man kopplar ifrån säkerhetsförsörjningsslangen

1. Stäng av vattnet.
2. Skruva loss säkerhetsförsörjningsslangen från kranen.

Ansluta Avloppsslangar

Sätt in slangen i ett avloppsrör med minst 4 cm diameter eller låt det gå ner i vasken, och se till att det inte finns några veck och krökar på den. Höjden på avloppsröret ska vara högst 600mm. Den fria änden på slangen får inte doppas i vatten för att det inte ska bli återflöde. Fäst avloppsslangen ordentligt i läge A eller läge B.



Avleda överskottsvatten från slangarna

Om vasken är 1 000 mm hög från golvet, kan överskottsvattnet inte släppas ut direkt i vasken. Det blir nödvändigt att avleda överskottsvattnet från slangarna till en skål eller lämplig behållare som man håller utanför och lägre än vasken.

Vattenutlopp

Anslut avloppsslangen. Avloppsslangen måste monteras rätt för att undvika läckande vatten. Se till att avloppsslangen inte är böjd eller klämd.

Förlängnings slang

Om du behöver en förlängning på avloppsslangen måste det vara en avloppsslang av samma typ.

Den ska vara högst 4 meter, annars kan diskmaskinen rengöringseffekt försämrans.

Ansluta hävert

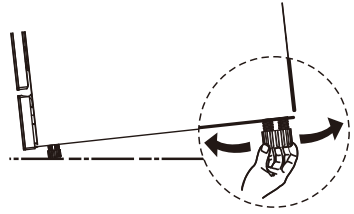
Avloppsanslutningen ska anslutas högst 100 cm från diskmaskinens undersida. Avloppsslangen ska fästas.

Placera Maskinen

Placera maskinen på önskad plats. Baksidan ska stå mot väggen bakom, och sidorna längs skåpen eller väggarna vid sidan om. Diskmaskinen har vattenförsörjnings- och avloppsslangar som kan placeras till höger eller till vänster för att underlätta korrekt installation.

Nivåinställa maskinen

När maskinen placerats för att nivåinställas, kan höjden på diskmaskinen justeras genom att skruva på nivåinställningsfötterna. Maskinen ska under inga förhållanden luta mer än 2°.



OBS:

Gäller enbart fristående diskmaskin.

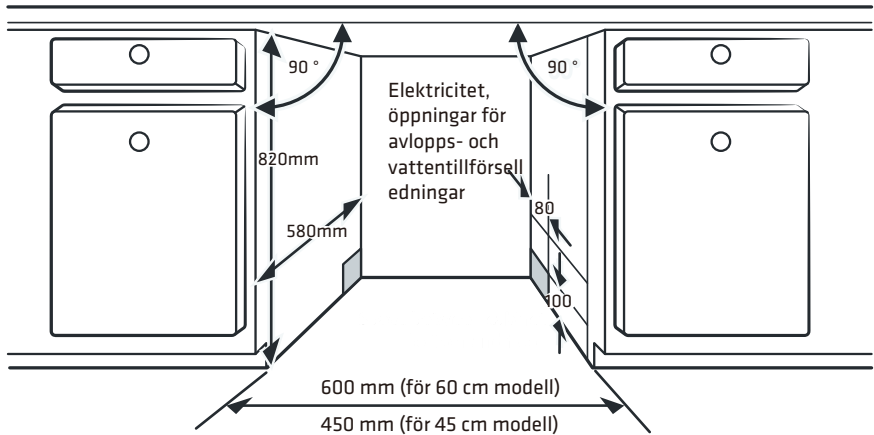
Inbyggnadsinstallation (för inbyggnadsmodell)

Steg 1. Välj bästa platsen för diskmaskinen

Installationsplatsen för diskmaskinen ska vara nära befintliga inlopps- och avloppslangor och eluttag.

Illustrationer över diskmaskinens skåpmått och installationsplats.

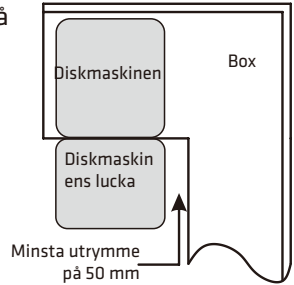
1. Mindre än 5 mm mellan diskmaskinens ovansida och skåpet, och luckans utsida i nivå med skåpet.



- Om diskmaskinen installeras i hörnet på skåpet, så ska det finnas lite utrymme när luckan öppnas.

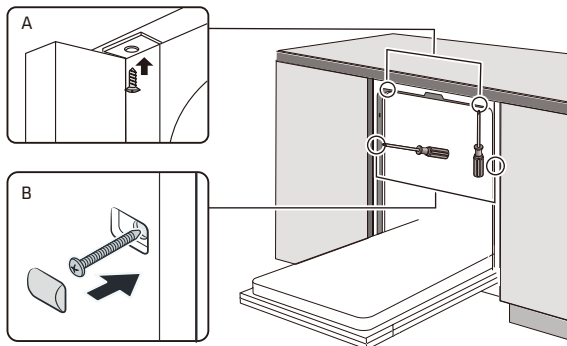
OBS:

Beroende på var eluttaget finns kan du behöva skära ut ett hål i andra sidan på skåpet.



Steg 2. Steg för installation av diskmaskin

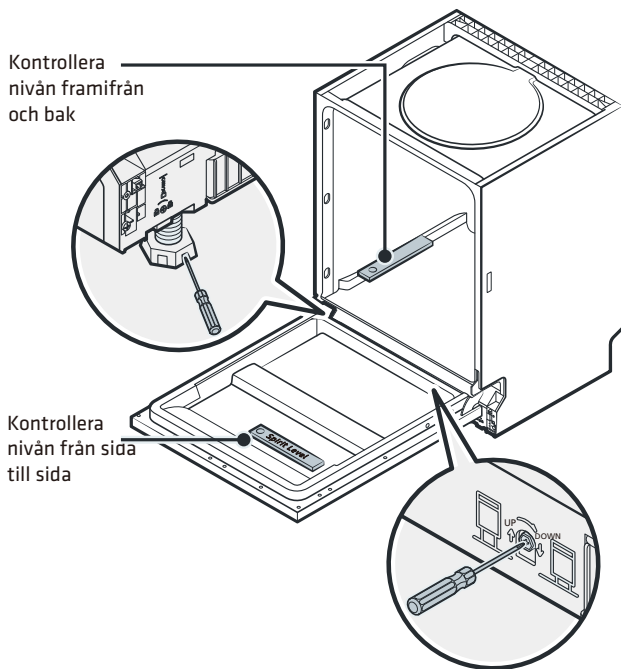
- Fäst kondensremsan under arbetsytan på skåpet. Se till att kondensremsan är i jämnhöjd med arbetsytans kant.
- Anslut inloppsslangen till kallvattenintaget.
- Anslut avloppsslangen.
- Ansluta nätsladden.
- Placera diskmaskinen på sin plats.
- Nivåinställ diskmaskinen. Den bakre foten kan ställas in från maskinens framsida genom att vrida på krysskruven i mitten på undersidan med en krysskruvmejsel. För att justera de främre fötterna, använd en platt skruvmejsel och vrid fötterna tills diskmaskinen står jämnt.
- Justera spänningen i luckans fjädring med en insexnyckel genom att vrida medurs för att dra åt luckans vänstra och högra fjädrer. Gör man inte detta kan diskmaskinen skadas.
- Diskmaskinen måste fästas på plats. Det finns två sätt att göra detta:
 - Normal arbetsyta: Sätt installationskroken i spåret på sidopanelen och fäst den i arbetsytan med träskruvarna.
 - Bänkskiva av marmor eller granit: Fäst sidan med skruvar.



Steg 3. Nivåinställ diskmaskinen

Diskmaskinen måste stå jämnt för att diskkorgen ska fungera och diskresultaten.

1. Placera ett vattenpass på luckan och korgens spår inuti maskinen (se bild) för att kontrollera att diskmaskinen står jämnt.
2. Nivåjustera diskmaskinen genom att justera de tre nivåinställningsfötterna var för sig.
3. Var försiktig när diskmaskinen nivåinställs, så att den inte tippar.



OBS:

Fötternas maximala justeringshöjd är 70 mm.

FELSÖKNINGSTIPS

Innan Du Kontaktar Service

Se diagrammen på följande sidor så behöver du kanske inte ringa efter service.

Problem	Möjliga Orsaker	Vad Ska Jag Göra
Diskmaskinen startar inte	Säkring har gått eller kretsbrytaren har lösts ut.	Byt säkring eller återställ kretsbrytaren. Ta bort alla andra apparater som delar samma krets som diskmaskinen.
	Strömbrytaren är inte påslagen.	Kontrollera att diskmaskinen är påslagen och stäng luckan ordentligt. Kontrollera att kontakten är rätt isatt i eluttaget.
	Lågt vattentryck.	Kontrollera att vattenintaget är anslutet ordentligt och vattnet är på.
	Diskmaskinens lucka är inte riktigt stängd.	Stäng luckan ordentligt så att den låses.
Vatten pumpas inte från diskmaskinen	Snurrad eller klämd avloppsslang.	Kontrollera avloppsslangen.
	Filter tilltäppt.	Kontrollera grovfiltret.
	Köksvasken är tilltäppt.	Kontrollera köksvasken för att se att avrinningen fungerar som den ska. Om problemet är att köksvasken inte släpper ut vattnet, måste du anlita en rörmokare istället för en serviceperson för diskmaskinen.
Lödder inuti maskinen	Fel diskmedel.	Använd endast speciellt maskindisk-medel för att undvika lödder. Om detta inträffar, öppna diskmaskinens och låt löddret avdunsta. Häll 3,5 liter kallt vatten i botten på diskmaskinen. Stäng luckan och välj ett program. Först släpper diskmaskinen ut vattnet. Öppna luckan efter tömningen och kontrollera om

Problem	Möjliga Orsaker	Vad Ska Jag Göra
		löddret har försvunnit. Upprepa vid behov.
	Utspilld spolglans.	Torka alltid upp utspilld spolglans direkt.
Diskmaskinens insida fläckig	Diskmedel med färgmedel kan ha använts.	Kontrollera att diskmedlet inte har färgmedel.
Vit hinna på insidan	Mineraler från hårt vatten.	Använd en gummihandskar och använd en fuktig svamp med maskindiskmedel för att rengöra insidan. Använd inga andra rengöringsmedel än maskindiskmedel eftersom det annars kan bildas skum eller lödder.
Det finns rostfläckar på bestick	De berörda produkterna är inte rostskyddade.	Undvik att diska föremål i diskmaskinen som inte är rostfria.
	Inget program kördes efter att diskmaskinssalt tillsattes. Spår av salt har kommit in i diskcykeln.	Kör alltid ett diskprogram utan disk när salt har tillsats. Välj inte Turbofunktionen (i förekommande fall) när du har tillsatt diskmaskinssalt.
	Locket på avhärderen är löst.	Kontrollera att locket till avhärderen är riktigt stängt.
Knackande ljud i diskmaskinen	En spolarm knackar mot något föremål i korgen.	Avbryt programmet och flytta föremålen som hindrar spolarmen.
Rasslande ljud i diskmaskinen	Föremål är lösa i diskmaskinen.	Avbryt programmet och flytta föremålen.
Knackande ljud i vattenledningarna	Detta kan orsakas av installationen på platsen eller rörens förbindelse.	Detta påverkar inte diskmaskinens funktion. Är du tveksam, kontakta en kvalificerad rörmokare.
Disken blir inte ren	Disken sattes inte in rätt.	Se "Förbereda Och Fylla Disken".
	Programmet var inte tillräckligt kraftfullt.	Välj ett mer intensivt program.
	Inte tillräckligt mycket diskmedel.	Använd mer diskmedel eller byt diskmedel.

Problem	Möjliga Orsaker	Vad Ska Jag Göra
	Föremål blockerar spolarmarnas rörelse.	Flytta föremålen så att spolarmen kan snurra fritt.
	Filterkombinationen är inte ren eller inte rätt isat i botten på diskmaskinen. Det kan orsaka att spolarmens munstycken blockerar.	Rengör och/eller sätt i filtret rätt. Rengör spolarmens munstycken.
Grumlighet på glas	Kombination av mjukt vatten och för mycket diskmedel.	Använd mindre diskmedel om du har mjukt vatten och välj ett kortare program för att diska glas för att få det renare.
Vita fläckar på disk och glas	Område med hårt vatten kan orsaka kalkbeläggningar.	Tillsätt mer diskmedel.
Svarta och grå märken på disken	Aluminiumredskap har gnidits mot disken.	Använd ett mildt slipande rengöringsmedel för att få bort märkena.
Diskmedel kvar i dispenser	Disk blockerar diskmedelsdispenser.	Flytta om disken.
Disken torkar inte	Disken felaktigt placerad.	Fyll diskmaskinen enligt de föreslagna anvisningarna.
	Disk tas ut för snabbt.	Töm inte diskmaskinen direkt efter diskningen. Öppna luckan lite för att släppa ut ångan. Ta inte ut disken förrän innertemperaturen är säker att ta i. Töm den nedre korgen först för att det inte ska droppa vatten från den övre korgen.
	Fel program har valts	Med ett kort program är disktemperaturen lägre, och diskresultatet sämre. Välj ett program med en längre disktid.
	Bestick med beläggning av låg kvalitet.	Avloppet är svårt med dessa föremål. Bestick eller disk av denna typ lämpar sig inte för diskmaskin.

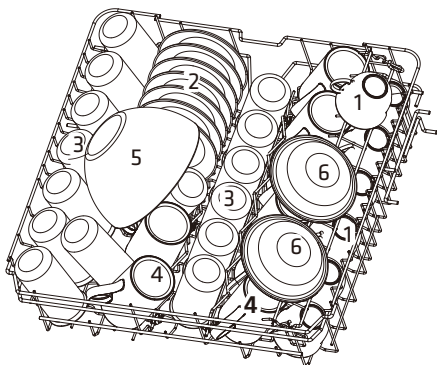
VARNING

Egna eller icke-professionella reparationer kan orsaka allvarliga säkerhetsrisker för användaren av maskinen och göra garantin ogiltig.

FYLLA KORGARNA ENLIGT EN60436:

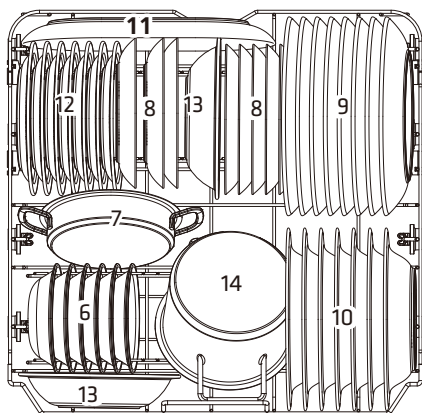
Korg:

Övre korg:



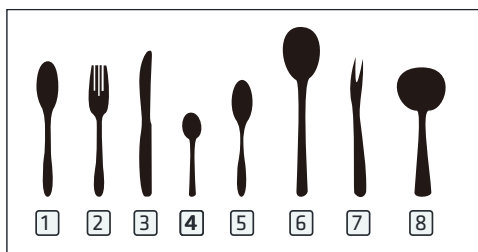
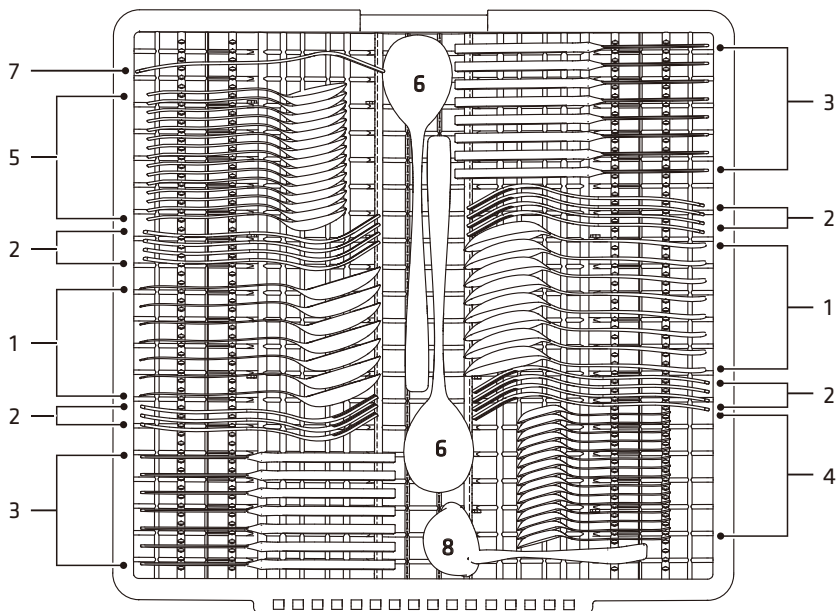
Siffr	Artikel
1	Koppar
2	Te-/kaffefat
3	Glas
4	Muggar
5	Glasskål
6	Dessertskålar

Nedre korg:



Siffr	Artikel
7	Ugnsform
8	Desserttallrikar
9	Middagstallrikar
10	Djupa tallrikar
11	Ovalt fat
12	Desserttallrikar av melamin
13	Melaminskålar
14	Liten kastrull

Bestickkorg:



Information för jämförande test i enlighet med EN60436:

Kapacitet: 15 kuvert

Placera den övre korgen: nedre läge

Program: ECO

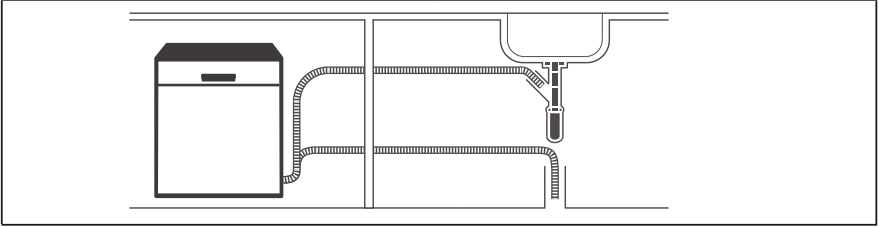
Spolglansinställning: Max

Avhärdarinställning: H3

Sifфра	Artikel
1	Soppskedar
2	Gafflar
3	Knivar
4	Teskedar
5	Dessertskedar
6	Serveringskedar
7	Serveringsgaffel
8	Såssked

SNABBRUKSANVISNING

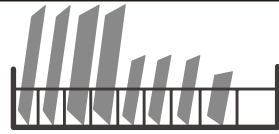
Läs berört innehåll i bruksanvisningen för detaljerad användningsmetod.



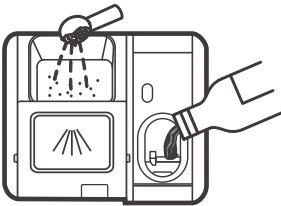
1. Installera diskmaskinen
(Se avsnitt "INSTALLATIONSANVISNING".)



2. Ta bort stora rester på besticken



3. Fylla korgarna



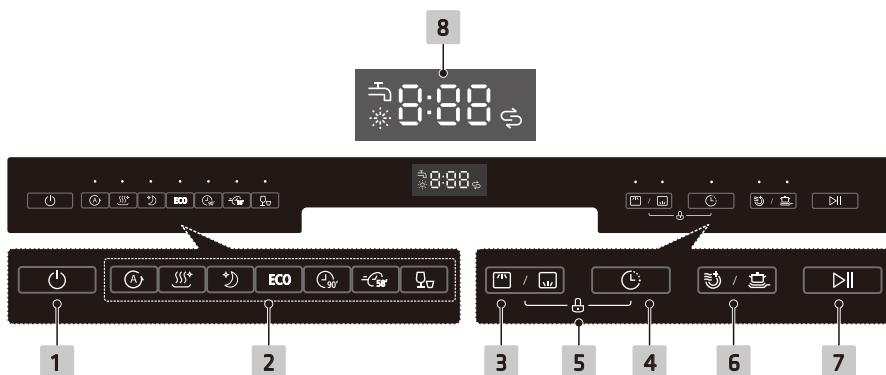
4. Fylla dispensern







5. Välja ett program och köra diskmaskinen







ANVÄNDA DISKMASKINEN

Kontrollpanel






Funktion (knapp)

1 Strömbrytare	Tryck på knappen för att starta eller stänga av diskmaskinen.
2 Program	<p>Tryck på knapparna för att välja lämpligt diskprogram. Indikatorn för det valda programmet tänds.</p> <p> Auto För lätt, normalt eller hårt smutsat porslin med eller utan intorkade matrester.</p> <p> Hygien 72° Detta program höjer vattentemperaturen till 72° C för högtemperaturs desinfektion.</p> <p> Tyst Lägre ljud och normal energiförbrukning, kvällen.</p> <p>ECO ECO Detta är standardprogrammet för normalt smutsad disk som kastruller, tallrikar, glas och lätt smutsade stekjärn.</p> <p> 90 min För normalt smutsad disk som behöver diskas i 90 min.</p>

	 58 min För normalt smutsad disk som behöver diskas i 58 min.  Snabb En kort disk för lätt smutsad disk som inte behöver torka.
3 Alt	<p>Tryck på knappen för att välja den nedre eller den övre korgen, och motsvarande indikatorer tänds.</p> <p> Övre När du väljer övre, kommer bara den övre korgen att diskas. Spolsystemet för den nedre korgen kommer inte att användas.</p> <p> Nedre När du väljer nedre, kommer bara den nedre korgen att diskas. Spolsystemet för den övre korgen kommer inte att användas.</p>
4 Fördröj	<p>Tryck på knappen för att fördröja disktiden. Starten kan fördröjas upp till 24 timmar.</p>
5 Barnlås	<p>Med detta alternativ kan du låsa knapparna på kontrollpanelen, med undantag för strömbrytaren, så att barn inte oavsiktligt kan starta diskmaskinen genom att trycka på knapparna på panelen. För att låsa eller låsa upp knapparna på kontrollpanelen, tryck på knapparna Alt+fördröj samtidigt och håll intryckta i 3 sekunder.</p>
6 Funktion	<p>Tryck på knappen för att välja funktion, motsvarande indikator tänds. Man kan inte välja två funktioner samtidigt.</p> <p> Extra diskning För att diska väldigt smutsig disk, som är svår att få ren. (Den kan inte användas med Auto eller Snabb)</p> <p> Extra Torkning För att torka disk bättre. (Den kan inte användas med Auto, Tyst eller Snabb)</p>
7 Start/Paus	<p>För att starta det valda diskprogrammet eller pausa när diskmaskinen är igång.</p>

Skärm

8 Skärm	<p> Spolglans Om "☼"-indikatorn är tänd betyder det att det är för lite spolglans i diskmaskinen, och det måste fyllas på.</p> <p> Salt Om "S"-indikatorn är tänd betyder det att det är för lite salt i diskmaskinen, och det måste fyllas på.</p> <p> Vattenkran Om "☼"-indikatorn är tänd betyder det at vattenkranen är stängd.</p>
	<p>8:88 För att visa återstående programtid och fördröjningstid, felkod osv.</p>

Vattenavhårdare

Vattenavhårdaren måste ställas in manuellt, med vattenavhårdarens vred. Vattenavhårdaren är utformat för att avlägsna mineraler och salter från vattnet, vilka har en skadlig eller negativ effekt på maskinens funktion. Ju fler mineraler det finns, desto hårdare är vattnet. Avhårdaren ska justeras efter vattnets hårdhet där du bor. Din lokala vattenleverantör kan informera dig om vattnets hårdhet där du bor.

Justera saltförbrukningen

Diskmaskinen är konstruerad för att kunna justera hur mycket salt som används baserat på hur hårt vattnet är. Detta är avsett att optimera och anpassa saltförbrukningen.

Följ nedanstående steg för att justera saltförbrukningen.

1. Starta maskinen.
2. Inom 60 sekunder efter att maskinen startades, tryck på Snabb-knappen i minst 5 sekunder för att öppna inställningsläget för avhårdaren.
3. Tryck på Snabb-knappen igen för att välja rätt inställning beroende på dina lokala förhållanden, inställningen ändras till följande sekvens: H3->H4->H5->H6->H1->H2->H3.
4. Tryck på strömbrytaren för att avsluta inställningsläget.

AVATTENHÅRDHET				Vattenavhårdarnivå	Regenerering inträffar efter var X programsekvens ¹⁾	Saltförbrukning (gram/program)
Tyska °dH	Franska °fH	Brittiska °Clarke	Mmol/l			
0 - 5	0 - 9	0 - 6	0 - 0,94	H1	Ingen regenerering	0
6 - 11	10 - 20	7 - 14	1,0 - 2,0	H2	10	9
12 - 17	21 - 30	15 - 21	2,1 - 3,0	H3	5	12
18 - 22	31 - 40	22 - 28	3,1 - 4,0	H4	3	20
23 - 34	41 - 60	29 - 42	4,1 - 6,0	H5	2	30
35 - 55	61 - 98	43 - 69	6,1 - 9,8	H6	1	60

1° dH=1,25 ° Clarke=1,78 ° fH=0,178 mmol/l

Återställ fabriksinställning: H3

- 1) Varje cykel med en regenereringsfunktion förbrukar ytterligare 2,0 liter vatten, energiförbrukningen ökar med 0,02 kWh och programmet förlängs med 4 minuter.

OBS:

Kontrollera avsnitt "Fylla På Salt I Avhårdaren" om diskmaskinen saknar salt.

OBS:

Om din modell saknar avhårdare kan du hoppa över detta avsnitt.

Vattnets hårdhet varierar mellan olika platser. Om vattnet i ditt område är hårt kommer avlagringar att bildas på disken och redskapen.

Maskinen har en speciell avhårdare som använder en saltbehållare som är speciellt utformad för att avlägsna kalk och mineraler från vattnet.

Förbereda Och Fylla Disken

⌘ Tänk på att skaffa redskap som är diskmaskinsäkra.

⌘ För speciella föremål, välj ett program med lägsta möjliga temperatur.

⌘ För att förhindra skador, ta inte ut glasservis ur diskmaskinen direkt efter att programmet har slutat.

För att diska följande bestick/fat

Inte lämpligt:

⌘ Bestick med handtag av trä, horn, porslin eller pärlemor

⌘ Plastföremål som inte är värmetåliga

⌘ Äldre bestick med limmade delar som inte är värmetåliga

⌘ Hopfogade bestick eller fat

⌘ Tenn- eller kopparföremål

⌘ Kristallglas

⌘ Stålföremål som kan rosta

⌘ Träfat

⌘ Föremål tillverkade av syntetfibrer

Begränsad lämplighet:

⌘ Vissa typer av glas kan bli matta efter många diskningar

⌘ Delar av silver och aluminium har en tendens att missfärgas under diskning

⌘ Glaserade mönster kan blekas om de diskas ofta

Rekommendationer för att fylla diskmaskinen

Skrapa av stora mängder matrester. Blötlägg fastbrända matrester i kastruller. Det är inte nödvändigt att skölja disken under rinnande vatten.

För bästa resultat från diskmaskinen, följ dessa riktlinjer för att fylla maskinen. **(Korgarnas och bestickkorgarnas funktioner och utseende kan variera mellan olika modeller.)**

Placera föremålen i diskmaskinen på följande sätt:

- ⌘ Föremål som koppar, glas kastruller/stekjärn osv. vända nedåt.
- ⌘ Kurviga föremål eller med skrymslen, ska placeras i en vinkel så att vatten kan rinna av.
- ⌘ Alla redskap placeras säkert så att de inte kan välta.
- ⌘ Alla redskap placeras så att spolarmarna kan snurra fritt under diskningen.
- ⌘ Placera håliga föremål som koppar, glas, kastruller osv. med öppningen nedåt, så att vatten inte samlas inuti dem.
- ⌘ Fat och bestickföremål ska inte ligga i varandra eller täcka över varandra.
- ⌘ För att inte glas ska skadas, ska de inte vidröra varandra.
- ⌘ Knivar med långa blad som förvaras stående är en potentiell risk!
- ⌘ Långa och/eller vassa bestick som förskärare, måste läggas horisontellt i korgen.
- ⌘ Överfyll inte diskmaskinen. Detta är viktigt för att få bra resultat och för måttlig energiförbrukning.

OBS:

Mycket små föremål ska inte diskas i diskmaskinen eftersom de lätt kan falla ur korgen.

Ta ut disken

För att hindra vatten från att droppa från den övre korgen ner i den undre, rekommenderar vi att du först tömmer den nedre korgen, och därefter den övre.

VARNING



Föremålen blir varma! För att förhindra skador ska du vänta 15 minuter med att ta ut glas och bestick efter att programmet har slutat.

Fylla den övre korgen

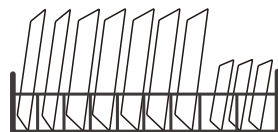
Den övre korgen är konstruerad för att man ska kunna placera ömtåligare lättare kärl som glas, kaffe- och tekoppar med fat, samt tallrikar, små skålar och stekpannor (om de inte är för smutsiga). Placera disken och kokkärlen så att de inte rör sig av vattenstrålen.



Fylla den nedre korgen

Vi föreslår att du placerar de stora och svårdiskade föremålen i den nedre korgen: kastruller, stekjärn, lock, serveringsfat och skålar, som på bilden nedan. Det bästa är att placera serveringsfat och lock på korgarnas sidor så att de inte blockerar den övre spolarmen när den snurrar.

Fat som är större än 19 cm i diameter är inte lämpliga, för att inte hindra att diskmedelsfacket från att öppnas.



Fylla bestickkorgen

Bestick ska placeras separerade från varandra i rätt lägen i bestickkorgen. Undvik att tränga ihop dem för att undvika att de inte blir rena.

VARNING



Låt inga föremål sticka ut på undersidan.
Placera alltid vassa föremål med den vassa spetsen nedåt!

Spolglansens Och Diskmedlets Funktion

Spolglansen släpps ut under den sista sköljningen för att hindra vattnet från att bilda droppar på disken, vilket kan lämna fläckar och streck. Det förbättrar också torkningen genom att vattnet kan rulla av disken. Diskmaskinen är konstruerad för att använda spolglans.

VARNING

Använd enbart märkesspolglans till diskmaskinen. Fyll aldrig spolglansbehållaren med andra ämnen (t.ex. maskindiskmedel, flytande diskmedel).

Det kan skada maskinen.

När man ska fylla på spolglansbehållaren

Hur ofta man behöver fylla på spolglans beror på hur ofta man diskar och vilken spolglansinställning man använder.

☞ Indikatorn för låg spolglans (☼) tänds när det är dags att fylla på spolglans.

☞ Överfyll inte spolglansbehållaren.

Diskmedelsfunktion

De kemiska ingredienserna i diskmedlet behövs för att avlägsna, krossa och sprida ut all smuts i diskmaskinen. De flesta maskindiskmedel av god kvalitet lämpar sig för ändamålet.

VARNING

Korrekt Användning Av Diskmedel

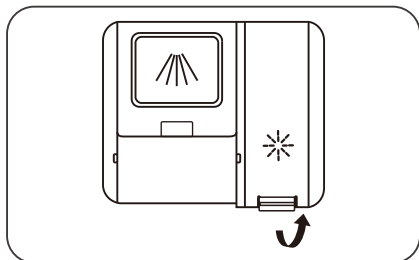
Använd enbart diskmedel som tillverkats speciellt för diskmaskin. Se till att diskmedlet är färskt och torrt.

Fyll inte diskmedelsfacket förrän du är redo att starta diskmaskinen.

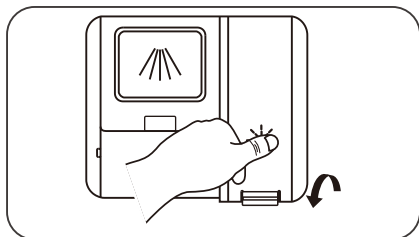


Maskindiskmedel är frätande! Förvara maskindiskmedel utom räckhåll för barn.

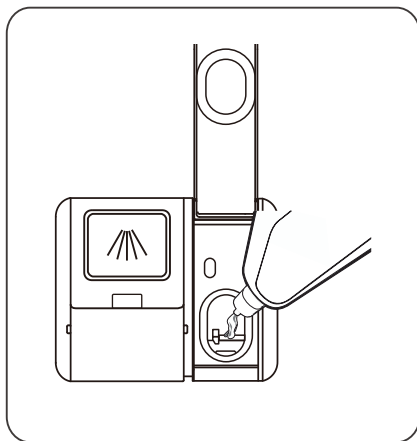
Fylla spolglansbehållaren



1. Ta av locket från spolglansfacket genom att lyfta upp spaken.



3. Stäng locket när du är klar.



2. Fyll behållaren med spolglans, undvika att överfylla.

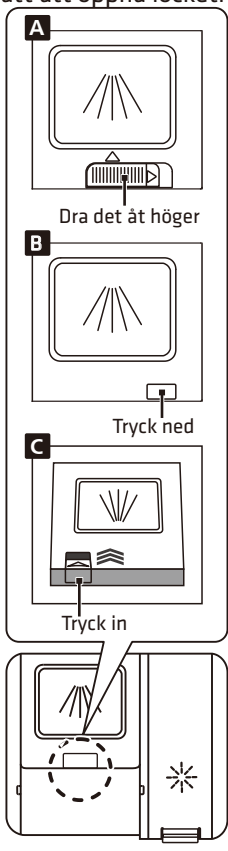
Justera spolglansbehållaren

För att det ska torka bättre med liten mängd spolglans, är diskmaskinen konstruerad för att användaren ska kunna justera förbrukningen. Följ nedanstående steg:

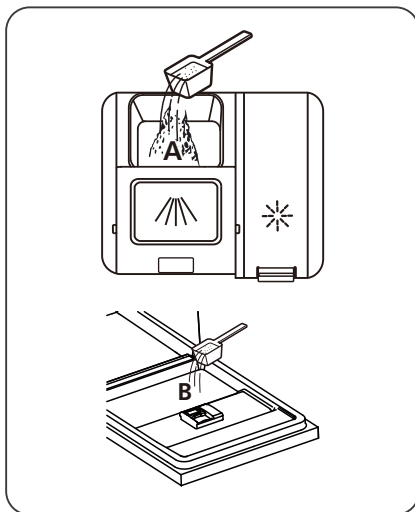
1. Stäng luckan, starta maskinen.
2. När maskinen har startat, tryck på Snabb-knappen i minst 5 sekunder inom 60 sekunder, och tryck på Fördröj-knappen för att öppna inställningsläget, sköljindikatorn blinkar med 1 Hz frekvens.
3. Tryck på Snabb-knappen igen för att välja rätt inställning beroende på dina lokala förhållanden, inställningen ändras till följande sekvens: d3->d4->d5->d1->d2->d3. Ju högre siffra desto mer spolglans använder diskmaskinen.
4. Utan användning i 5 sekunder eller tryck på strömbrytaren för att slutföra inställningen och avsluta inställningsläget.

Fylla På Diskmedelsdispensern

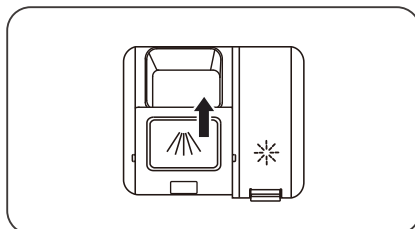
Tre sätt att öppna locket:



1. Välj ett öppet sätt beroende på den faktiska situationen.
- A. Öppna locket genom att dra i regeln.
- B. Öppna locket genom att trycka på regeln.
- C. Öppna locket genom att trycka i regeln.



2. Lägg diskmedel i det större facket **(A)** för huvuddisken. För bättre diskresultat, speciellt om disken är mycket smutsig, håll en liten mängd diskmedel på luckan. Det extra diskmedlet aktiveras under fördiskfasen.



3. Stäng fliken genom att dra den framåt och sedan trycka ned den.

OBS:


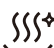




Följ diskmedelstillverkarens rekommendationer på diskmedelsförpackningen.

PROGRAMMERA DISKMASKINEN

Diskprogramtabell

Tabellen nedan visar vilka program som är bäst för mängden matrester på disken och hur mycket diskmedel som behövs. Den visar också olika information om programmen.

● Betyder: måste fylla på spolglans i spolglansbehållaren.

Program	Beskrivning av program	Diskmedel för För-/Huvuddisk	Körtid (min)	Energi (kWh)	Vatten (L)	Spolglans
 Auto	Fördisk (45 °C) Automatisk disk (55-65 °C) Skölj Skölj (50- 55°C) Torkning	$\frac{4/19 \text{ g}}{(1 \text{ eller } 2 \text{ tabletter})}$	85-150	0,850-1,550	8,5-18,0	●
 Hygien 72°	Disk (72 °C) Skölj Skölj Skölj (72 °C) Torkning	$\frac{23 \text{ g}}{(1 \text{ eller } 2 \text{ tabletter})}$	215	1,750	14,0	●
 Tyst	Fördisk (30 °C) Disk (60 °C) Skölj Skölj (55 °C) Torkning	$\frac{4/19 \text{ g}}{(1 \text{ eller } 2 \text{ tabletter})}$	270	1,250	13,0	●
ECO (*EN60436)	Fördisk Disk (50 °C) Skölj Skölj (50 °C) Torkning	$\frac{4/19 \text{ g}}{(1 \text{ eller } 2 \text{ tabletter})}$	198	0,758	9,8	●
 90 min	Disk (60 °C) Skölj Skölj (60 °C) Torkning	$\frac{23 \text{ g}}{(1 \text{ eller } 2 \text{ tabletter})}$	90	1,350	12,5	●
 58 min	Fördisk (30 °C) Disk (60 °C) Skölj (55 °C) Skölj (50 °C) Torkning	$\frac{4/19 \text{ g}}{(1 \text{ eller } 2 \text{ tabletter})}$	58	1,050	15,0	●
 Snabb	Disk (45 °C) Skölj (45 °C)	$\frac{12 \text{ g}}{(1 \text{ tablett})}$	30	0,820	11,2	○

OBS:

ECO:
(*EN60436)

ECO-programmet lämpar sig för att diska normalsmutsad disk, som för detta ändamål är det effektivaste programmet när det gäller energi- och vattenförbrukning, och används för att bedöma efterlevnaden av EU:s ekodesignlagstiftning.

Spara energi

1. Fördiskning av disk leder till ökad vatten- och energiförbrukning, och rekommenderas inte.
2. Att diska servis i hushållsdiskmaskin drar vanligtvis mindre energi och vatten i användningsfasen än handdisk när hushållsdiskmaskinen används enligt instruktionerna.

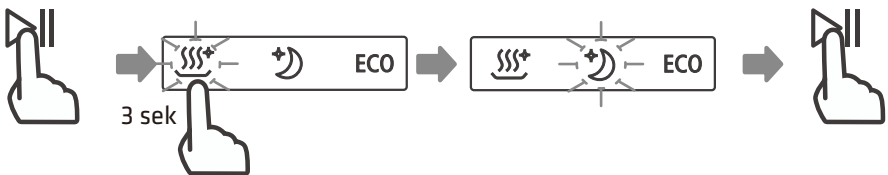
Starta Ett Program

1. Dra ut de nedre och övre korgen och tryck in dem igen. Man bör fylla den nedre korgen först, därefter den övre.
2. Lägg i diskmedlet.
3. Sätt i kontakten i vägguttaget. Strömförsörjningen refererar till produktbladet. Se till att vattentillförseln är på med fullt tryck.
4. Stäng luckan, tryck på strömbrytaren för att starta diskmaskinen.
5. Välj ett program, motsvarande lampa tänds. Tryck därefter på start/paus-knappen så startar diskmaskinen programmet.

Byta diskprogram halvvägs genom ett program

Ett program kan bara ändrad om det bara kört en kort stund, i annat fall kan diskmedlet redan ha lösts upp eller diskvattnet med diskmedlet har redan släppts ut. Då måste diskmaskinen återställas och diskmedelsfacket fyllas igen. Följ nedanstående instruktioner för att återställa diskmaskinen:

1. Tryck på Start/Paus-knappen för att pausa diskningen.
2. Tryck på programknappen i minst 3 sekunder för att maskinen ska öppna programvalsläget.
3. Du kan ändra programmet till önskad cykelinställning.
4. Tryck på knappen Starta/Paus för att diskmaskinen ska fortsätta köra efter 10 sekunder.



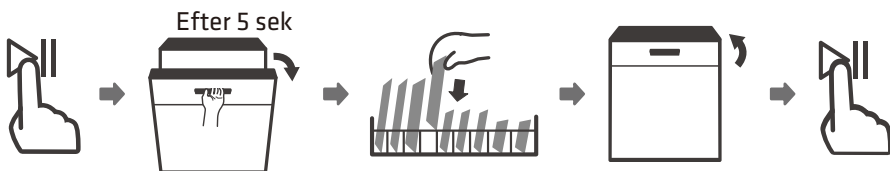
Glömt Sätta In Ett Fat?

Ett kvarglömt fat kan sättas in när som helst innan diskmedelsfacket öppnas.

Följ nedanstående instruktioner om så är fallet:

1. Öppna luckan lite för att stoppa diskningen.

2. När spolarmarna stannar kan du öppna luckan helt.
3. Sätta in den bortglömda disken.
4. Stäng luckan.
5. Diskmaskinen startar igen.



OBS:



Det är farligt att öppna luckan efter halva programmet, eftersom varm ånga kan skälla dig.

Öppna automatiskt

Efter diskningen kommer luckan att öppnas automatiskt för att disken ska torka bättre.



OBS:

Diskmaskinsluckan får inte vara blockerad när man ställer in automatisk öppning. Det kan störa luckans låsfunktion.

FELKODER

Om det uppstår fel visar diskmaskinen felkoder för att kunna identifiera dem:

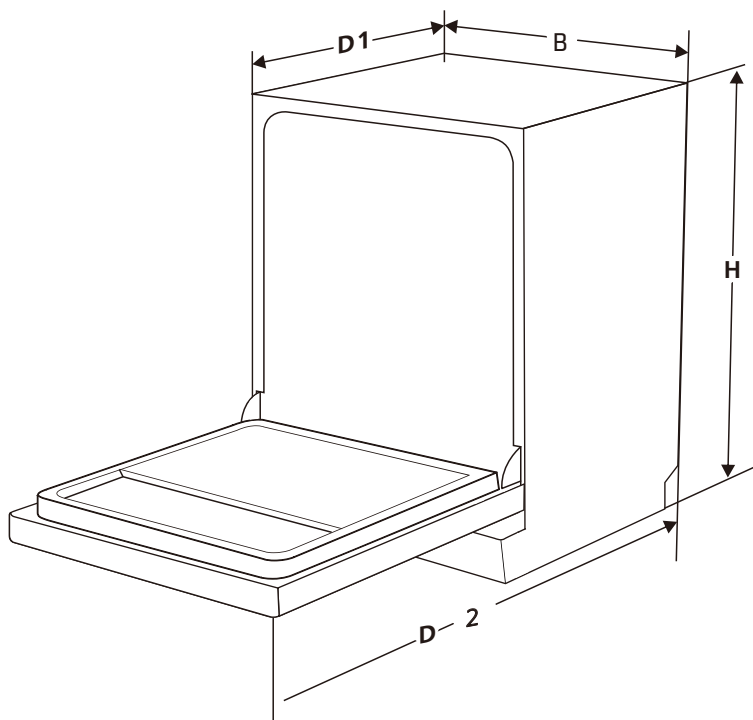
Koder	Betydelser	Möjliga orsaker
E1	Längre inloppstid.	Kranen är inte öppen, vattenintaget är begränsat eller vattentrycket är för lågt.
E3	När inte nödvändig temperatur.	Fel på värmeelement.
E4	Översvämning.	Någon del i diskmaskinen läcker.
E8	Spridningsventilen är felriktad	Öppen krets eller spridningsventilen trasig
Ec	Fel på diskkontrollsystemet	PCB eller motorfel
Ed	Kommunikationsfel mellan	Öppna kretsen eller bryt

	huvudkretskort och displaykretskort.	ledningarna för kommunikationen.
--	--------------------------------------	----------------------------------

VARNING

- ⌘ Om det svämmar över, stäng av huvudvattenkranen innan du ringer efter service.
- ⌘ Om det finns vatten i bottenpannan på grund av en överfyllning eller litet läckage, ska vattnet avlägsnas innan diskmaskinen startas om.
- ⌘ Om det finns en felkod som inte kan lösas, begär professionell hjälp.

TEKNISK INFORMATION



Höjd (H)	815 mm
Bredd (B)	598 mm
Djup (D1)	570mm (med luckan stängd)
Djup (D2)	1150mm (med luckan öppen i 90°)

Produktinformationsblad (EN60436)

Leverantörens namn eller varumärke: POINT				
Leverantören adress ^(b):				
Modellidentifikatorer: PODW56042W PODW56042X				
Allmänna produktparametrar:				
Parameter	Värde	Parameter	Värde	
Nominell kapacitet ^(a) (ps)	15	Mått i cm	Höjd	82
			Bredd	60
			Djup	57
EEI ^(a)	43,9	Energieffektivitetsklass ^(a)	C ^(c)	
Diskeffektivitetsindex ^(a)	1,125	Torkeffektivitetsindex ^(a)	1,065	
Energiförbrukning i kWh [per cykel], baserat på eco-programmet med påfyllning av kallt vatten. Faktisk energiförbrukning beror på hur maskinen används.	0,758	Vattenförbrukning i liter [per cykel], baserat på eco-programmet. Faktisk vattenförbrukning beror på hur maskinen används och vattnets hårdhet.	9,8	
Programmets längd ^(a) (tim: min)	3:18	Typ	Fristående	
Luftburet akustiskt buller ^(a) (dB(A) re 1 pW)	42	Luftburet akustiskt bullerutsläpp klass ^(a)	B ^(c)	
Avstängt läge (W)	0,49	Pausläge (W)	Inte tillgängligt	
Fördröj start (W) (i förekommande fall)	1,00	Nätverksanslutet pausläge (W) (i förekommande fall)	Inte tillgängligt	
Kortaste giltighetsperiod för leverantörens garanti ^(b):				
Ytterligare information:				
Länk till leverantören webbplats, där informationen under punkt 6 i bilaga II till EU-kommissionens förordning 2019/2022 ⁽¹⁾ ^(b) finns:				
(a) för eco-programmet.				
(b) Ändringar av dessa parametrar ska inte anses relevanta för tillämpningen av artikel 4.4 i förordning (EU) 2017/1369.				
(c) Om det slutgiltiga värdet för denna parameter genereras automatiskt från produkt databasen ska leverantören inte ange några värden.				
(1) Kommissionens förordning (EU) 2019/2022 från den 1 oktober 2019 om krav på ekodesign för diskmaskiner i hushåll enligt Europaparlamentets och rådets direktiv 2009/125/EG om ändring av kommissionens förordning (EU) nr 1275/2008 och om upphävande av kommissionens förordning (EU) nr 1016/2010 (se sidan 267 i denna officiella tidning).				

SPECIFIKATIONER

Modell: PODW56042W PODW56042X

Märkspänning: 220-240 V~ 50 Hz

Strömförbrukning: 1760-2100 W



Denna symbol på produkten eller i instruktionerna betyder att dina elektriska och elektroniska apparater ska källsorteras när de är förbrukade och att de inte få slängas i hushållssoporna. Det finns särskilda insamlingssystem för återvinning inom EU. För ytterligare information, kontakta din kommun eller din återförsäljare där du köpte produkten.

Power International AS,
PO Box 523, N-1471 Lørenskog, Norway

Power Norge:
<https://www.power.no/kundeservice/>
T: 21 00 40 00

Power Danmark:
<https://www.power.dk/kundeservice/>
T: 70 33 80 80

Punkt 1 Danmark:
<https://www.punkt1.dk/kundeservice/>
T: 70 70 17 07

Power Finland:
<https://www.power.fi/tuki/asiakaspalvelu/>
T: 0305 0305

Power Sverige:
<https://www.power.se/kundservice/>
T: 08 517 66 000

